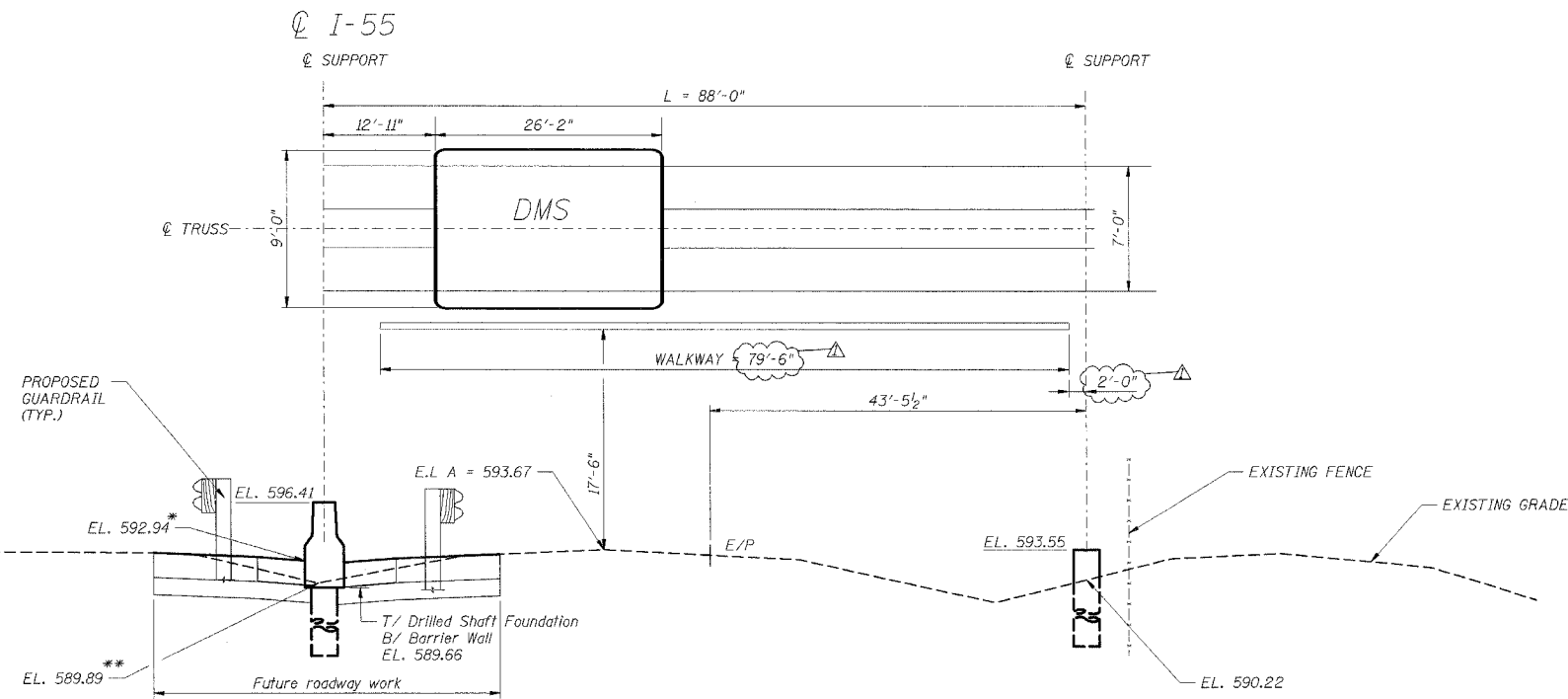


F.A.I. RTE.	SECTION	COUNTY	TOTAL SHEETS	SHEET NO.
55	2005-085 SG	WILL	28	8
STA.		TO STA.		
FED. ROAD DIST. NO.		ILLINOIS FED. AID PROJECT		

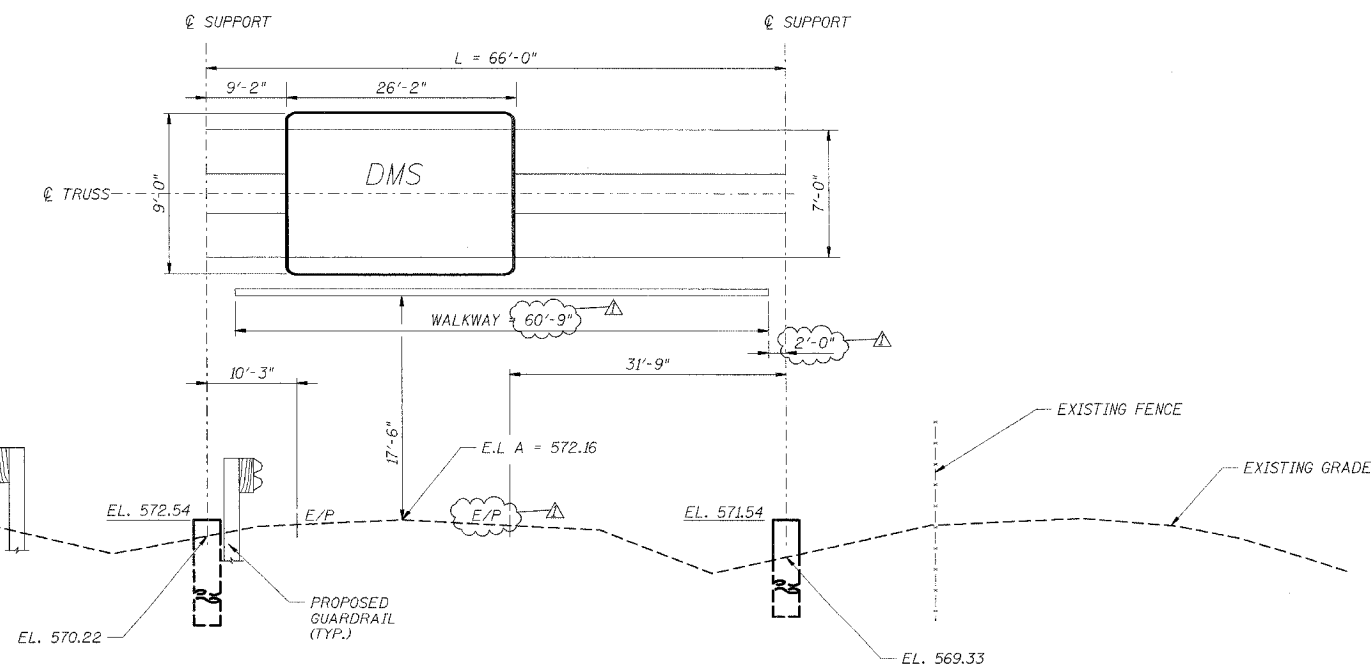


IS099I055R255.26
STA. 469+00
I-55 N.B. LOOKING NORTH

NOTE: SEE PROPOSED DMS PLANS FOR GUARDRAIL LOCATIONS.

* THE HIGHEST ELEVATION WITHIN THE FOUNDATION UNIT, TO BE CONSTRUCTED IN FUTURE CONTRACT.

** EXISTING LOW GRADE ELEVATION



IS099I055R247.37
STA. 59+00
I-55 N.B. LOOKING NORTH

SHT. S-1 OF 15

REVISIONS	
NAME	DATE
MJK	05/05/06

ILLINOIS DEPARTMENT OF TRANSPORTATION
 I-55 ROUTE 55 (I-80 TO U.S. 30)
 DYNAMIC MESSAGING SIGNS

**DMS OVERHEAD STRUCTURES
 GENERAL ELEVATIONS**

SCALE: DRAWN BY MRK
 DATE 03/24/06 CHECKED BY MJK

TENG
 TENG & ASSOCIATES, INC.
 ENGINEERS/ARCHITECTS/PLANNERS
 CHICAGO, ILLINOIS

PLOT DATE = #DATE*
 FILE NAME = #FILES*
 PLOT SCALE = #SCALE*
 USER NAME = #USER*
 S:\DOCUMENT\2005\085\SG\STRUCT\0001\STRUCT\0001\SS04\0001.SHT
 S:\DOCUMENT\2005\085\SG\STRUCT\0001\STRUCT\0001\SS04\0001.SHT
 S:\DOCUMENT\2005\085\SG\STRUCT\0001\STRUCT\0001\SS04\0001.SHT