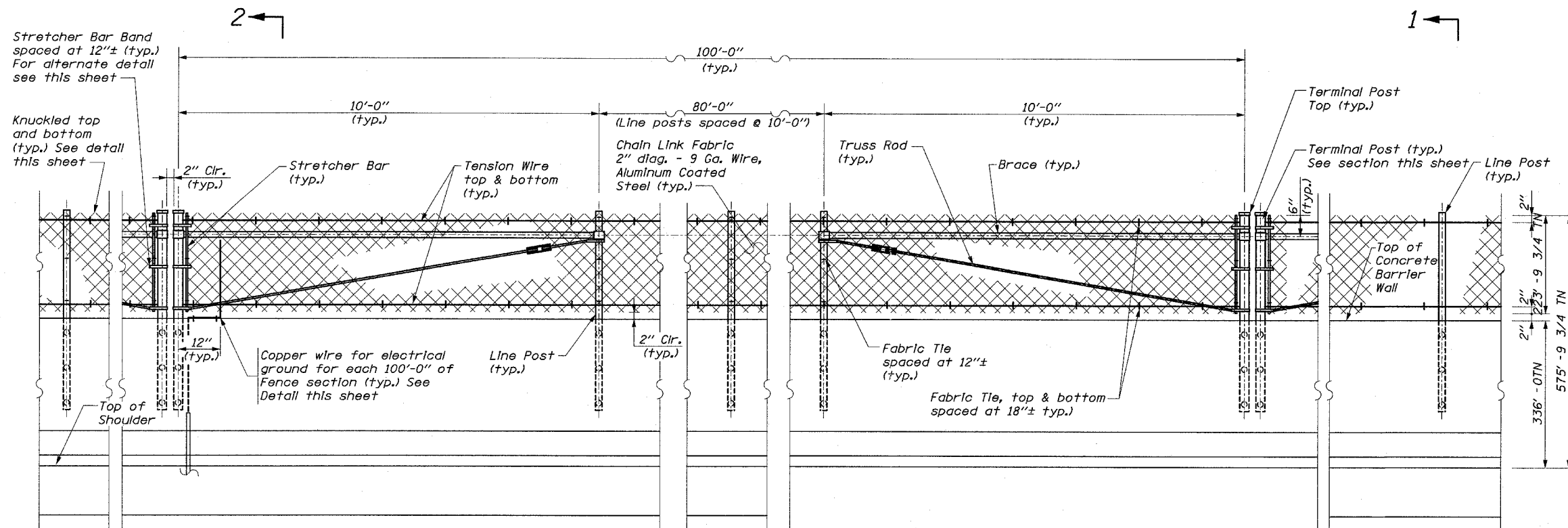
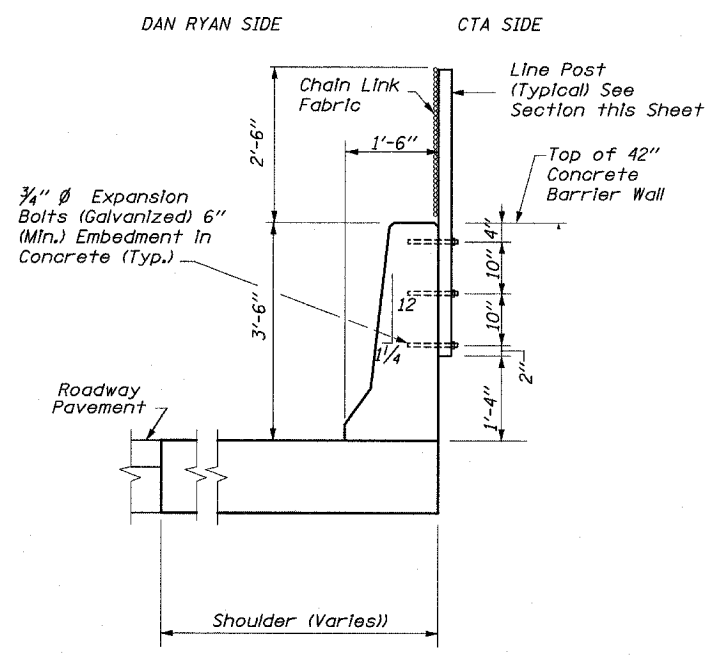


F.A.I. RTE.	SECTION	COUNTY	TOTAL SHEETS	SHEET NO.
94	1818 R-3	COOK	265	57
STA. 2316+00		TO STA. 2367+00		
FED. ROAD DIST. NO.	ILLINOIS	FED. AID PROJECT		

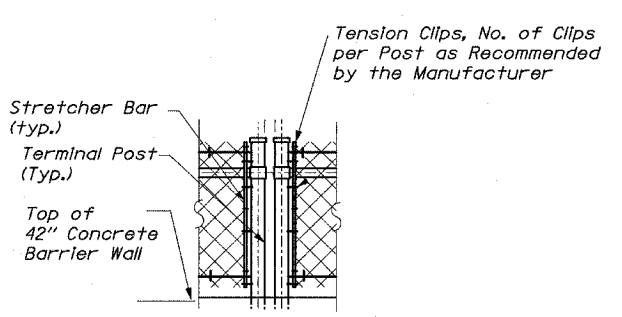
60B17



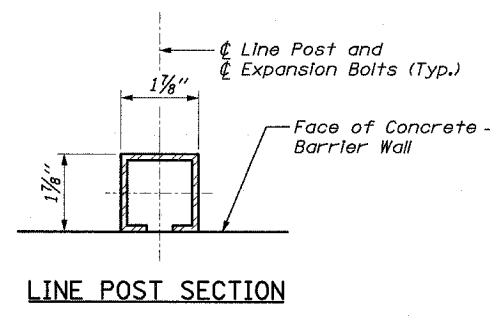
ELEVATION
CTA FENCE ON CONCRETE BARRIER WALL



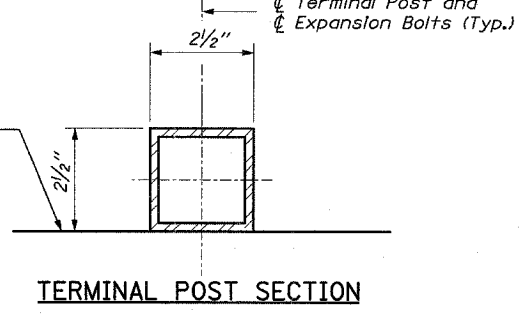
SECTION 1-1



ALTERNATE DETAIL FOR
STRETCHER BAR BAND



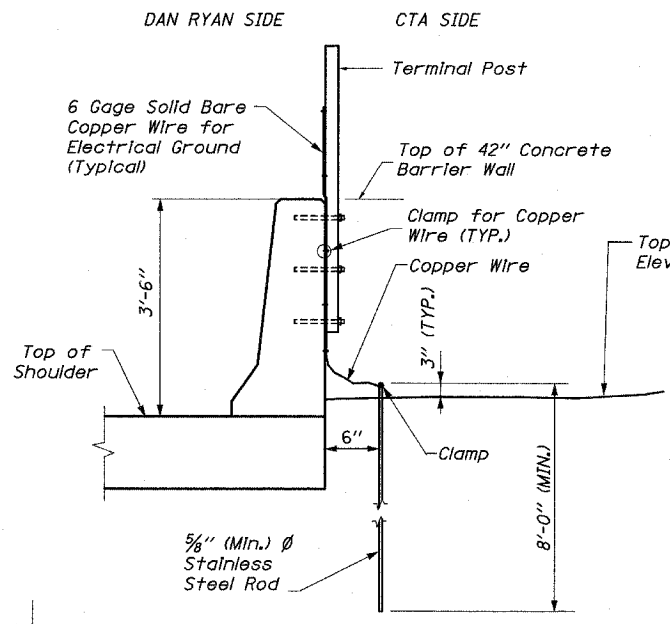
LINE POST SECTION



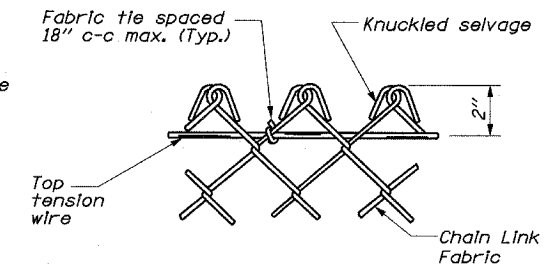
TERMINAL POST SECTION

NOTE:
The Contractor May Use Another C Section as per the Standards of the Illinois Department of Transportation.

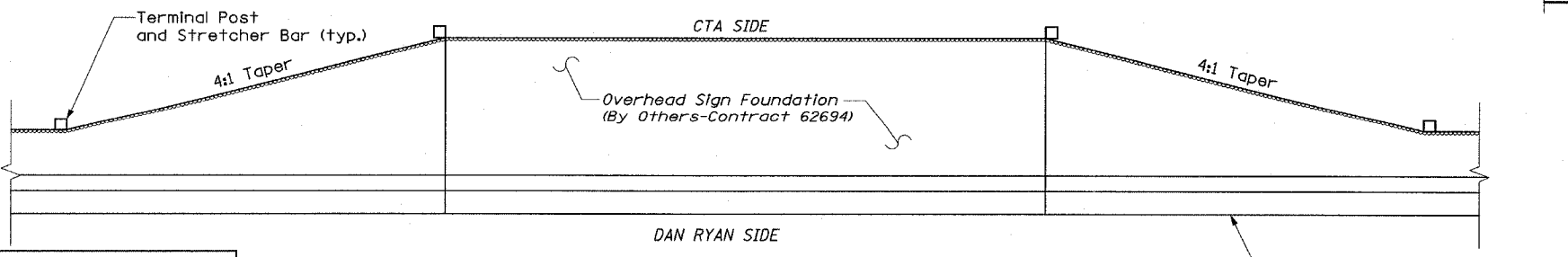
NOTE:
Where the fence meets bridge piers and other vertical structures taller than the fence a maximum gap of 2" clear between the terminal post and the structure shall be provided.



SECTION 2-2
ELECTRICAL GROUND DETAIL



KNUCKLED DETAIL



DETAIL AT OVERHEAD SIGN FOUNDATIONS

Fence, hardware and posts around the overhead sign foundation are paid for as CTA Fence.

REVISIONS	
NAME	DATE

ILLINOIS DEPARTMENT OF TRANSPORTATION
F.A.I. 94 (DAN RYAN EXPRESSWAY)

CTA FENCE
ELEVATIONS AND DETAILS
SHEET 1 OF 3

SCALE: NONE
DATE: MARCH 7, 2006

DRAWN BY: RLK
CHECKED BY: EL

Edwards AND Kelcey
ONE NORTH FRANKLIN
CHICAGO, IL 60606
PHONE: (312) 251-3000
FAX: (312) 251-3015
WEB: WWW.EKCORP.COM

TYLIN INTERNATIONAL