

F.A.I. RTE.	SECTION	COUNTY	TOTAL SHEETS	SHEET NO.
94	1818 R-3	COOK	265	162
STA.		TO STA.		
FED. ROAD DIST. NO.		ILLINOIS FED. AID PROJECT		

60B17

ELECTRICAL SYMBOLS FOR PROPOSED WORK

GENERAL ELECTRICAL CALLOUTS

- LIGHT TOWER FOUNDATION  
NUMBER INSIDE HEXAGON INDICATES TOWER TYPE  
HANDHOLE LOCATION AS INDICATED  
TOWER INSTALLED BY OTHERS,  
UNDER A SEPARATE CONTRACT

TYPE	TOWER HEIGHT
10	100 FEET
11	110 FEET
12	120 FEET
- LIGHT POLE FOUNDATION, SINGLE MAST ARM  
(POLE AND LUMINAIRE (NIC))
- LIGHT POLE FOUNDATION, TWIN MAST ARM  
(POLE AND LUMINAIRE (NIC))
- TEMPORARY LIGHTING UNIT INCLUDING 60 FOOT  
WOOD POLE (CLASS 4), 8'-0" MAST ARM WITH  
400 WATT HPS LUMINAIRE
- POLE FOUNDATION REMOVAL
- LIGHT POLE FOUNDATION WITH GROUND ROD
- ELECTRIC HANDHOLE: TYPE AS INDICATED

TYPE E1: PC CONCRETE, 21.5"x21.5"x30"  
IDOT STANDARD 814001 (NIC)

TYPE E2: PC CONCRETE-HEAVY DUTY, 22"x22"x30",  
IDOT STANDARD 814001 (NIC)

TYPE C1: COMMUNICATIONS VAULT (NIC)

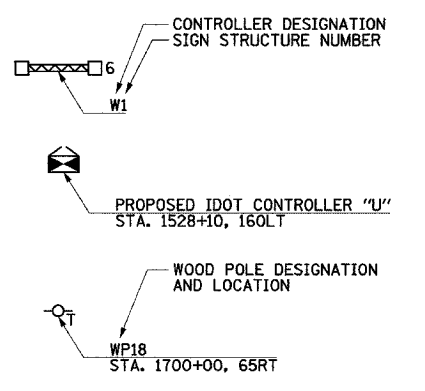
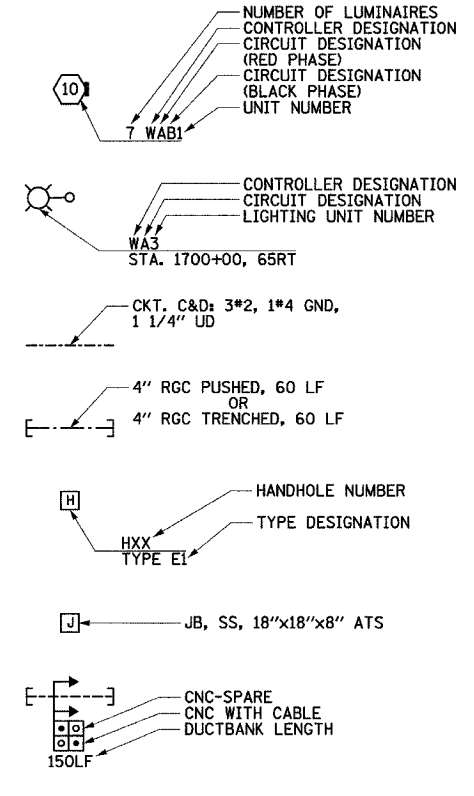
TYPE S1: PC CONCRETE-HEAVY DUTY, 22"x22"x36"

TYPE S1 (SPECIAL): PC CONCRETE-HEAVY DUTY, 22"x22"x36" (NIC)

TYPE S2: PC CONCRETE-HEAVY DUTY SPECIAL,  
30"x30"x36" (NIC)
- JUNCTION BOX: TYPE AND SIZE AS INDICATED  
ON PLANS
- FIBER OPTIC COMMUNICATIONS HUT
- LIGHTED SIGN STRUCTURE-CANTILEVER TYPE  
(NUMBER OF FLUORESCENT FIXTURES AS  
INDICATED WITH ASSOCIATED DISCONNECT  
SWITCH - TYP.) (N.I.C.)

- LIGHTED SIGN STRUCTURE-TRUSS TYPE (N.I.C.)
- TEMPORARY LIGHTED SIGN STRUCTURE-TRUSS  
TYPE, QUANTITY OF LUMINAIRES AS SHOWN  
ON SIGNING PLANS
- LIGHTED SIGN STRUCTURE-BRIDGE MOUNT TYPE (N.I.C.)
- DYNAMIC MESSAGE SIGN (N.I.C.)
- FLASHING BEACON SIGN (N.I.C.)
- CLOSED CIRCUIT TELEVISION CAMERA (N.I.C.)
- MICROWAVE DETECTOR (N.I.C.)
- DETECTOR LOOP
- CONTROLLER CABINET FOUNDATION
- CONTROLLER CABINET FOUNDATION: SURVEILLANCE
- CONTROLLER CABINET FOUNDATION: SURVEILLANCE,  
TYPE 334
- RAMP METER SIGNAL POLE/HEAD FOUNDATION
- RAMP METER FLASHER FOUNDATION
- TEMPORARY WOOD POLE, 50 FOOT LENGTH  
(10 FOOT BURIED, 40 FOOT INSTALLED HEIGHT)
- HIGHWAY ADVISORY RADIO ANTENNA (N.I.C.)
- ELECTRIC UTILITY POLE
- CCTV CAMERA POLE (N.I.C.)

- POLE MOUNTED ELECTRIC UTILITY TRANSFORMER(S)
- PAD MOUNTED ELECTRIC UTILITY TRANSFORMER
- GROUND ROD
- MAIN SERVICE FUSED DISCONNECT SWITCH  
(RATING AS INDICATED)
- EXISTING RACEWAY OR CONDUIT RUN  
AS INDICATED ON PLANS
- RACEWAY EMBEDDED IN STRUCTURE
- RACEWAY OR DIRECT BURIAL CABLE  
UNDERGROUND WITHOUT ENCASEMENT
- RIGID GALVANIZED STEEL CONDUIT  
SLEEVE, TRENCHED OR PUSHED
- UNDERGROUND REINFORCED CONCRETE ENCASED  
CNC DUCTBANK, UNO. (NUMBER AND SIZE OF  
DUCTS AS SHOWN)
- RACEWAY OR CONDUIT IN TRENCH, TYPE AS  
INDICATED ON PLANS
- AERIAL CABLE, REMOVAL
- CONDUIT TURNED DOWN
- CONDUIT TURNED UP



ELECTRICAL SYMBOLS FOR EXISTING CONDITIONS

- EXISTING LIGHTING UNIT, TWIN LUMINAIRE
- EXISTING LIGHTING UNIT
- EXISTING TEMPORARY LIGHTING UNIT
- EXISTING CDOT LIGHTING UNIT
- EXISTING UNDERPASS LUMINAIRE
- EXISTING ELECTRIC HANDHOLE
- EXISTING JUNCTION BOX
- EXISTING PULL BOX
- EXISTING TELEPHONE CONNECTION
- EXISTING FIBER OPTIC COMMUNICATIONS HUT
- EXISTING ELECTRIC HANDHOLE/MANHOLE

- EXISTING CDOT ELECTRIC HANDHOLE/MANHOLE
- EXISTING LIGHTED SIGN STRUCTURE-  
CANTILEVER TYPE
- EXISTING LIGHTED SIGN STRUCTURE-TRUSS TYPE
- EXISTING LIGHTED SIGN STRUCTURE-  
BRIDGE MOUNT TYPE
- EXISTING DYNAMIC MESSAGE SIGN
- EXISTING FLASHING BEACON SIGN
- EXISTING CLOSED CIRCUIT TELEVISION CAMERA
- EXISTING MICROWAVE DETECTOR
- EXISTING DETECTOR LOOP
- EXISTING LIGHTING CONTROLLER, DUPLEX
- EXISTING CONTROLLER CABINET
- EXISTING RAMP METER SIGNAL POLE/HEAD

- EXISTING RAMP METER FLASHER
- EXISTING HIGHWAY ADVISORY RADIO ANTENNA
- EXISTING CCTV CAMERA POLE
- EXISTING UTILITY SERVICE CONNECTION,  
POLE MOUNTED
- EXISTING UTILITY SERVICE CONNECTION,  
PAD MOUNTED
- EXISTING CONCEALED CONDUIT IN STRUCTURE
- EXISTING EXPOSED CONDUIT
- EXISTING RACEWAY OR DIRECT BURIED CABLE  
WITHOUT ENCASEMENT
- EXISTING CONCEALED CONDUIT UNDERGROUND,  
TRENCHED OR PUSHED
- EXISTING ELECTRIC CABLE IN CONDUIT

20C/EI-100

REVISIONS	
NAME	DATE

ILLINOIS DEPARTMENT OF TRANSPORTATION  
F.A.I. 94 (DAN RYAN EXPRESSWAY)

ELECTRICAL SYMBOLS

SCALE: NOT TO SCALE  
DATE: MARCH 7, 2006  
DRAWN BY: CJM  
CHECKED BY: BMW



J:\IT\Contract\20c\_details\20c\_ei\0900202.dwg 3/7/2006 4:40:09 PM