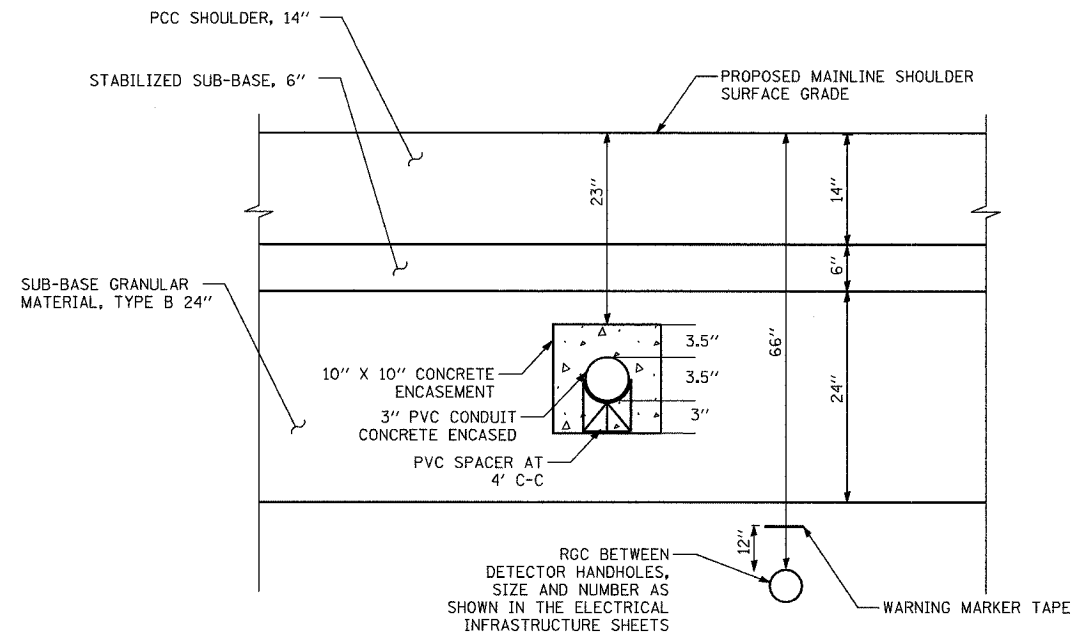
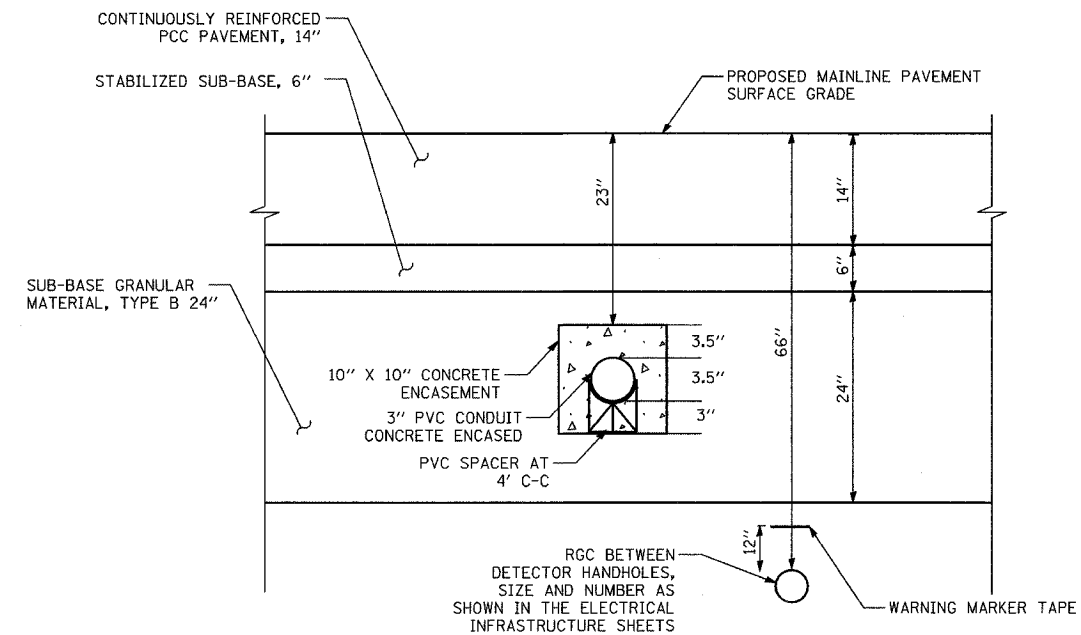


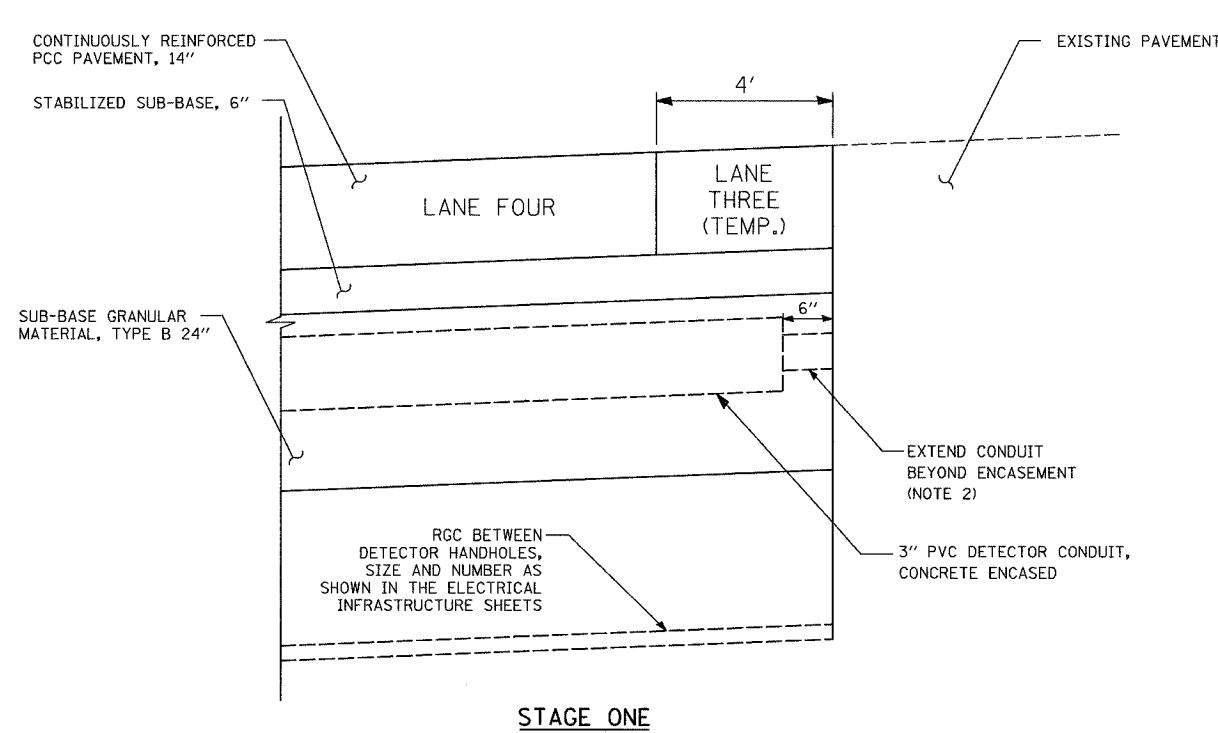
F.A.I. RTE.	SECTION	COUNTY	TOTAL SHEETS	SHEET NO.
94	1818 R-3	COOK	265	179
STA.		TO STA.		
FED. ROAD DIST. NO.	ILLINOIS FED. AID PROJECT		60B17	



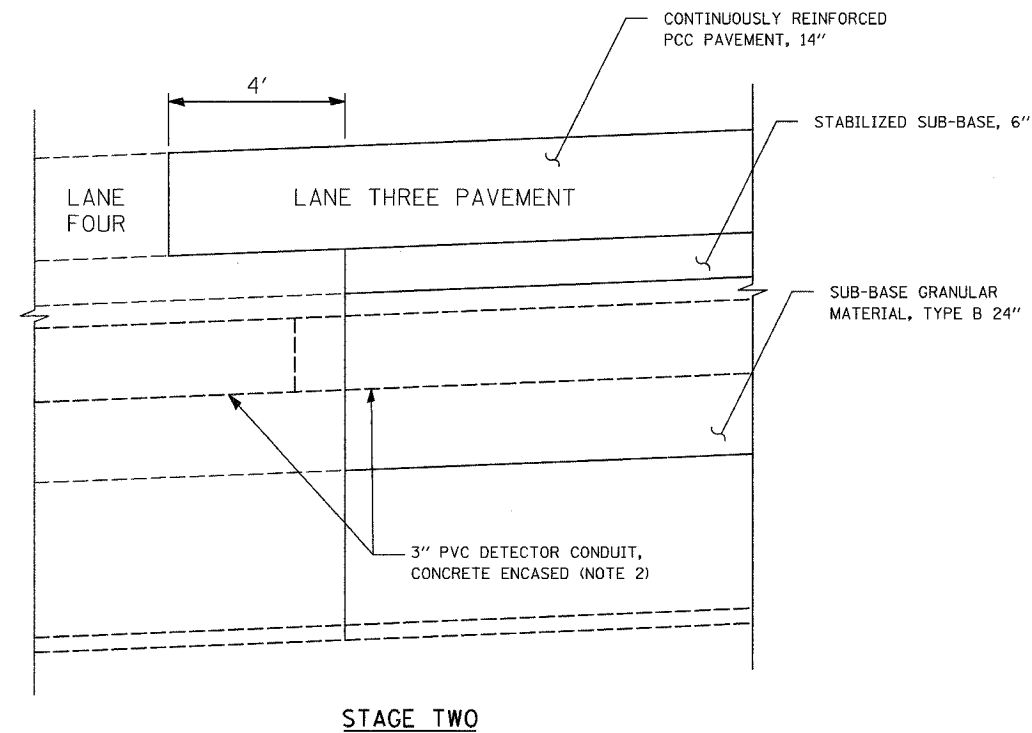
**TYPICAL DETECTOR CONDUIT INSTALLATION
IN MAINLINE SHOULDER: SECTION B-B**



**TYPICAL DETECTOR CONDUIT INSTALLATION
IN MAINLINE PAVEMENT: SECTION C-C**



STAGE ONE



STAGE TWO

**TWO-STAGE DETECTOR CONDUIT INSTALLATION DETAIL
(FOR APPLICABLE LOCATIONS, SEE SHEET EI-115)**

NOTES:

- CONTRACTOR MUST VERIFY THE DETECTOR CONDUIT STRAIGHTNESS ACCORDING TO THE CONTRACT SPECIFICATIONS BEFORE THE CONCRETE ENCASEMENT IS INSTALLED.
- DURING STAGE ONE, CONDUIT TO BE CAPPED AND MARKED FOR FUTURE CONNECTION. IN STAGE TWO, CONNECT 3" PVC DETECTOR CONDUITS WITH CONDUIT SLEEVE. ALIGNMENT OF THE CONDUIT INSTALLED IN THE TWO STAGES SHALL NOT DEVIATE MORE THAN 1/4" PER FOOT OVER THE COURSE OF THE CONDUIT INSTALLED IN LANES 3, 4, AND 5.

SINGH 300 W. ADAMS ST.
CHICAGO, IL 60606
SINGH & ASSOCIATES, INC. TEL: (312) 629-0240
CONSULTING ENGINEERS FAX: (312) 629-8449

REVISIONS	
NAME	DATE

ILLINOIS DEPARTMENT OF TRANSPORTATION
F.A.I. 94 (DAN RYAN EXPRESSWAY)

**TYPICAL MAINLINE DETECTOR
INSTALLATION DETAIL (SHEET 2 OF 2)**

SCALE: NONE DRAWN BY: NB
DATE: MARCH 7, 2006 CHECKED BY: MJL

20C/EI-110A

J:\N75\contract\20c_details\20c_ei110a.dwg 3/7/2006 4:42:21 PM