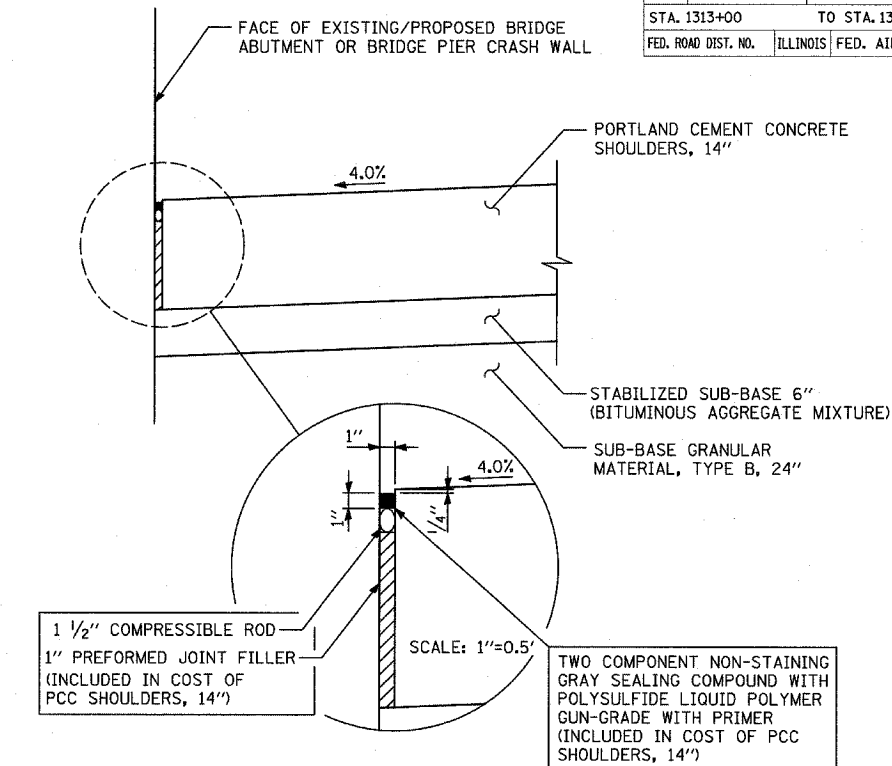
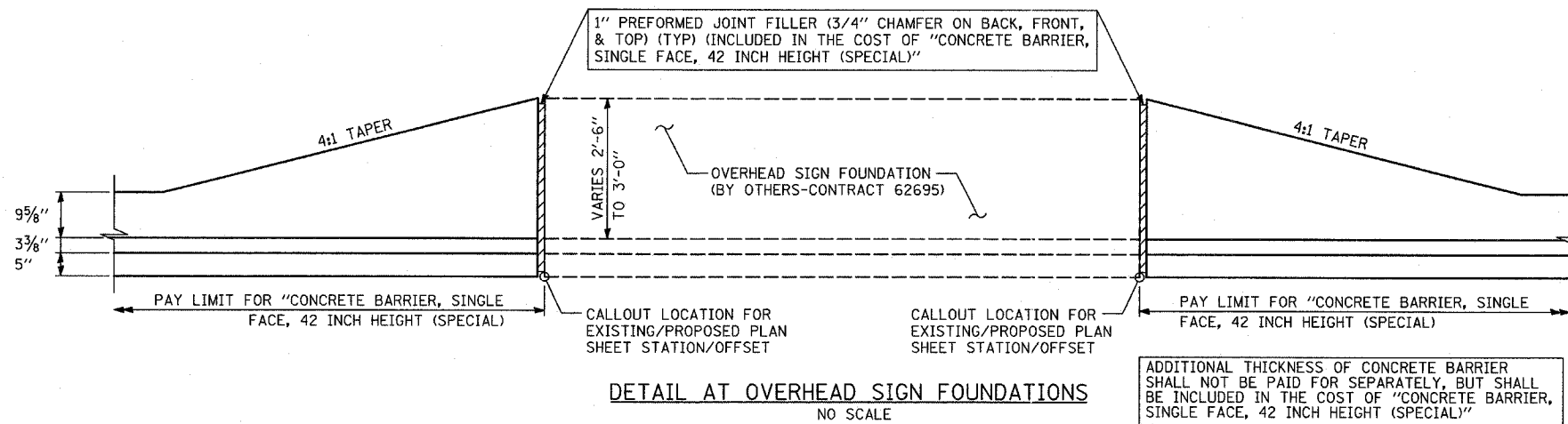
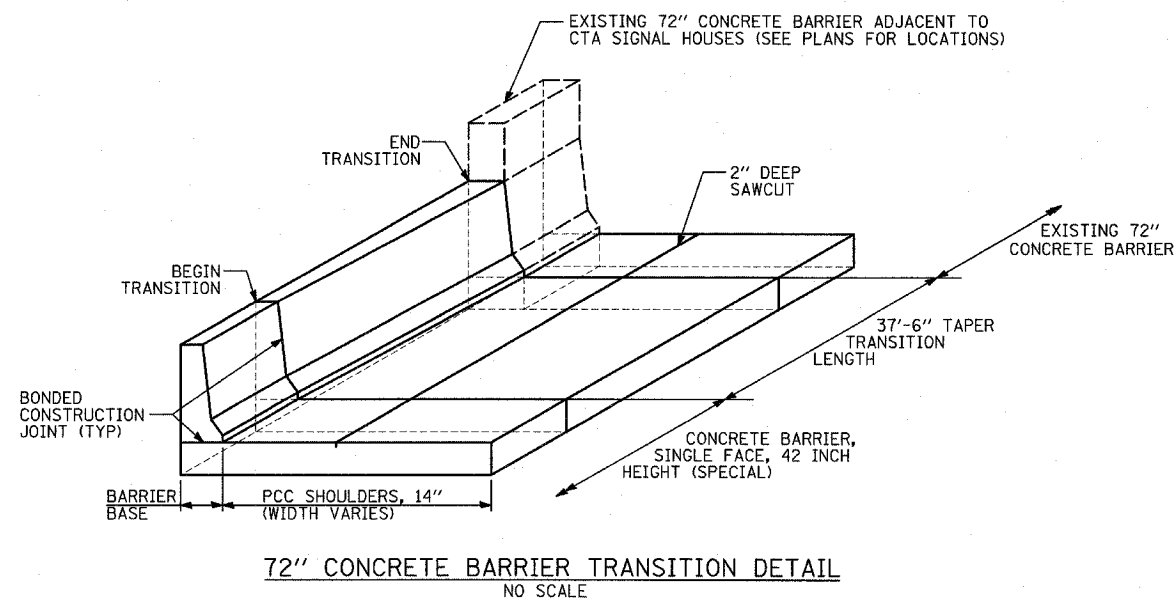


F.A.I. RTE.	SECTION	COUNTY	TOTAL SHEETS	SHEET NO.
94	1818 R-6	COOK	290	62
STA. 1313+00		TO STA. 1367+00		
FED. ROAD DIST. NO.	ILLINOIS	FED. AID PROJECT		

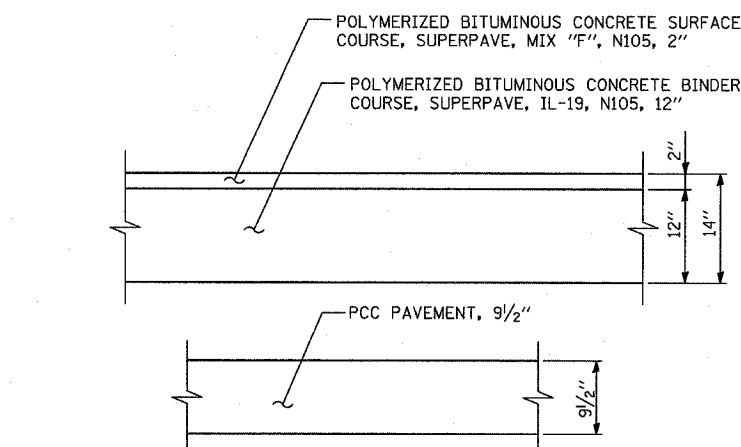
6018



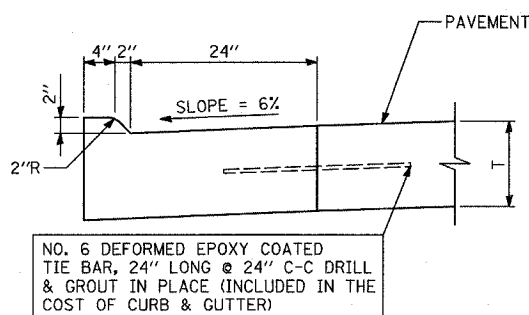
PCC SHOULDERS ADJACENT TO BRIDGE ABUTMENT/CRASH WALL
SCALE: 1"=1'-0"



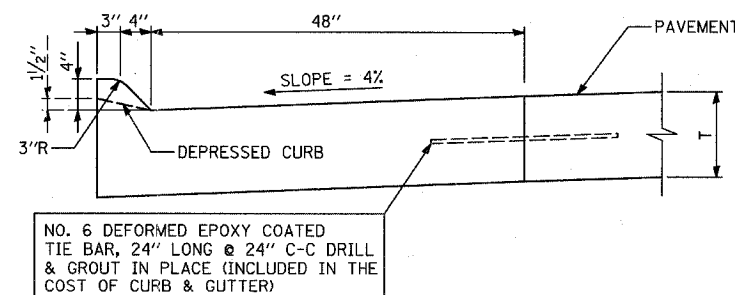
72" CONCRETE BARRIER TRANSITION DETAIL
NO SCALE



TEMPORARY PAVEMENT DETAILS
(CONTRACTOR HAS THE OPTION OF USING BITUMINOUS OR PCC SECTION FOR TEMPORARY PAVEMENT)
SCALE: 1"=1'-0"



COMBINATION CONCRETE CURB & GUTTER,
TYPE M-2.24
SCALE: 1"=1'-0"



COMBINATION CONCRETE CURB & GUTTER,
TYPE M-4.48
SCALE: 1"=1'-0"

REVISIONS	
NAME	DATE

ILLINOIS DEPARTMENT OF TRANSPORTATION
F.A.I. 94 (DAN RYAN EXPRESSWAY)

MISCELLANEOUS DETAILS
PLAN AND TYPICAL SECTION DETAILS

SCALE: AS SHOWN
DATE: MARCH 1, 2006
DRAWN BY: MPG
CHECKED BY: TGB