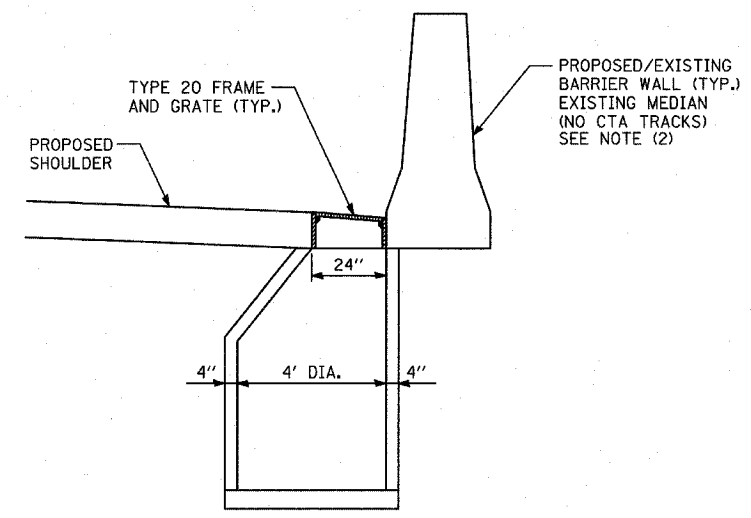
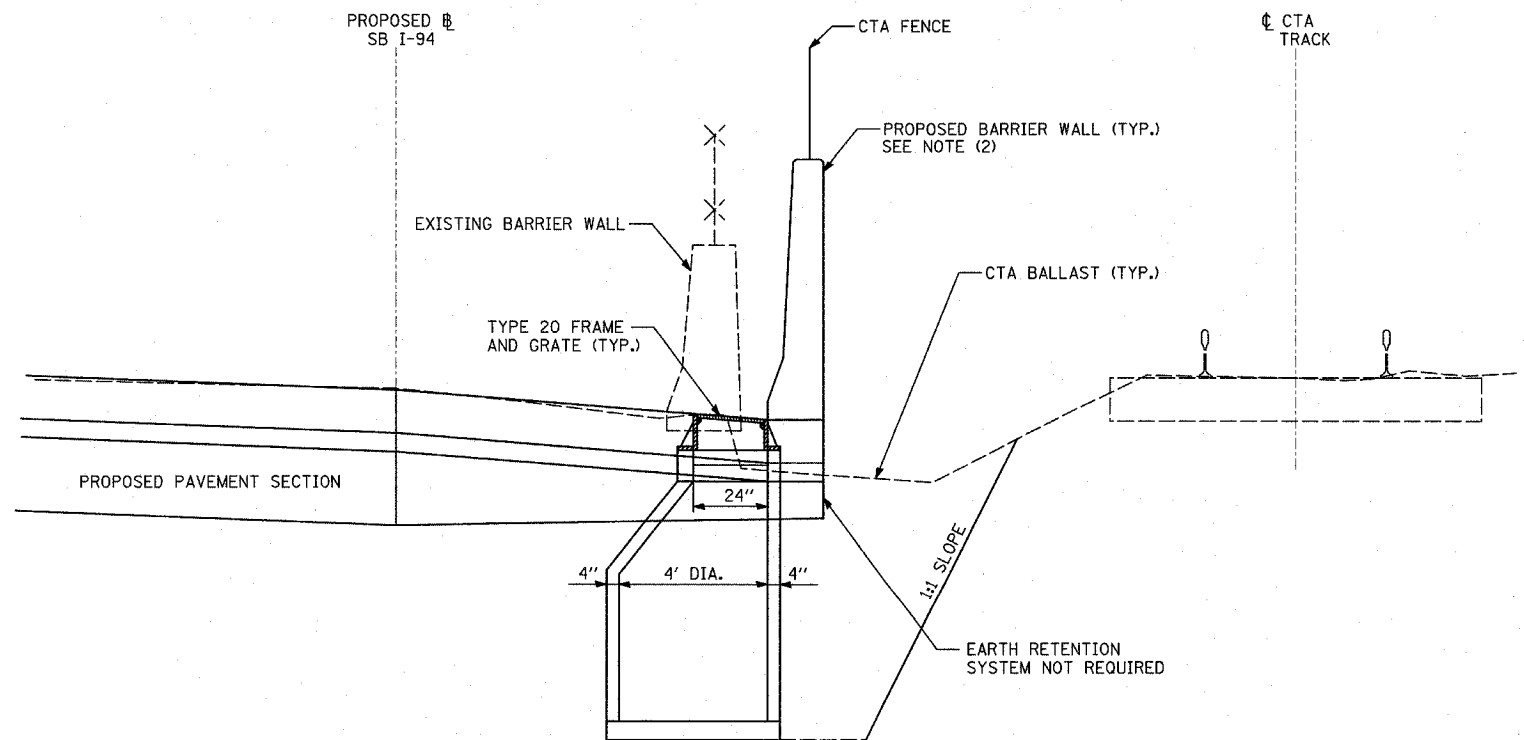


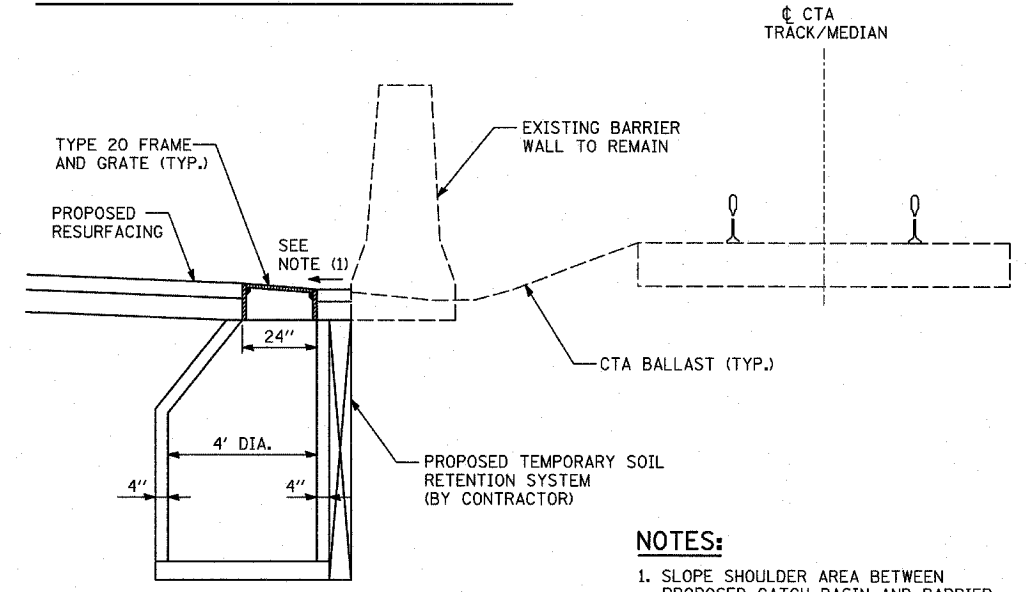
**DETAIL 1**  
**PROPOSED CATCH BASIN - TYPE "A"**



**DETAIL 3**  
**PROPOSED CATCH BASIN - TYPE "A"**



**DETAIL 2**  
**PROPOSED CATCH BASIN - TYPE "A"**



**DETAIL 4**  
**PROPOSED CATCH BASIN - TYPE "A"**

**NOTES:**

1. SLOPE SHOULDER AREA BETWEEN PROPOSED CATCH BASIN AND BARRIER WALL TOWARDS GRATE - TRANSITION BACK TO SHOULDER SLOPE WITHIN 10' EITHER WAY FROM  $\phi$  OF GRATE.
2. SEE MISCELLANEOUS DETAIL SHEETS FOR WALL DETAIL.

REVISIONS	
NAME	DATE