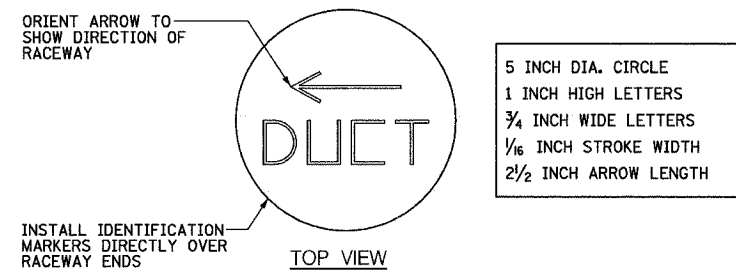
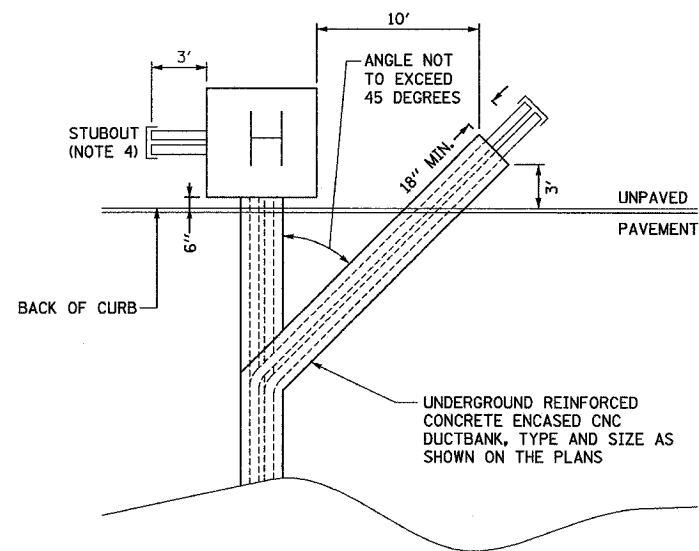


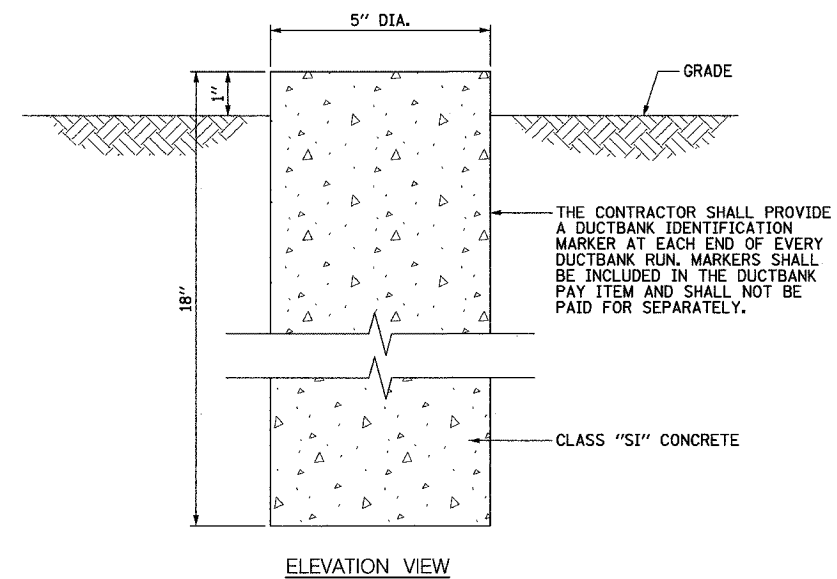
DUCTBANK INSTALLATION DETAIL ALONG RETAINING WALL
NOT TO SCALE



DUCTBANK IDENTIFICATION MARKER DETAIL
SCALE: 3" = 1'-0"



DUCTBANK INSTALLATION DETAIL UNDER PAVEMENT
NOT TO SCALE



NOTES:

- SEE DRAWINGS EI-100 AND EI-101 FOR ELECTRICAL SYMBOLS AND ABBREVIATIONS.
- DIMENSIONS SHOWN ON THIS DRAWING ARE TYPICAL FOR MOST INSTALLATIONS. DIMENSIONS AND/OR STATIONS SPECIFIED ON THE PLANS OR HANDHOLE DETAIL DRAWINGS SHALL SUPERCEDE THE DIMENSIONS SHOWN ON THIS DRAWING.
- SEE DRAWING EI-102 FOR CONDUIT DUCTBANK DETAILS.
- STUBOUTS SHALL EXTEND 3' FROM HANDHOLE AND BE CAPPED. NUMBER AND SIZE SHALL BE AS SHOWN ON PLANS. STUBOUTS SHALL BE INCLUDED IN HANDHOLE PAY ITEM AND SHALL NOT BE PAID SEPARATELY.
- FOR DETAILS AT SPECIFIC LOCATIONS, SEE "TYPICAL SECTION DETAILS: EXISTING CROSS STREET OVERPASS FOOTINGS".

SINGH 300 W. ADAMS ST.
CHICAGO, IL 60606
SINGH & ASSOCIATES, INC. TEL: (312) 629-0240
CONSULTING ENGINEERS FAX: (312) 629-8449

REVISIONS	
NAME	DATE

ILLINOIS DEPARTMENT OF TRANSPORTATION
F.A.I. 94 (DAN RYAN EXPRESSWAY)

**ELECTRICAL DUCTBANK DETAILS
IN SHOULDER AND UNDER PAVEMENT**

SCALE: NOT TO SCALE DRAWN BY: BHP
DATE: MARCH 1, 2006 CHECKED BY: BMW

2/20/2006 2:13:17 PM