

F.A.I. RTE.	SECTION	COUNTY	TOTAL SHEETS	SHEET NO.
57	*	COOK	916	572
STA.		TO STA.		
FED. ROAD DIST. NO. 1		ILLINOIS FED. AID PROJECT		
CONTRACT NO. 62304 *(1516.1, 1717, & 1818) R-4				

Item	Total	Unit
Structural Repair Of Concrete (Depth Equal To Or Less Than 5")	Sq Ft	160
Epoxy Crack Sealing	Foot	7
Cored Drain Holes	Each	28

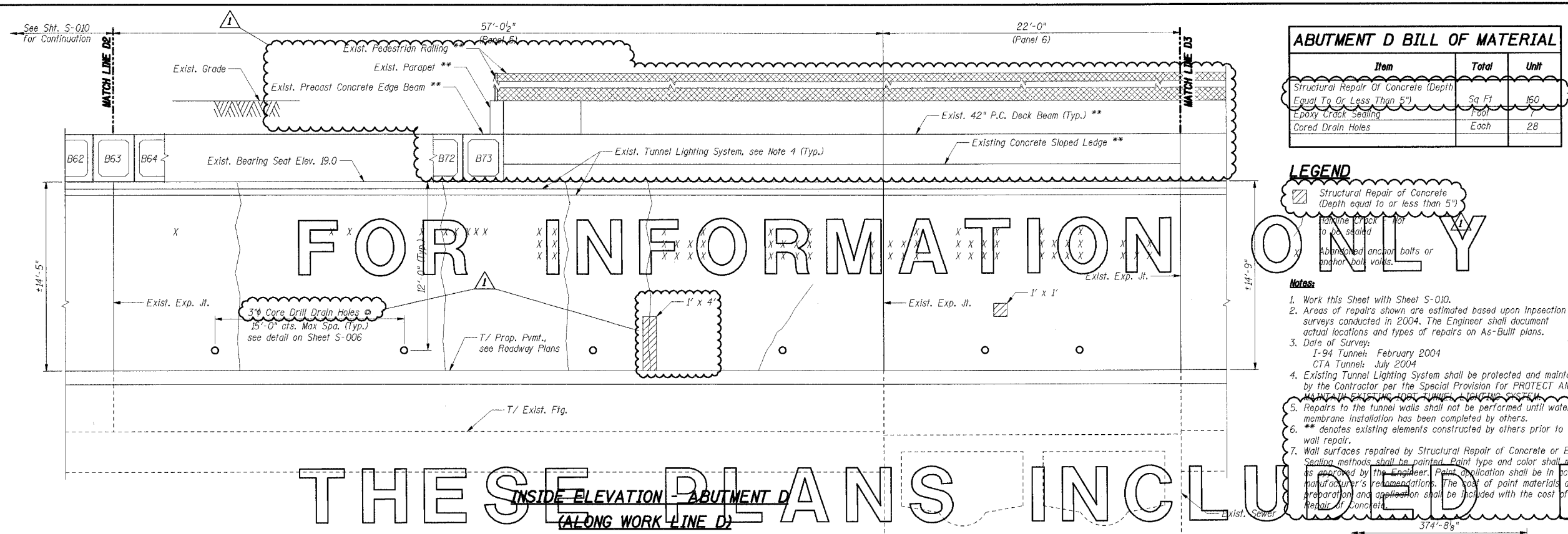
**LEGEND**

Structural Repair of Concrete (Depth equal to or less than 5")

Existing Concrete Sloped Ledge \*\*

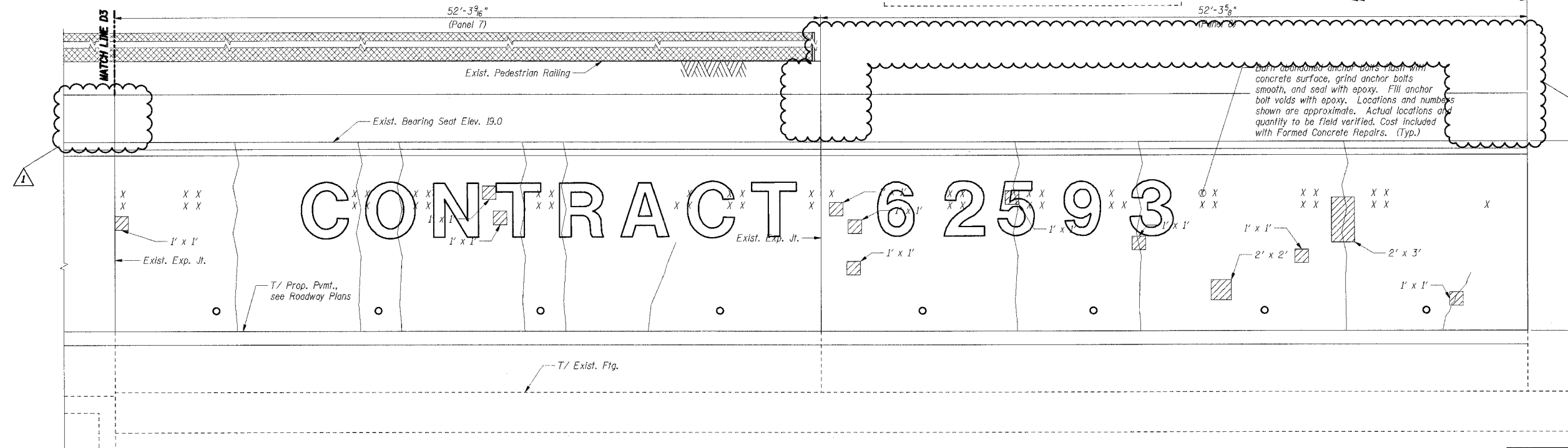
Abandoned anchor bolts or anchor bolt voids.

- Notes:**
- Work this Sheet with Sheet S-010.
  - Areas of repairs shown are estimated based upon inspection surveys conducted in 2004. The Engineer shall document actual locations and types of repairs on As-Built plans.
  - Date of Survey:  
I-94 Tunnel: February 2004  
CTA Tunnel: July 2004
  - Existing Tunnel Lighting System shall be protected and maintained by the Contractor per the Special Provision for PROTECT AND MAINTAIN EXISTING TUNNEL LIGHTING SYSTEM.
  - Repairs to the tunnel walls shall not be performed until waterproofing membrane installation has been completed by others.
  - \*\* denotes existing elements constructed by others prior to abutment wall repair.
  - Wall surfaces repaired by Structural Repair of Concrete or Epoxy Crack Sealing methods shall be painted. Paint type and color shall match existing as approved by the Engineer. Paint application shall be in accordance with manufacturer's recommendations. The cost of paint materials and paint preparation and application shall be included with the cost of Structural Repair of Concrete.



FOR INFORMATION ONLY

THESE PLANS INCLUDE



CONTRACT 62593

INSIDE ELEVATION - ABUTMENT D  
(ALONG WORK LINE D)

NAME	DATE
ADDENDUM 1	05/08/06

SHT. S-011

ILLINOIS DEPARTMENT OF TRANSPORTATION  
F.A.I. ROUTE 57 (INTERSTATE 57) OVER  
F.A.I. ROUTE I-94 SB & CTA TRACKS-BRIDGE REPAIRS  
SN 016-0073  
COOK COUNTY  
SECTION (1516.1, 1717, & 1818) R-4  
ABUTMENT D  
REPAIRS II

DATE: 05/08/06

DRAWN BY: VV  
CHECKED BY: RDS

**TENG**  
TENG & ASSOCIATES, INC.  
ENGINEERS/ARCHITECTS/PLANNERS  
206 N. MICHIGAN AVE., CHICAGO, IL 60601  
TELEPHONE: 312.616.0000

Revised - JFS 5/8/06

LEAPAC  
 \\AR\COM\Z\DCN\... \BIBER\BIBER.DCN... \ART\COM\Z\DCN... \DCN... \BIBER\BIBER.DCN...  
 5-07-2006, 12:25:03  
 T:\DOCUMENT\630860\STRUCT\LDGN\ART\COM\Z\DCN...