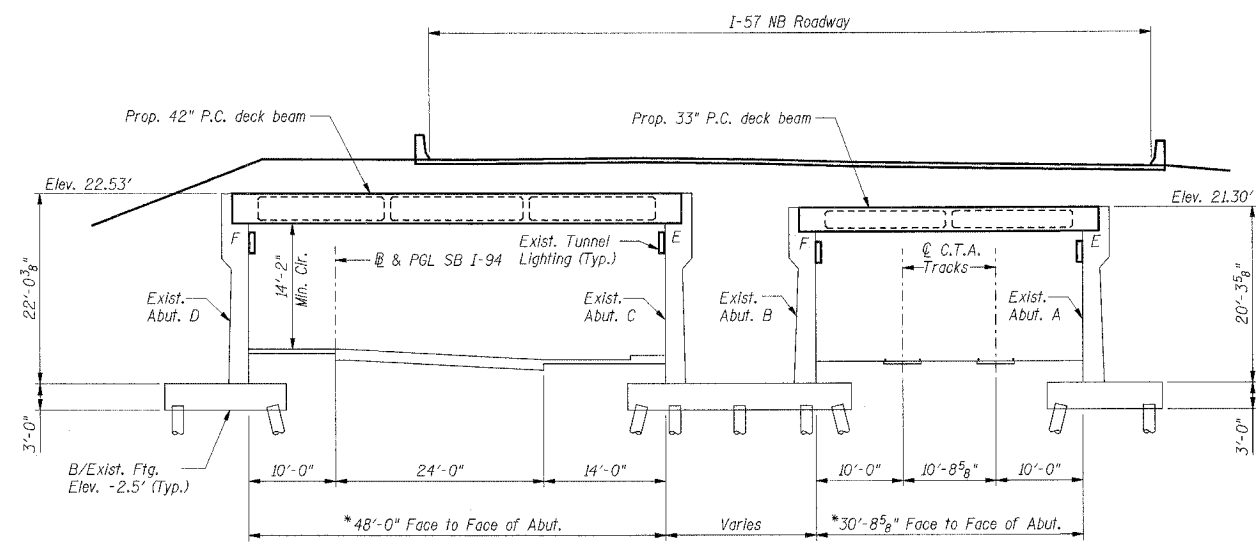
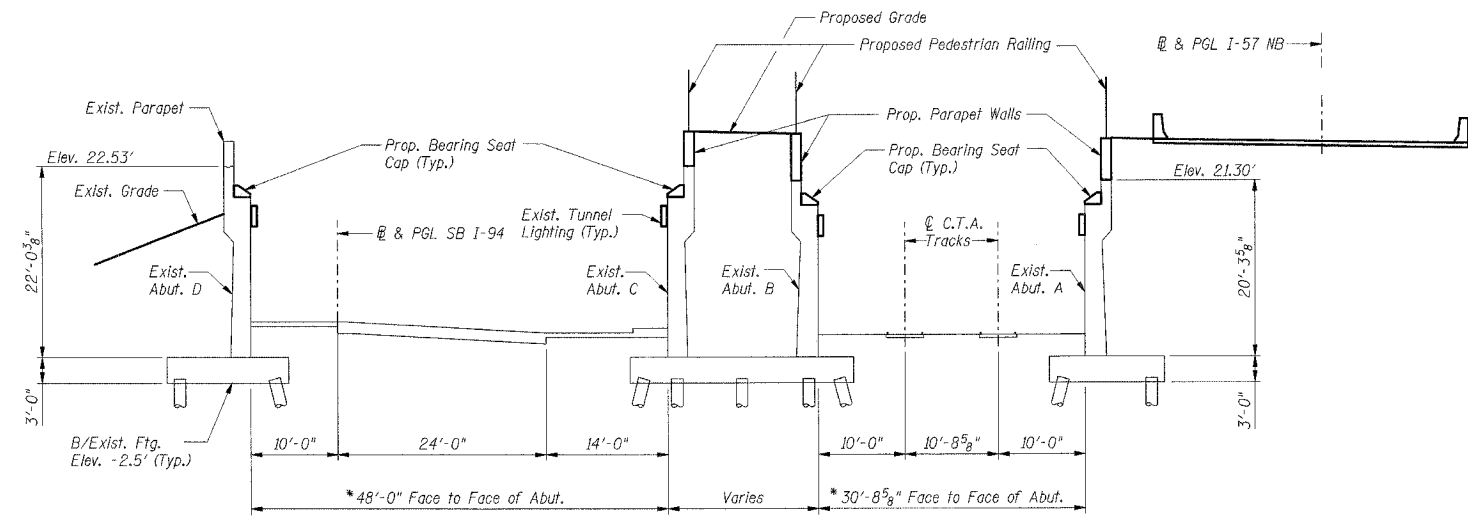


F.A.I. RTE.	SECTION	COUNTY	TOTAL SHEETS	SHEET NO.
57	*	COOK	916	573A
STA.		TO STA.		
FED. ROAD DIST. NO. 1		ILLINOIS FED. AID PROJECT		
CONTRACT NO. 62304 *(1516.1, 1717, & 1818) R-4				



SECTION A-A

* Radial distance between walls



SECTION B-B

* Radial distance between walls

Notes:
1. Work this sheet with Sheet ST-001.

SHT. ST-001A

REVISIONS	
NAME	DATE

ADDENDUM 1 05/08/06

ILLINOIS DEPARTMENT OF TRANSPORTATION
 F.A.I. ROUTE 57 (INTERSTATE 57) OVER
 F.A.I. ROUTE I-94 SB & CTA TRACKS-BRIDGE REPAIRS
 SN 016-0073
 COOK COUNTY
 SECTION (1516.1, 1717, & 1818) R-4
 GENERAL SECTIONS

DATE: 05/08/06 DRAWN BY: FJS
 CHECKED BY: JRH

TENG
 TENG & ASSOCIATES, INC.
 ENGINEERS/ARCHITECTS/PLANNERS
 208 N. MICHIGAN AVE., CHICAGO, IL 60601
 TELEPHONE: 312.467.0000

\\SRB00R01\... \GPE00W_T.DGN, ... \GPE00Y02.DGN, ... \GPE00W_T.DGN, ... \ALTD00V.SLDGN, ... \TP000746.DGN, ... \SRB00VX1.DGN
 5-07-2006, 17:28:53
 T:\DOCUMENT\932886\STRUCT\06\GPE00V.DGN