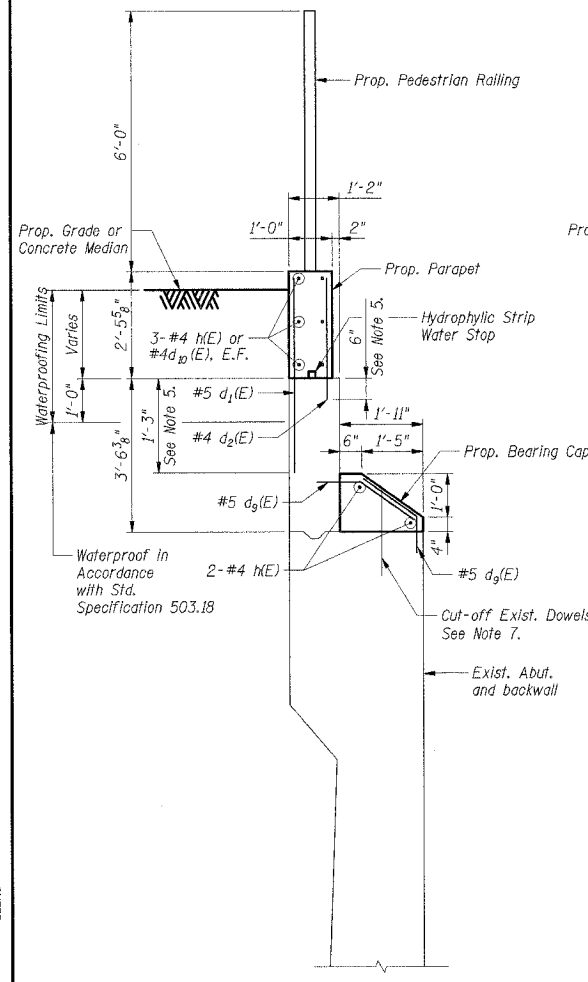
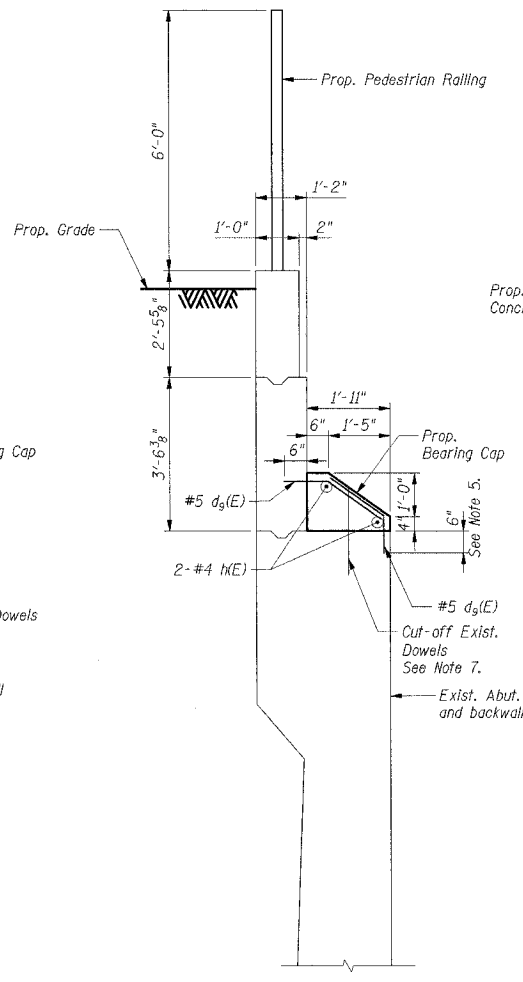


F.A.I. RTE.	SECTION	COUNTY	TOTAL SHEETS	SHEET NO.
57	*	COOK	916	575J
STA.		TO STA.		
FED. ROAD DIST. NO. 1 ILLINOIS FED. AID PROJECT				

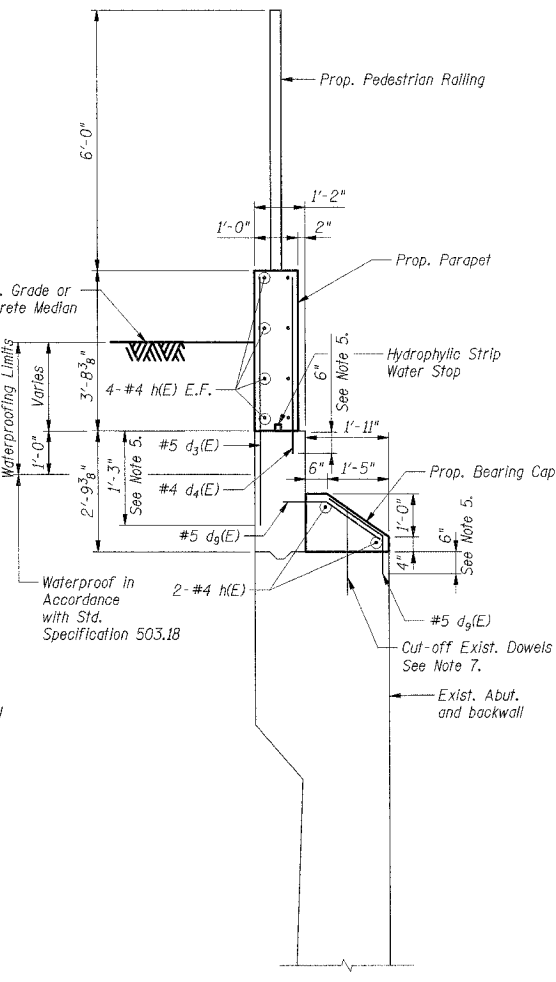
CONTRACT NO. 62304  
\*1516.1, 1717, & 1818 R-4



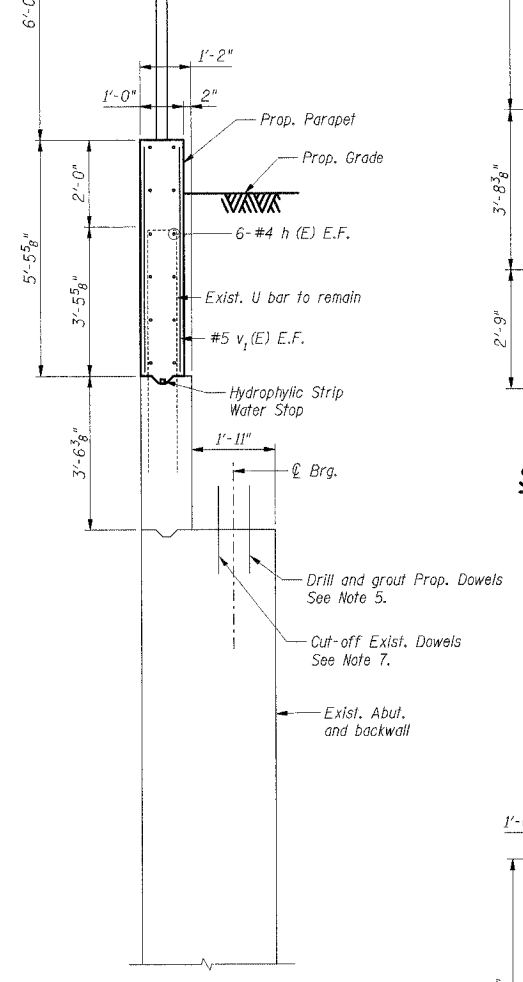
**SECTION C-C**  
(Abutment C and D - proposed parapet)



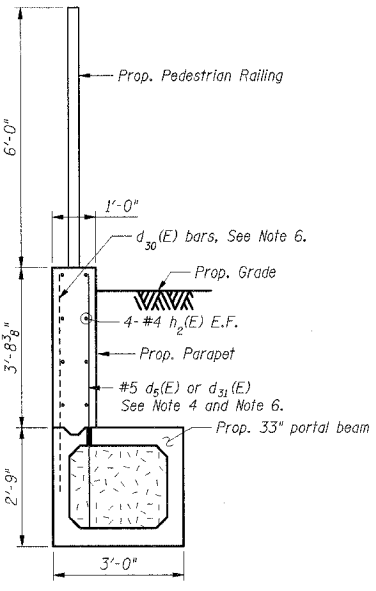
**SECTION D-D**  
(Abutment D - parapet to remain)



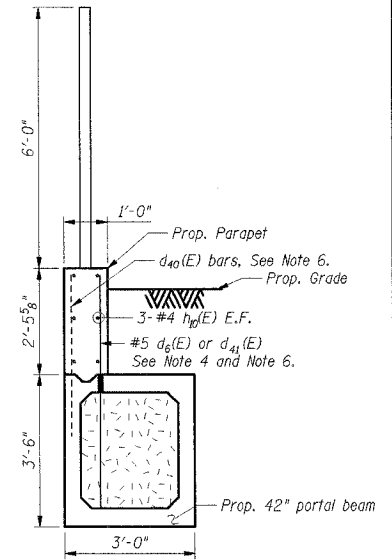
**SECTION E-E**  
(Abutment A and B - proposed parapet)



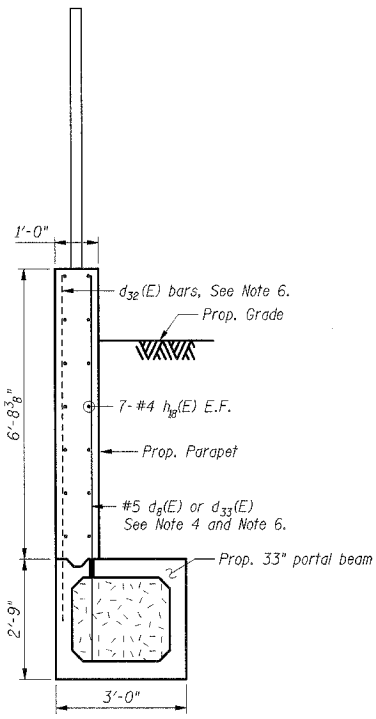
**SECTION F-F**  
(Abutment C - proposed parapet  
Exist. parapet to be removed, see  
Sheet ST-003I for limits of removal.)



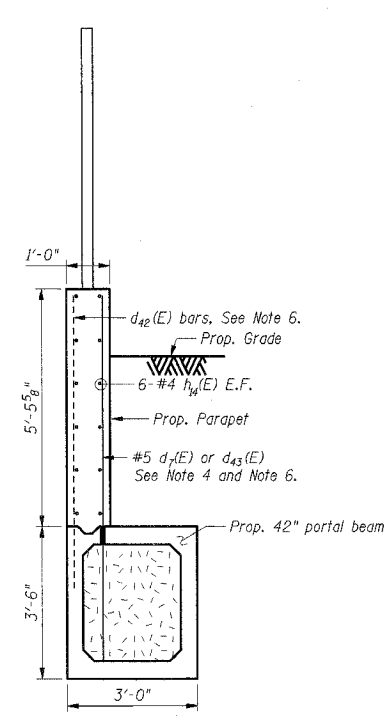
**SECTION G1-G1**  
(north 33" portal beam)



**SECTION G2-G2**  
(north 42" portal beam)



**SECTION G4-G4**  
(south 33" portal beam)



**SECTION G3-G3**  
(south 42" portal beam)

**NOTES:**

1. Work this sheet with Sheets ST-003I & ST-003H
2. For details, bar list, and bill of materials, see Sheet ST-003K.
3. For portal beam details, see Sheets ST-003E and ST-003F.
4. d5(E) through d6(E) bars shall be set in 2" φ holes in portal beams to the depth indicated before the lean concrete fill has set.
5. Drill and epoxy grout bars to the depth indicated. Cost of drilling and grouting bars into existing abutment backwalls to be included in the unit price of Reinforcement Bars, Epoxy Coated.
6. Bars d30(E), d31(E), d40(E) and d43(E) are cast with portal beams. See Shts. ST-003E and ST-003F for details.
7. Cost of removing existing dowels to be included in the unit cost of Removal of Existing Superstructures, I-94 Tunnel.
8. Hydrophilic Strip Waterproofing shall be a swellable strip type compound of polymer modified chloroprene rubber that swells upon contact with water, conforming to ASTM D 412 as follows:  
Tensile strength 420 psi minimum; ultimate elongation 600 percent minimum.  
Hardness shall be 50 minimum on the type A durometer, and volumetric expansion ratio in distilled water at 70 degrees F shall be 3 to 1 minimum. Cost included with Concrete Superstructure.

SHT. ST-003J

REVISIONS	
NAME	DATE

ADDENDUM 1 05/08/06

ILLINOIS DEPARTMENT OF TRANSPORTATION  
F.A.I. ROUTE 57 (INTERSTATE 57) OVER  
F.A.I. ROUTE I-94 SB & CTA TRACKS-BRIDGE REPAIRS  
SN 016-0073  
COOK COUNTY  
SECTION (1516.1, 1717, & 1818) R-4  
PARAPET SECTIONS

DATE: 05/08/06

DRAWN BY: MDB  
CHECKED BY: BGK

**TENG**  
TENG & ASSOCIATES, INC.  
ENGINEERS/ARCHITECTS-PLANNERS  
205 N. MICHIGAN AVE., CHICAGO, IL 60601  
TELEPHONE: 312.461.0000

..SRBORDER.DGN ..S0700Y08.DGN ..VAL.T00V5LDGN ..VFEP00W37.DGN ..DKF00W37.DGN ..N00W050.DGN ..NTP000746.DGN ..S1UR00VXLDGN  
 5-07-2006 17:34:00 T:\DOCUMENT\930806\AS\STRUCT\00N\_S0700Y08.DGN