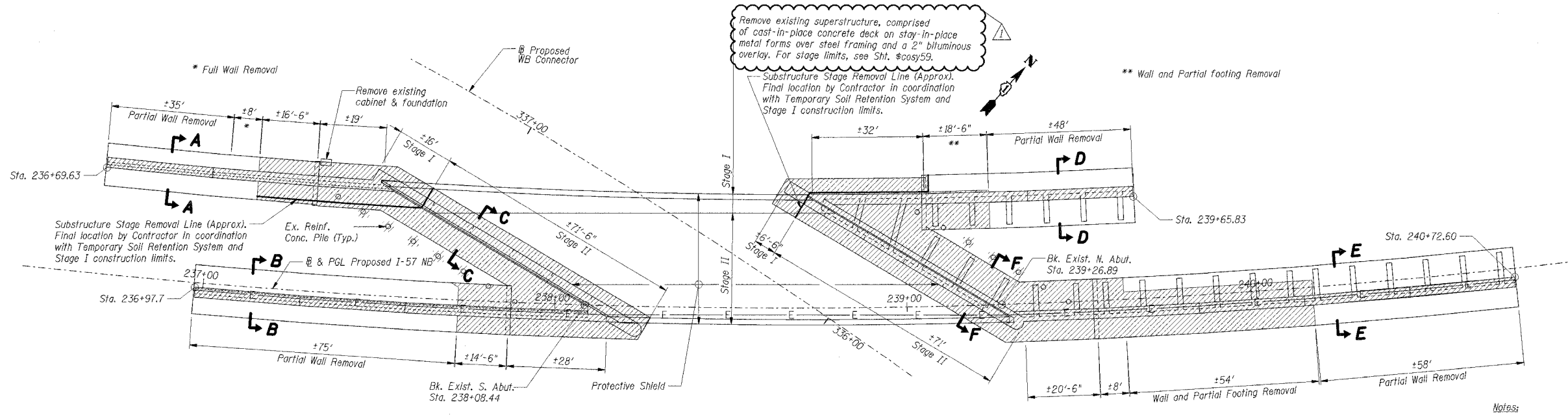


F.A.I. RTE.	SECTION	COUNTY	TOTAL SHEETS	SHEET NO.
57	*	COOK	916	581
STA.	TO STA.			
FED. ROAD DIST. NO.	ILLINOIS	FED. AID PROJECT		
CONTRACT NO. 62304				
*(1516.1, 1717, & 1818) R-4				

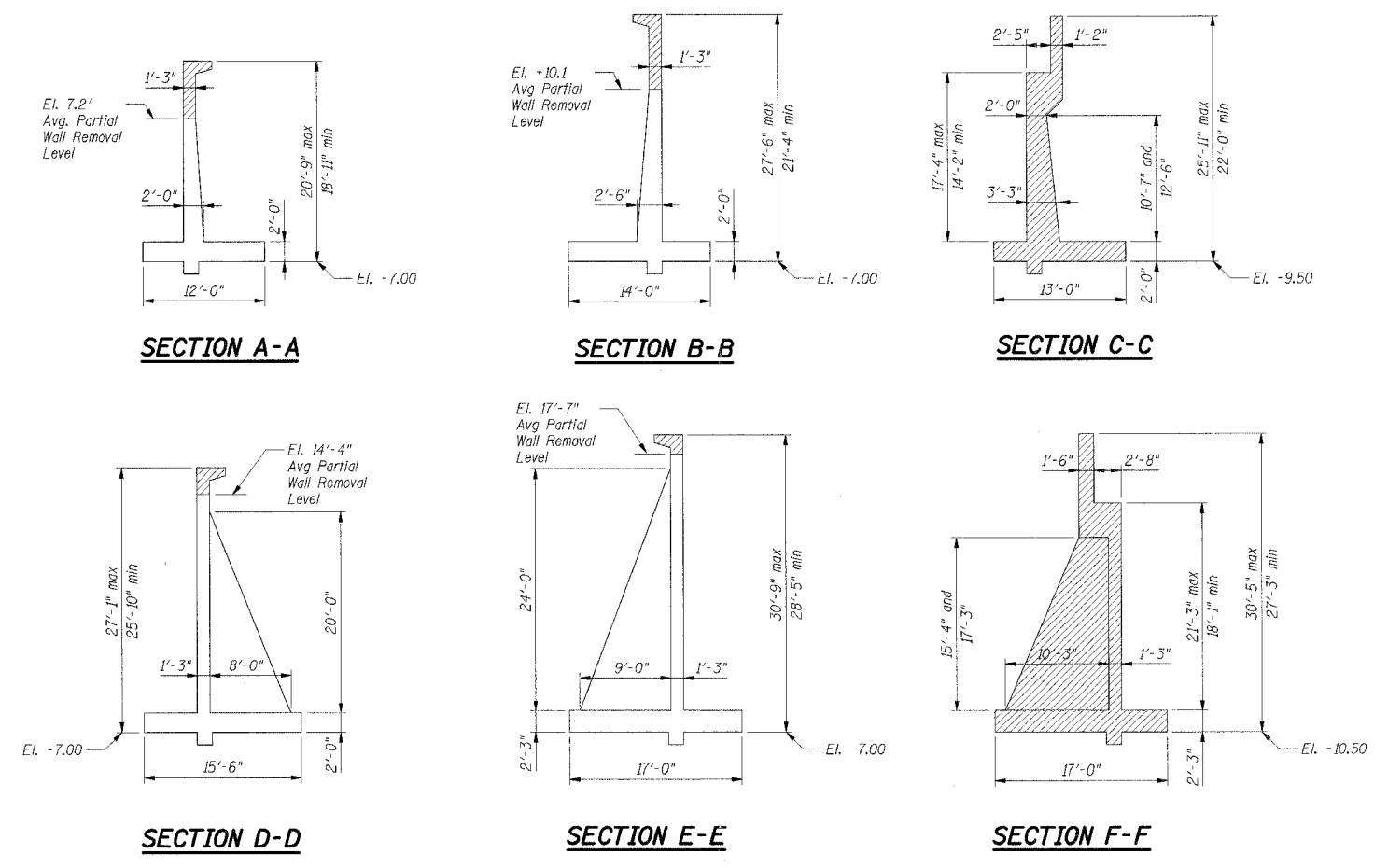


LEGEND

- Substructure removal
- Reinforced concrete pile removal
- Exist. electrical conduit (abandon)

- Notes:**
- For Temporary Soil Retention System, see Shts. #spdybe to #spdybl.
 - All removal work included with Removal of Existing Structures. The removal limits and dimensions shown are for Information. They are based on Standard Specifications and are consistent with the Temporary Soil Retention System concept given in these plans. The final removal limits shall be according to Standard Specification section 501.
 -

REMOVAL PLAN



BILL OF MATERIAL

Item	Unit	Total
Removal of Existing Structures	L Sum	1
Protective Shield	Sq Yd	445

For Information Only

The work included in Removal of Existing Structures includes the following estimated component quantities:

Concrete Bridge Deck & Barrier	Cu yd	119
2" Bituminous Overlay	Cu yd	24
Steel Superstructure	lb	263,988
Concrete Walls & Footings	Cu yd	1145
Excavation	Cu yd	*

*The Structure Excavation quantities given in the abutment and retaining wall sheets have been calculated in accordance with the Standard Specification for Structure Excavation, without deduction for excavation which will be completed in conjunction with Removal of Existing Structures. The excavation quantity required for structure removal, and not covered in the Structure Excavation quantities, is included with Removal of Existing Structures, and has not been tabulated.

SHT. S-004

REVISIONS	
NAME	DATE

ILLINOIS DEPARTMENT OF TRANSPORTATION
 F.A.I. ROUTE 57 (INTERSTATE 57)
 I-57 NB OVER WB CONNECTOR
 SN 016-0072 OLD, SN 016-2852 NEW
 STA. 238+73.54
 COOK COUNTY, SECTION (1516.1, 1717, & 1818) R-4
 STRUCTURE REMOVAL

DATE: 05/08/06
 DRAWN BY: RDS
 CHECKED BY: TCU

TENG
 TENG & ASSOCIATES, INC.
 ENGINEERS/ARCHITECTS/PLANNERS
 205 N. MICHIGAN AVE., CHICAGO, IL 60601
 TELEPHONE: 312.427.0000

I:\AL\T040-DGN...AREMOWW.DGN...ASUR00VXL00N...ASCR00TAC.DGN...ASCR00TAC.DGN...VFPO0MCT.DGN...EXC00MPP.DGN...SBL00YB1.DGN
 5-07-2006 11:48:55
 LEAC
 T:\DOCUMENT\150860\STRUCTURE\REMOVAL.DGN
 I:\AL\T040-DGN...AREMOWW.DGN...ASUR00VXL00N...ASCR00TAC.DGN...ASCR00TAC.DGN...VFPO0MCT.DGN...EXC00MPP.DGN...SBL00YB1.DGN
 5-07-2006 11:48:55
 LEAC
 T:\DOCUMENT\150860\STRUCTURE\REMOVAL.DGN