

TABLE OF REINFORCEMENT BARS

Mark	Reinforcement
BA	Flare 9-#5b2(E) @ Eq. Spa. Bott.
BB	3 x 4-#5b2(E) Bott.
BC	Flare 8-#5b2(E) @ Eq. Spa. Bott.
BD	Flare 7-#5b2(E) @ Eq. Spa. Bott.
BE	Flare 6-#5b2(E) @ Eq. Spa. Bott.
BF	13-#5a28(E) @ 7½" cts.
BG	12-#5a30(E) @ 7½" cts.
TA	3-#5b3(E) Top
TB	Flare 8-#5b3(E) @ ±12" cts. max. Top
TC	Flare 7-#5b3(E) @ ±12" cts. max. Top
TD	3 x 3-#5b3(E) Top
TE	Flare 6-#5b3(E) @ ±12" cts. max. Top
TF	Flare 5-#5b3(E) @ ±12" cts. max. Top
TG	3-#5b3(E) Top
TH	Flare 4-#5b3(E) @ ±12" cts. max. Top
TJ	3 x 3-#5a6(E) bars & 3-#5 Bar Splicers (E)
TK	18-#5x1(E) @ ±12" cts. max. Top Lap with b3(E) & b4(E) bars
TL	17-#5a27(E) @ 5½" cts.
TM	16-#5a29(E) @ 5½" cts.

WORK POINT TABLE

Point	I-57 NB		Local Tangent	
	Station	Offset	Station	Offset
WP 2	238+28.50	10.38 RT	9+61.35	10.00 RT
WP 3	237+22.08	46.00 LT	8+58.71	51.28 LT
WP 6	238+47.01	46.48 LT	9+80.55	46.58 LT
WP 7	239+41.83	11.46 RT	10+75.31	10.00 RT

Work Points are located at the toe of barrier at the front face of the abutment backwall.

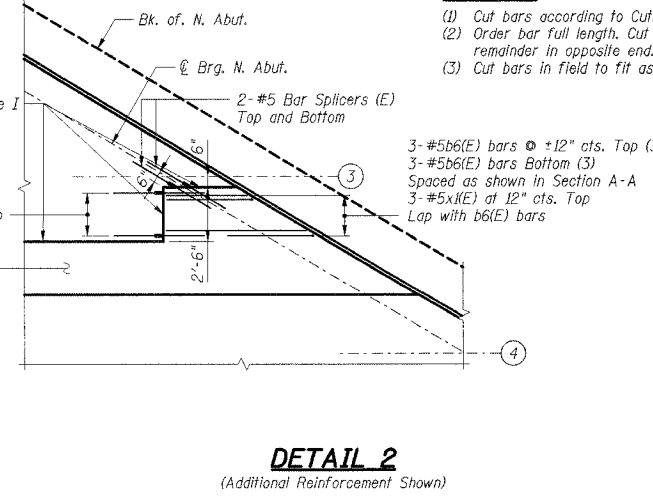
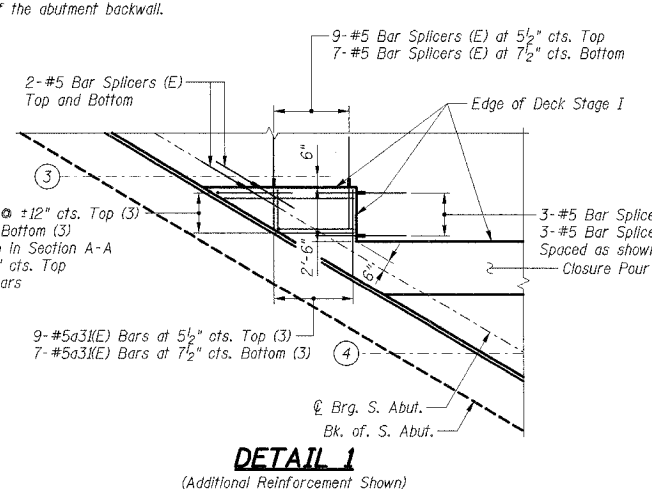
DECK PLAN

Re-bar Notes:

- Cut bars according to Cutting Diagram, Sht. S-015.
- Order bar full length. Cut to fit skew and use remainder in opposite end.
- Cut bars in field to fit as required.

Notes:

- Reinforcement bars designated (E) shall be epoxy coated.
- Bars indicated thus 24 x 3-#5 etc. indicates 24 lines of bars with 3 lengths per line.
- I.F. denotes Inside Face.
- O.F. denotes Outside Face.
- For Sections A-A & B-B, see Sht. S-014.
- For Parapet Elevations, see Sht. S-015.
- For Scupper details & additional bars, see Sht. S-015.
- For Neoprene Joint details, see Sht. S-016.
- For Bar List & Bill of Material, see Sht. S-015.
- For Bar Splicer details, see Sht. S-043.
- Cast in inserts for underpass lighting fixtures. Coordinate insert details and locations with Underpass Lighting plans of IDOT Contract 62583. Inserts provided by others under Contract 62583.



SHT. S-013

REVISIONS		NAME	DATE
NO.	DESCRIPTION		

ILLINOIS DEPARTMENT OF TRANSPORTATION
 F.A.I. ROUTE 57 (INTERSTATE 57)
 I-57 NB OVER WB CONNECTOR
 SN 016-0072 OLD, SN 016-2852 NEW
 STA. 238+73.54
 COOK COUNTY, SECTION (1516.1, 1717, & 1818) R-4
 NB I-57 OVER WB I-94 RAMP
 DECK PLAN
 DATE: 03/07/06
 DRAWN BY: HBJ
 CHECKED BY: RDS
TENG
TENG & ASSOCIATES, INC.
 ENGINEERS ARCHITECTS PLANNERS
 208 N. MICHIGAN AVE., CHICAGO, IL 60601
 TELEPHONE: 312.442.0000