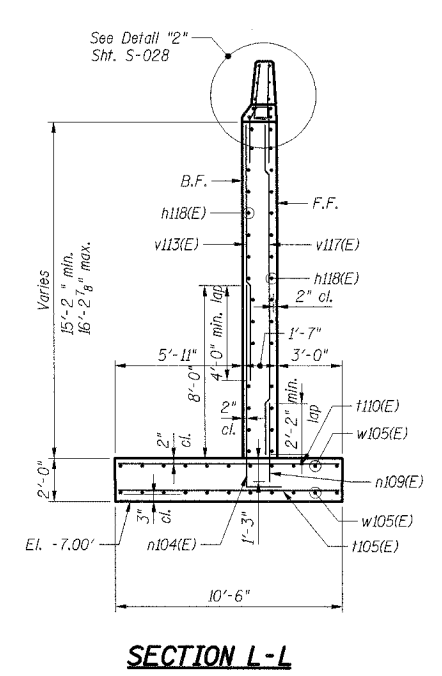
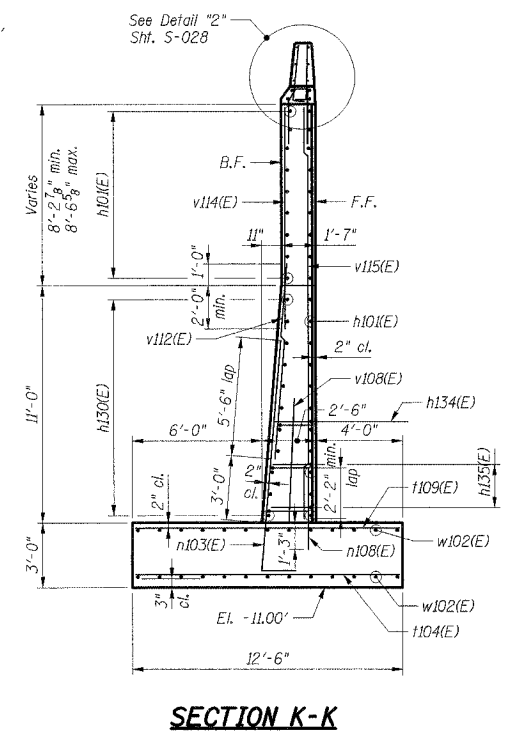
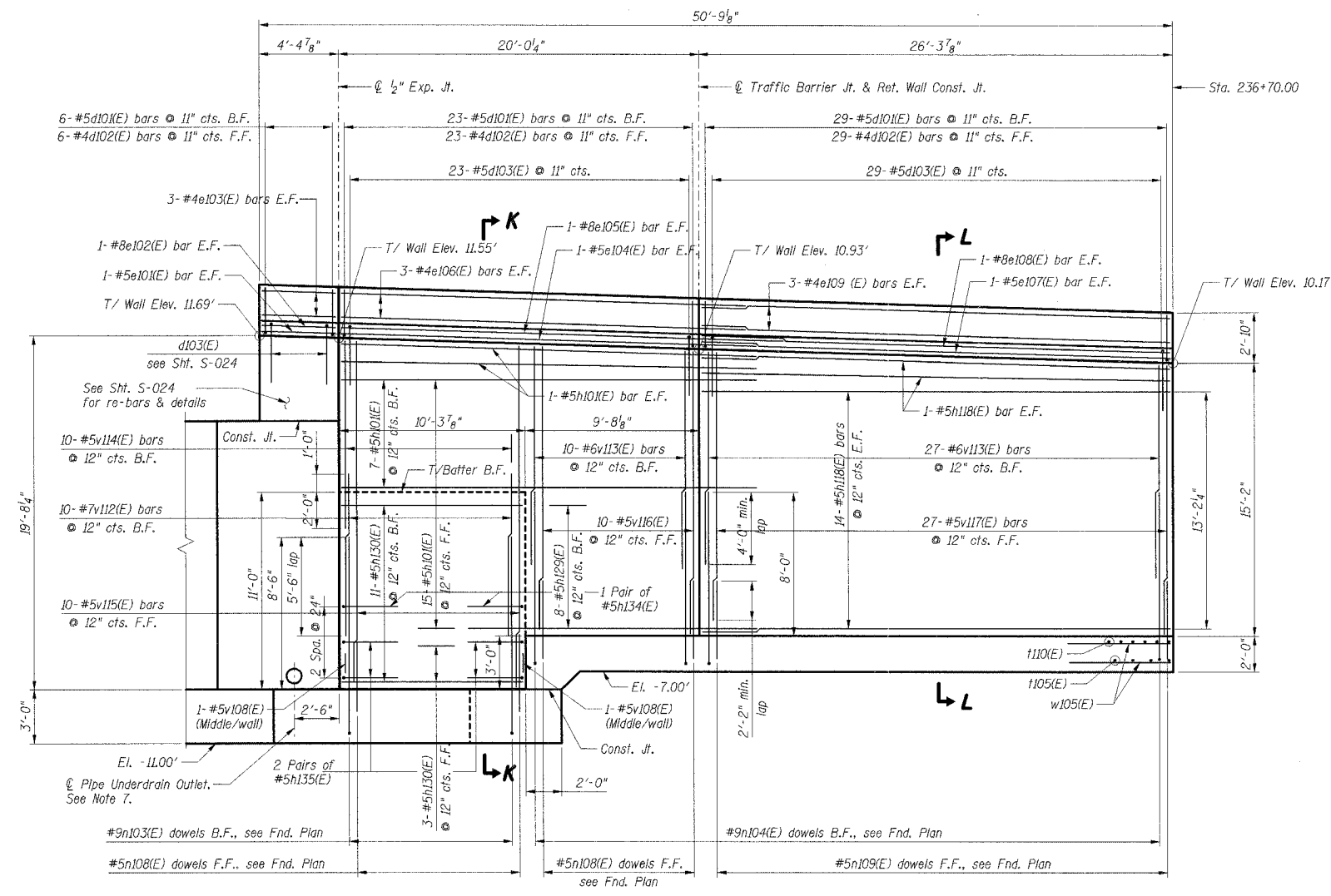


F.A.I. RTE.	SECTION	COUNTY	TOTAL SHEETS	SHEET NO.
57	*	COOK	916	603
STA.	TO STA.			
FED. ROAD DIST. NO.	ILLINOIS	FED. AID PROJECT		
CONTRACT NO. 62304				
*1516.1, 1717, & 1818) R-4				



SOUTHWEST RETAINING WALL ELEVATION
(STAGE I)

Bar	Min. Vert. Lap	Min. Hor. Lap
#5	2'-2"	3'-0"
#6	2'-7"	3'-7"
#7	3'-5"	-
#8	4'-6"	4'-6"
#9	5'-9"	-

- Notes:**
- Reinforcement bars designated (E) shall be epoxy coated.
 - Bars indicated thus 5 x 2-#5 etc. indicates 5 lines of bars with 2 lengths per line.
 - Work this sheet with Shis. S-021 to S-029.
 - For Bar List & Bill of Material, see Shit. S-029.
 - For typical wall details, see Shit. S-040.
 - B.F. denotes Back Face.
 - F.F. denotes Front Face.
 - Tie pipe underdrain outlet to Structure number 5816 (see Drainage Plans). For typical underdrain details, see Shit. S-040.

SHT. S-026

REVISIONS	
NAME	DATE

ILLINOIS DEPARTMENT OF TRANSPORTATION
F.A.I. ROUTE 57 (INTERSTATE 57)
I-57 NB OVER WB CONNECTOR
SN 016-0072 OLD. SN 016-2852 NEW
STA. 238+73.54
COOK COUNTY, SECTION (1516.1, 1717, & 1818) R-4

SOUTHWEST RETAINING WALL

DRAWN BY: HBJ
CHECKED BY: TCU

DATE: 03/07/06

TENG

TENG & ASSOCIATES, INC.
ENGINEERS ARCHITECTS PLANNERS
205 N. MICHIGAN AVE., CHICAGO, IL 60601
TELEPHONE 312.641.0000

\\F:\0000\PROJ\1\1\DOCUMENT\930800\STRUCT\DWG\ABT\0075.DGN
 3-0-2006 15:58:53
 \\F:\0000\PROJ\1\1\DOCUMENT\930800\STRUCT\DWG\ABT\0075.DGN
 3-0-2006 15:58:53