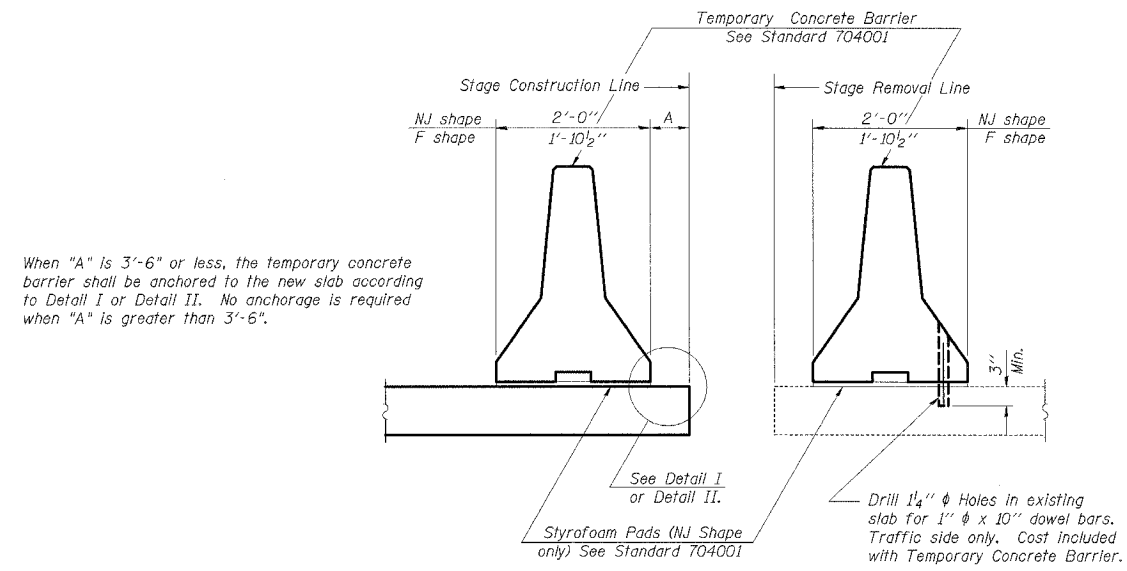


F.A.I. RTE.	SECTION	COUNTY	TOTAL SHEETS	SHEET NO.
57	*	COOK	916	621
STA.	TO STA.			
FED. ROAD DIST. NO.	ILLINOIS	FED. AID PROJECT		
CONTRACT NO. 62304				
•(1516.1, 1717, & 1818) R-4				



NEW SLAB **EXISTING SLAB**

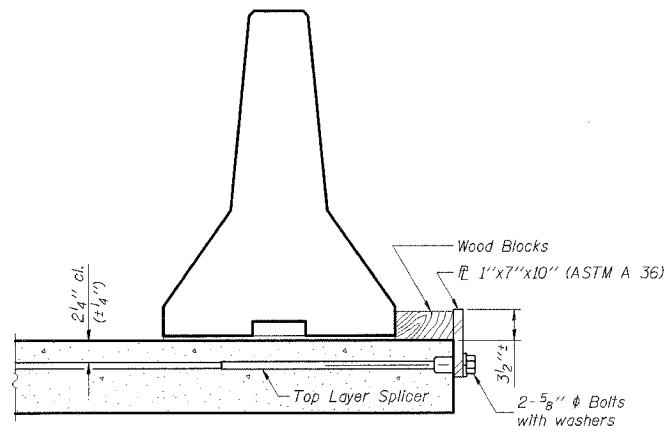
SECTIONS THRU SLAB

NOTES

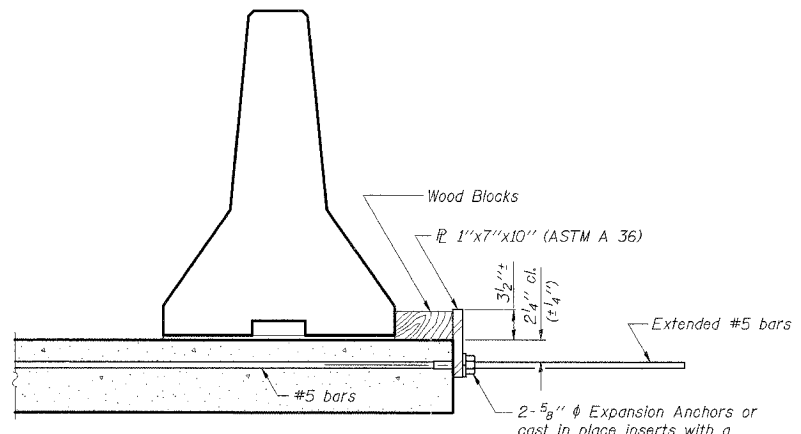
Detail I - With Bar Splicer or Couplers:
Connect one (1) 1"x7"x10" steel \bar{L} to the top layer of couplers with 2-5/8" ϕ bolts screwed to coupler at approximate \bar{C} of each barrier panel.

Detail II - With Extended Reinforcement Bars:
Connect one (1) 1"x7"x10" steel \bar{L} to the concrete slab with 2-5/8" ϕ Expansion Anchors or cast in place inserts spaced between the top layer of reinforcement at approximate \bar{C} of each barrier panel.

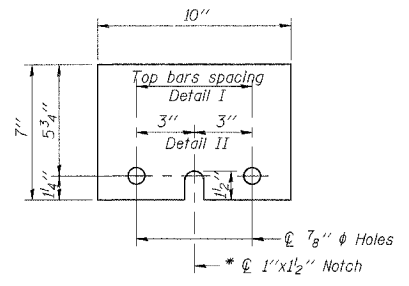
Cost of anchorage is included with Temporary Concrete Barrier.



DETAIL I
The 1"x7"x10" Plate shall not be removed until Stage II Construction forms and reinforcement bars are in place.



DETAIL II
The 1"x7"x10" Plate shall not be removed until Stage II Construction forms and all reinforcement bars are in place and the concrete is ready to be placed.



P 1"x7"x10"
* Required only with Detail II

SHT. S-044

REVISIONS	
NAME	DATE

ILLINOIS DEPARTMENT OF TRANSPORTATION
F.A.I. ROUTE 57 (INTERSTATE 57)
I-57 NB OVER WB CONNECTOR
SN 016-0072 OLD, SN 016-2852 NEW
STA. 238+73.54
COOK COUNTY, SECTION (1516.1, 1717, & 1818) R-4
TEMPORARY CONCRETE BARRIER

DATE: 03/07/06

DRAWN BY: HJ
CHECKED BY: RDS

TENG
TENG & ASSOCIATES, INC.
ENGINEERS ARCHITECTS PLANNERS
305 N. MICHIGAN AVE., CHICAGO, IL 60601
TELEPHONE: 312.461.0000

\NF5-000\PROJ\CIVIL\DOCUMENT\930860\STREET\DRN\STDRAW.CAD:GN
 UDET
 -ARBORDER.DGN 3-01-2006 15:48:37