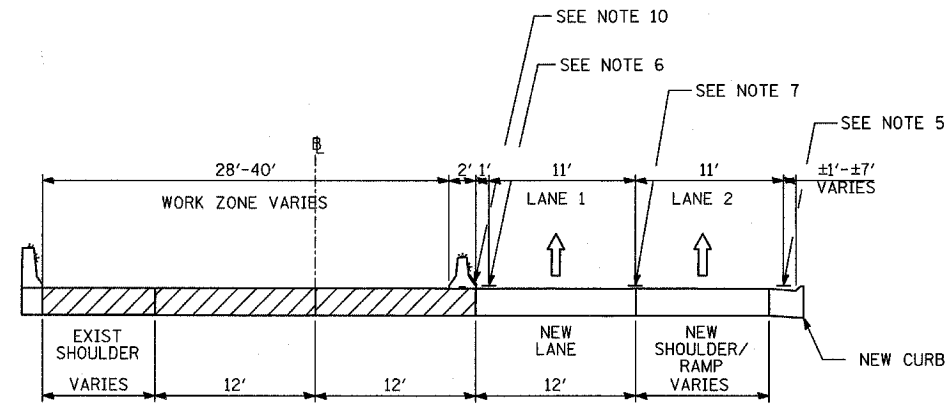


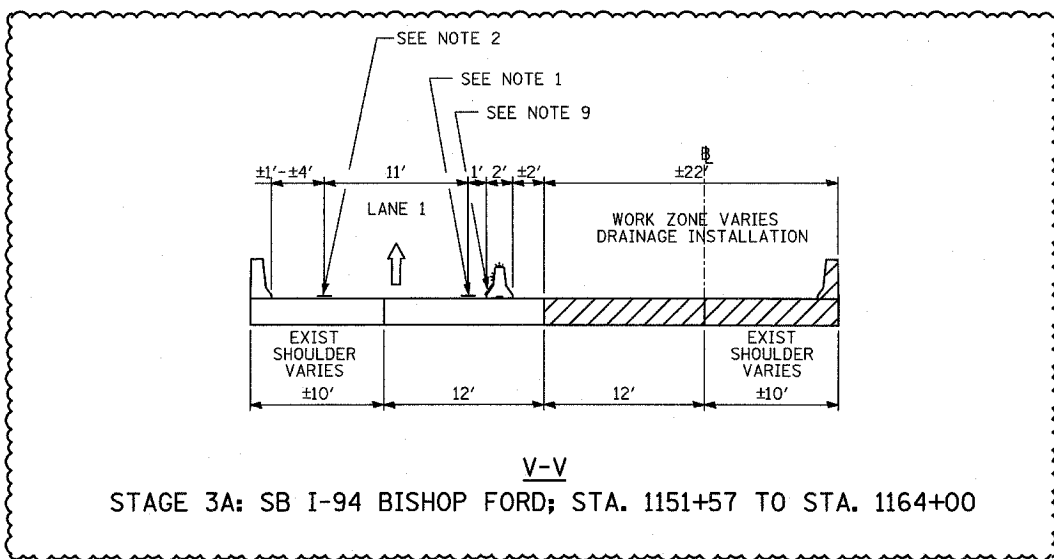
U-U

STAGE 3A: SB I-94 BISHOP FORD; STA. 1133+92 TO STA. 1143+07



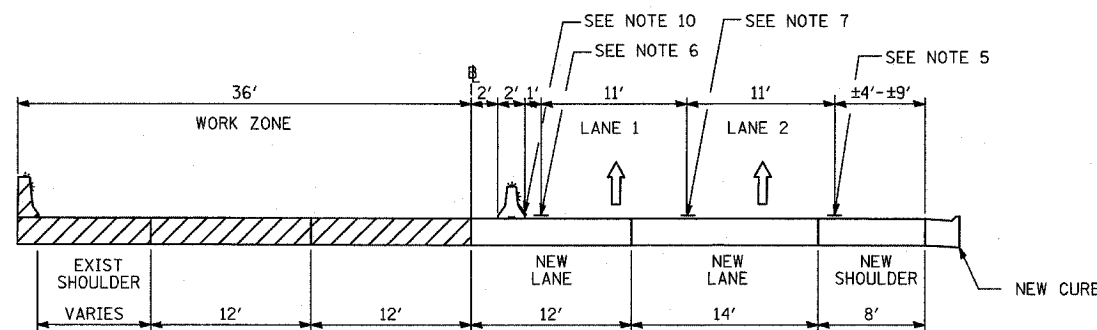
X-X

STAGE 3B: SB I-57; STA. 89+60 TO STA. 103+98



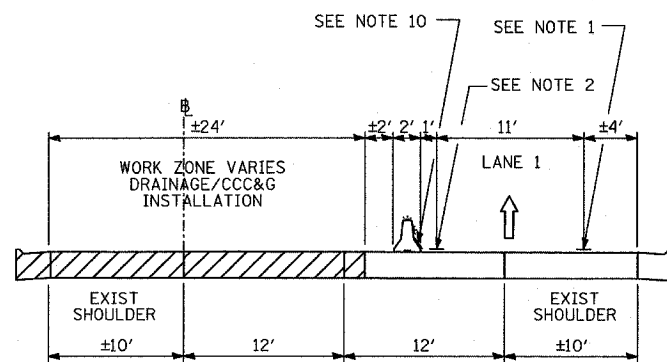
V-V

STAGE 3A: SB I-94 BISHOP FORD; STA. 1151+57 TO STA. 1164+00



Y-Y

STAGE 3B: SB I-57; STA. 107+16 TO STA. 121+36
 STAGE 3C: SB I-57; STA. 107+16 TO STA. 121+36
 STAGE 3D: SB I-57; STA. 107+16 TO STA. 121+36



W-W

STAGE 3A: EB CROSS CONNECTOR; STA. 415+06 TO STA. 421+81

- NOTE 1 - EPOXY PAVEMENT MARKING-LINE 4" (WHITE)
- NOTE 2 - EPOXY PAVEMENT MARKING-LINE 4" (YELLOW)
- NOTE 3 - EPOXY PAVEMENT MARKING-SKIP-DASH 5" (WHITE), 10' LINE WITH 30' SPACE
- NOTE 4 - EPOXY PAVEMENT MARKING LINE 8" (WHITE)
- NOTE 5 - PAVEMENT MARKING TAPE, TYPE III 4" LINE (WHITE)
- NOTE 6 - PAVEMENT MARKING TAPE, TYPE III 4" LINE (YELLOW)
- NOTE 7 - PAVEMENT MARKING TAPE, TYPE III 5" SKIP-DASH (WHITE), 10' LINE WITH 30' SPACE
- NOTE 8 - PAVEMENT MARKING TAPE, TYPE III 8" LINE (WHITE)
- NOTE 9 - TEMPORARY PAVEMENT MARKING-LINE 6" (WHITE)
- NOTE 10 - TEMPORARY PAVEMENT MARKING-LINE 6" (YELLOW)

LEGEND:

- TEMPORARY CONCRETE BARRIER (WITH REFLECTORS ON TOP AND SIDE FACING TRAFFIC)
- TRAFFIC MOVEMENT
- DRUM WITH MONO-DIRECTIONAL STEADY BURNING LIGHT
- SINGLE-FACE CONCRETE BARRIER, 32"
- SINGLE-FACE CONCRETE BARRIER, 32" (WITH REFLECTORS ON TOP AND SIDE FACING TRAFFIC)
- PAVEMENT REMOVAL AREA
- TEMPORARY PAVEMENT

* ALL NOT TYPICAL SECTIONS ARE DRAWN IN THE DIRECTION OF TRAFFIC

REVISIONS	
NAME	DATE

ILLINOIS DEPARTMENT OF TRANSPORTATION
 F.A.I. 94 (DAN RYAN EXPRESSWAY)
 GENERAL NOTES
 CONSTRUCTION STAGING NOTES
 MAINTENANCE OF TRAFFIC DETAILS
 SHEET 6 OF 12

SCALE: NO SCALE DRAWN BY: RTM
 DATE: MARCH 1, 2006 CHECKED BY: TGB

ADDENDUM 1 05/08/06