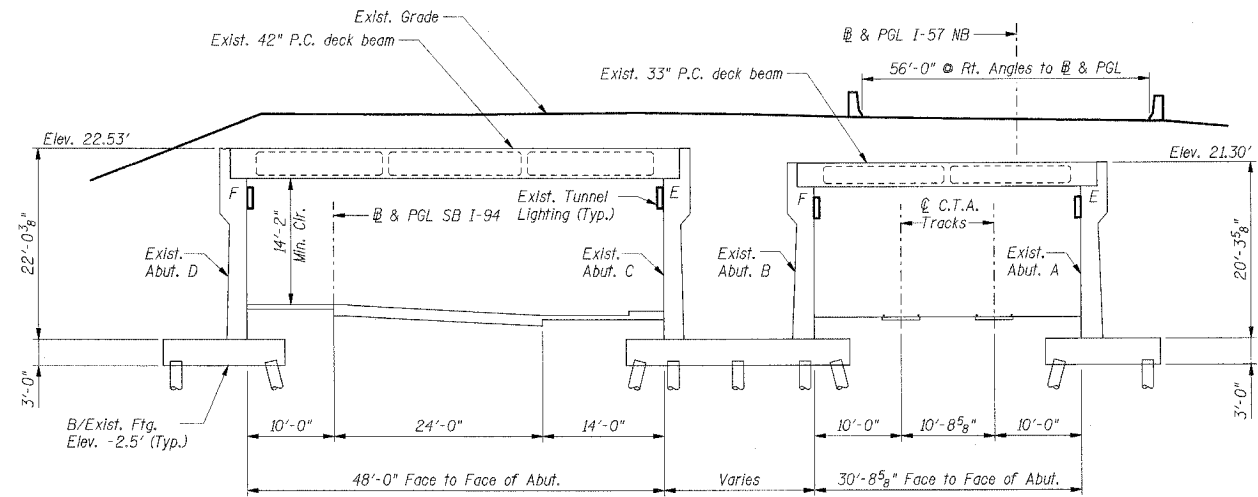
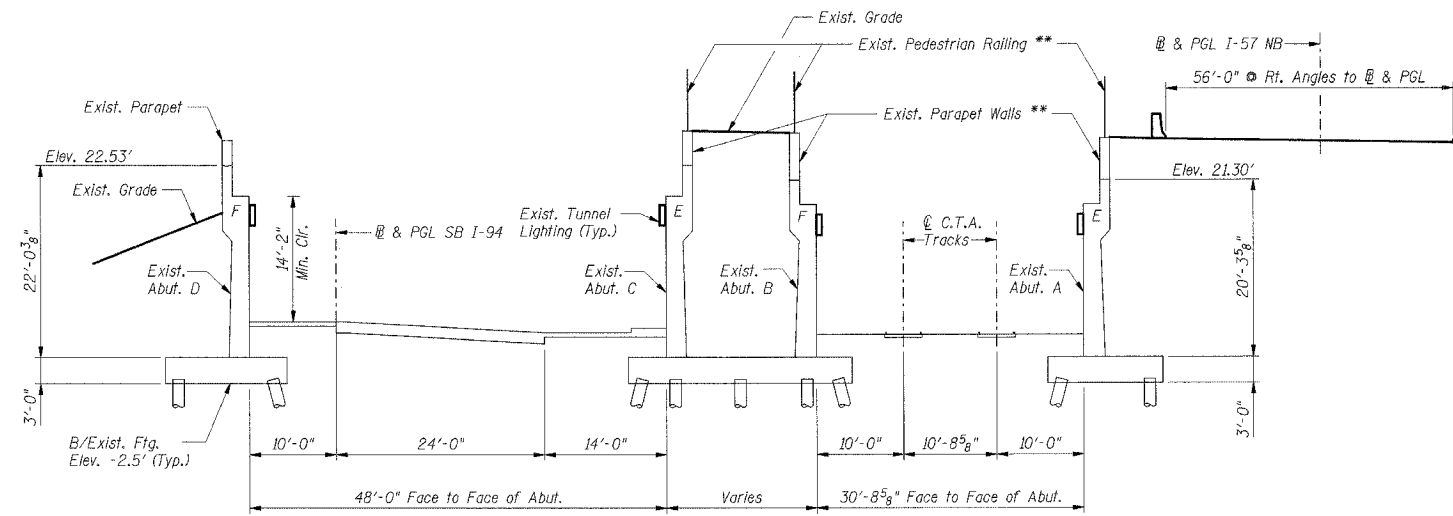


F.A.I. RTE.	SECTION	COUNTY	TOTAL SHEETS	SHEET NO.
57	*	COOK	764	508A
STA.	TO STA.			
FED. ROAD DIST. NO. 1	ILLINOIS	FED. AID PROJECT		
CONTRACT NO. 62593				
SECTION (1516.1, 1717, & 1818) R-5				



**SECTION A-A**



**SECTION B-B**

- NOTES:**
1. Work this sheet with sheet S-001.
  2. \*\* denotes existing elements constructed by others prior to abutment wall repair.

REVISIONS	
NAME	DATE
ADDENDUM 1	05/08/06

ILLINOIS DEPARTMENT OF TRANSPORTATION  
 F.A.I. ROUTE 57 (INTERSTATE 57) OVER  
 F.A.I. ROUTE I-94 SB & CTA TRACKS-BRIDGE REPAIRS  
 SN 016-0073  
 COOK COUNTY  
 SECTION (1516.1, 1717, & 1818) R-5  
 GENERAL SECTIONS

DATE: 05/08/06  
 DRAWN BY: PJS  
 CHECKED BY: MJK



Added Sheet, JFS - 5/8/06



TENG & ASSOCIATES, INC.  
 ENGINEERS/ARCHITECTS/PLANNERS  
 202 N. MICHIGAN AVE., CHICAGO, IL 60601  
 TELEPHONE 312.611.0000

BRBORDER.DGN, VPECOM.T.DGN, URBORORDER.DGN, VPECOM.T.DGN, VAITOOSY.DGN, VTP000146.DGN, VSR000V.DGN  
 5-07-2006, 17:34:37  
 T:\DOCUMENT\030806\INSTRUC\UDN\0600Y02.DGN  
 LEEC