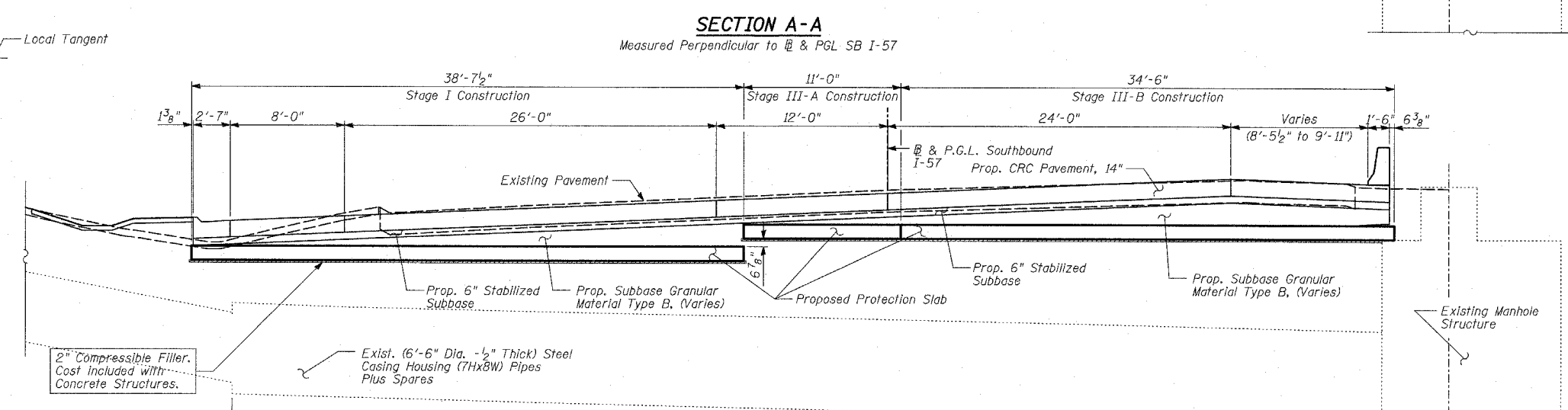
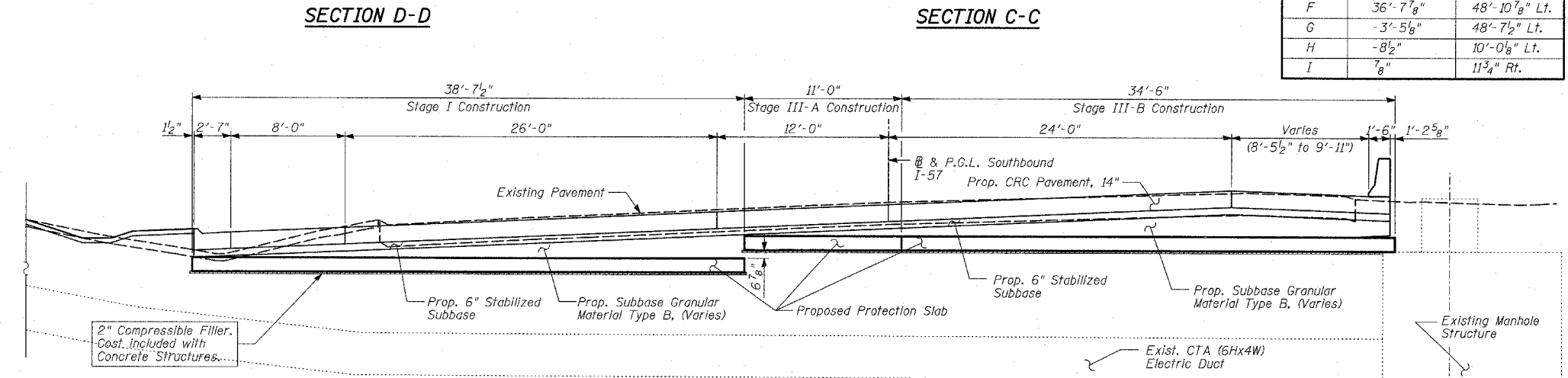
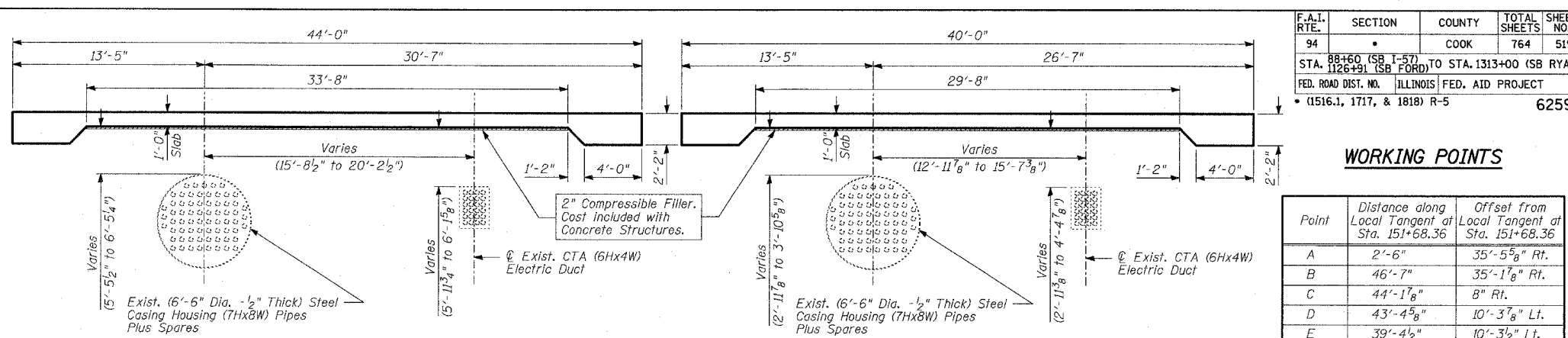
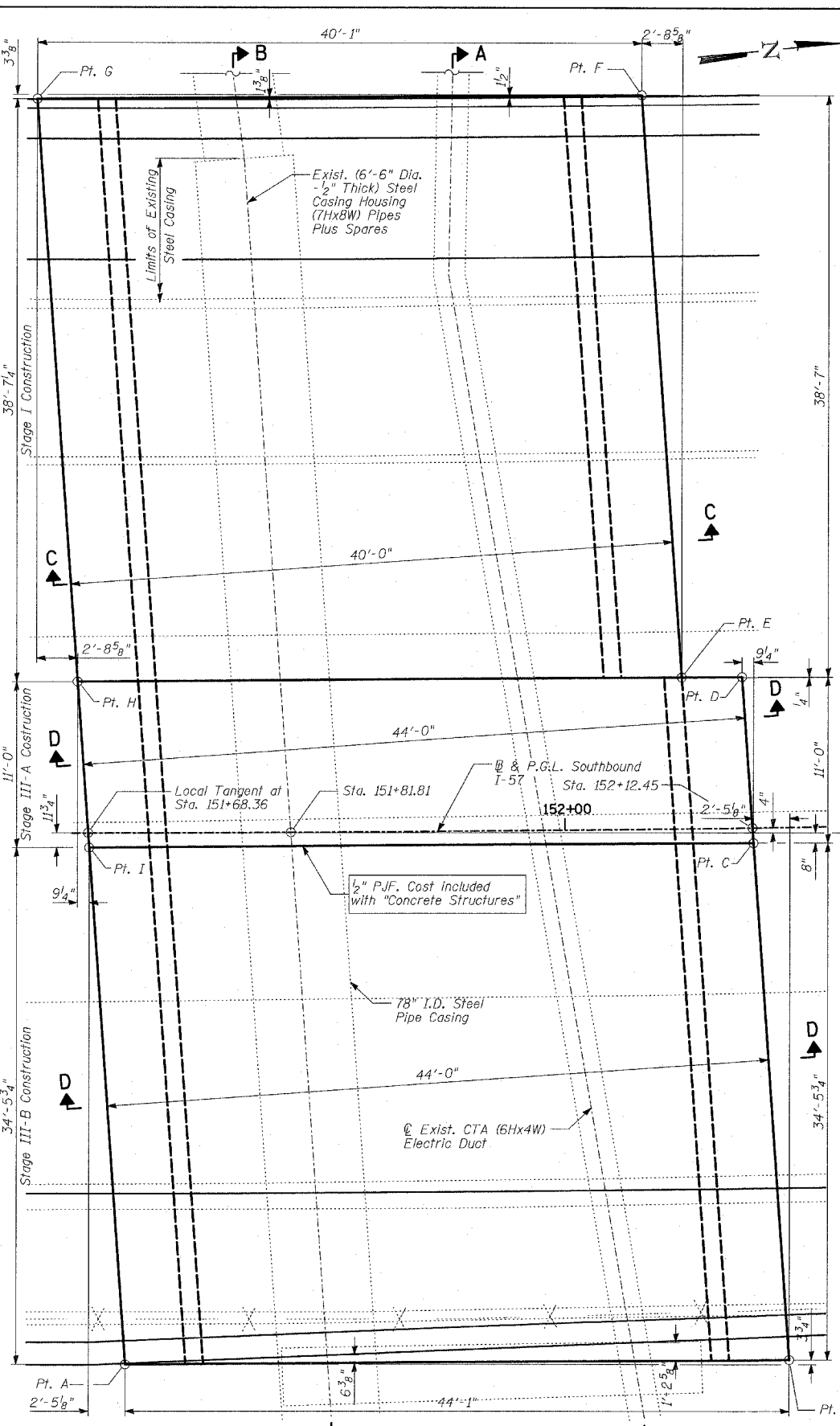


WORKING POINTS

Point	Distance along Local Tangent at Sta. 151+68.36	Offset from Local Tangent at Sta. 151+68.36
A	2'-6"	35'-5 ⁵ / ₈ " Rt.
B	46'-7"	35'-1 ⁷ / ₈ " Rt.
C	44'-1 ⁷ / ₈ "	8" Rt.
D	43'-4 ⁵ / ₈ "	10'-3 ⁷ / ₈ " Lt.
E	39'-4 ¹ / ₂ "	10'-3 ¹ / ₂ " Lt.
F	36'-7 ⁷ / ₈ "	48'-10 ⁷ / ₈ " Lt.
G	-3'-5 ¹ / ₈ "	48'-7 ¹ / ₂ " Lt.
H	-8 ¹ / ₂ "	10'-0 ¹ / ₈ " Lt.
I	7 ¹ / ₈ "	11 ³ / ₄ " Rt.

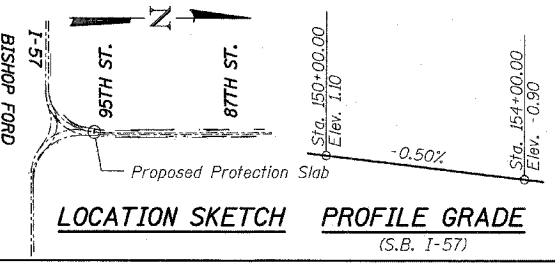


- NOTES:**
- Reinforcement bars shall conform to the requirements of AASHTO M31 or M322 Grade 60.
 - Plan dimensions and details relative to existing structure have been taken from existing plans and are subject to nominal construction variations. It shall be the Contractor's responsibility to verify such dimensions and details in the field and make necessary approved adjustments prior to construction or ordering of materials. Such variations shall not be cause for additional compensation for a change in the scope of the work; however, the Contractor will be paid for the quantity actually furnished at the unit price bid for the work.
 - All exposed concrete edges shall be chamfered 3/4" except as noted.
 - All elevations shown are based on the Chicago City Datum of 0.00, which is 579.19 feet above mean tide New York. (NAVD 88)
 - It is the Contractor's responsibility to locate existing utilities, especially the existing CTA Electric Duct & 78" Steel Pipe Casing. Any repairs due to damage of any utilities shall be the Contractor's responsibility.
 - The Contractor should take extreme caution for the safety and integrity of the CTA Electric Duct during the construction process.
 - Vacuum or hand digging should be used within 2'-0" of CTA Electric Duct.

SECTION B-B
Measured Perpendicular to @ & PGL SB I-57

TOTAL BILL OF MATERIAL

ITEM	UNIT	TOTAL
Structure Excavation	CU YD	412
Concrete Structures	CU YD	166
Reinforcement Bars, Epoxy Coated	POUND	36,870



ILLINOIS DEPARTMENT OF TRANSPORTATION
 PHILLIP D. FREY, S.E. II, Lic. No. 081-001826
 CHICAGO, ILLINOIS
 Expires 11-30-2006

Signed: Phillip D. Frey
 Date: 3/1/06

For drawings 1 thru 4 of 4

SHEET 1 OF 4

REVISIONS	
NAME	DATE

ILLINOIS DEPARTMENT OF TRANSPORTATION
 F.A.I. 94 (DAN RYAN EXPRESSWAY)
 PROTECTION SLAB FOR EXISTING
 CTA DUCTS
 STA. 151+81.81

S.N. DESIGNED BY: MAF, DJR
 SCALE: DRAWN BY: MAF, DJR
 DATE: MARCH 1, 2006 CHECKED BY: MI

TYLIN INTERNATIONAL

DESIGN SPECIFICATION
 AASHTO 2002 Standard Specifications for Highway Bridges

DESIGN STRESSES
FIELD UNITS
 f'c = 3,500 psi
 ty = 60,000 psi (Reinforcement)