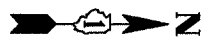
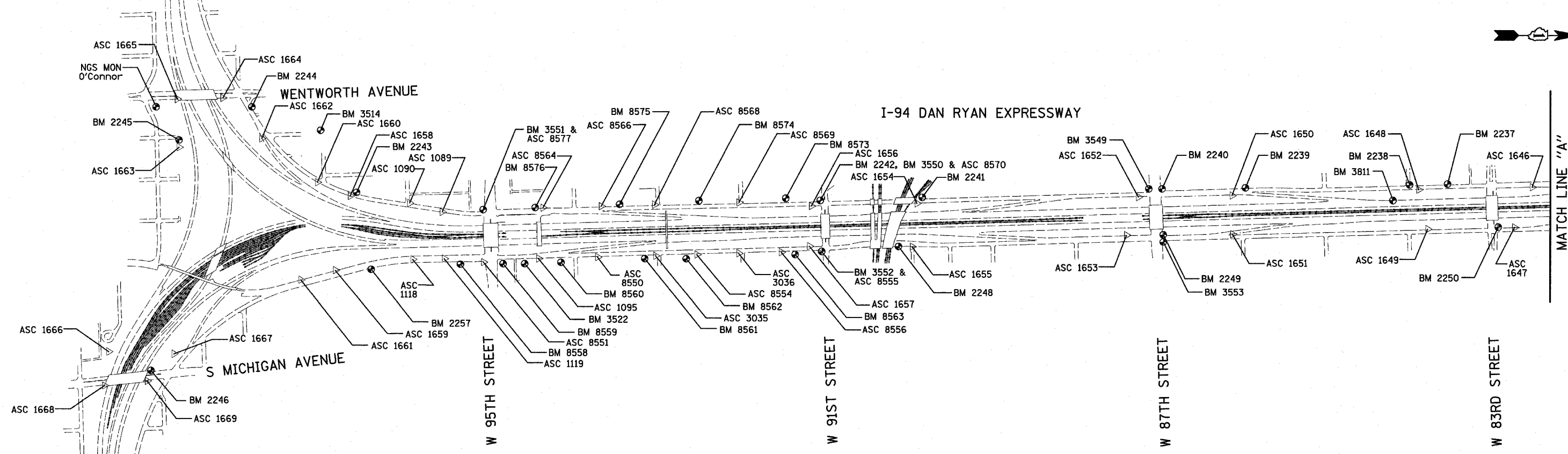
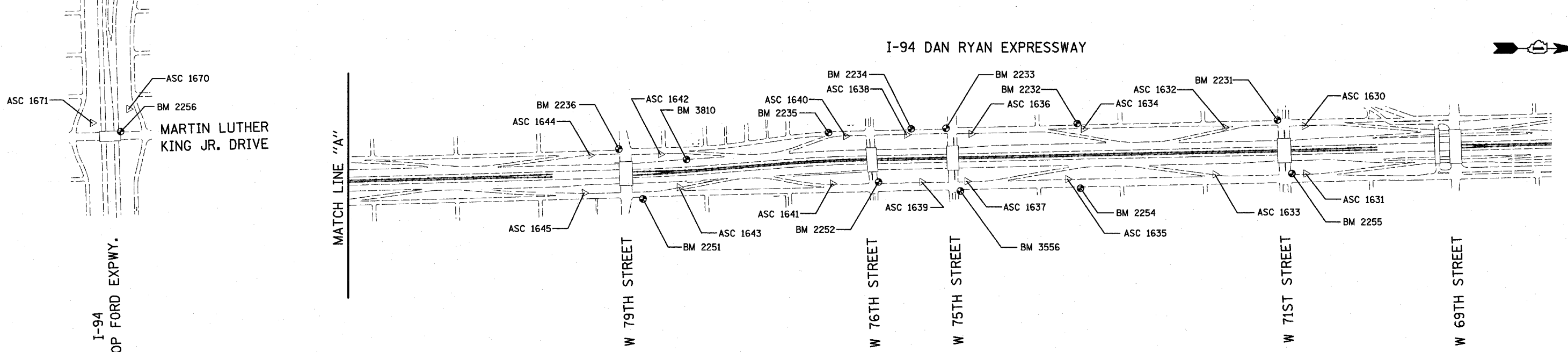
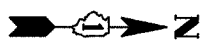


F.A.I. RTE.	SECTION	COUNTY	TOTAL SHEETS	SHEET NO.
94	*	COOK	36	14
STA. 91+00		TO STA. 118+20		
FED. ROAD DIST. NO.		ILLINOIS	FED. AID PROJECT	
* 2005-014L		62937		

I-57 EXPWY  
SEE SHEET 2 OF 7  
MATCH LINE "B"



MATCH LINE "A"



MATCH LINE "A"

I-94 BISHOP FORD EXPWY.

REVISIONS	
NAME	DATE

ILLINOIS DEPARTMENT OF TRANSPORTATION  
F.A.I. 94 (DAN RYAN EXPRESSWAY)  
SURVEY TIES FOR CONTROL POINTS  
SHEET 1 OF 7

SCALE: 1"=400'  
DATE: JANUARY 13, 2006

DRAWN BY: GSP  
CHECKED BY: MMW