

STATE OF ILLINOIS
DEPARTMENT OF TRANSPORTATION
DIVISION OF HIGHWAYS

**PROPOSED
HIGHWAY PLANS**

IDOT /IHPA STATEWIDE
CAHOKIA MOUNDS STATE HISTORIC SITE
SECTION PARK ROADS 2016-04
PARKING AND SIDEWALK IMPROVEMENTS
ST. CLAIR COUNTY

F.A. RTE.	SECTION	COUNTY	TOTAL SHEETS	SHEET NO.
		ST. CLAIR	14	1
		ILLINOIS	CONTRACT NO. 46405	

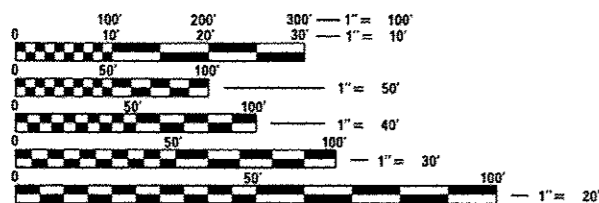
C-30-004-16 D-8

INDEX OF SHEETS

SHEET NO.	SHEET TITLE
1	COVER SHEET
2	INDEX OF SHEETS, GENERAL NOTES, LIST OF STANDARDS, AND DETAILS
3-4	SUMMARY OF QUANTITIES
5	SCHEDULE OF QUANTITIES
6	TYPICAL SECTIONS
7	MONKS MOUND
8	COLLINS RD
9-10	PALISADE PATH AND NATIVE PLANT PLOT
11	SOUTH PARKING LOT
12	LITTLE TWIN MOUNDS PATH
13	HANDICAP PARKING SPACE, RAMP, AND MINOR SIGN DETAILS
14	ENTRANCE SIGN DETAILS

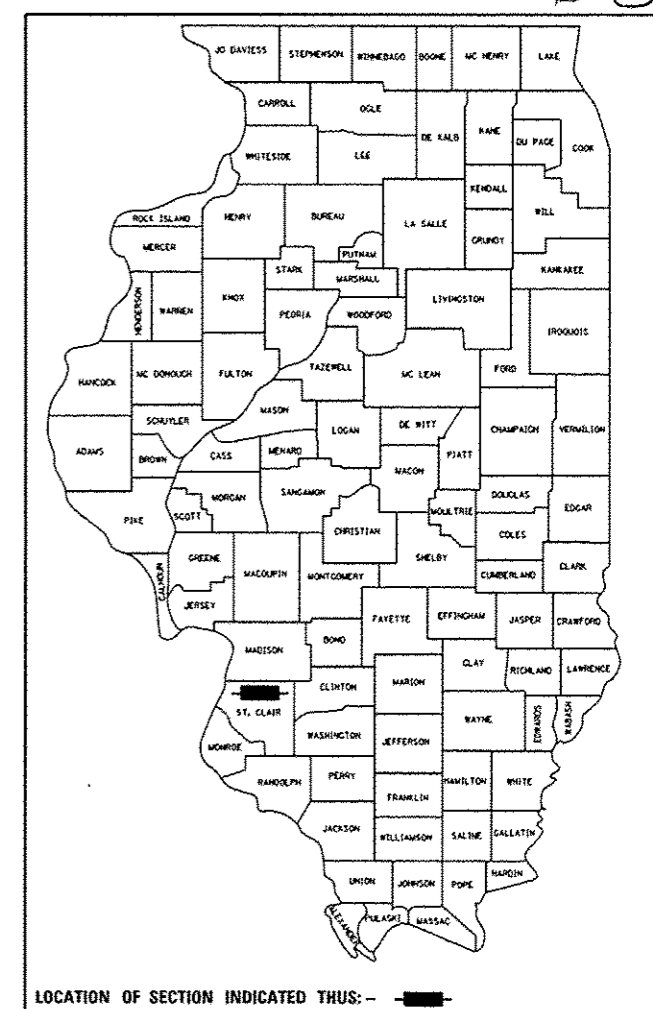
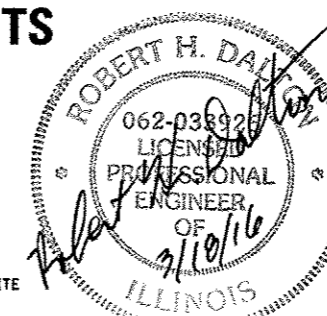
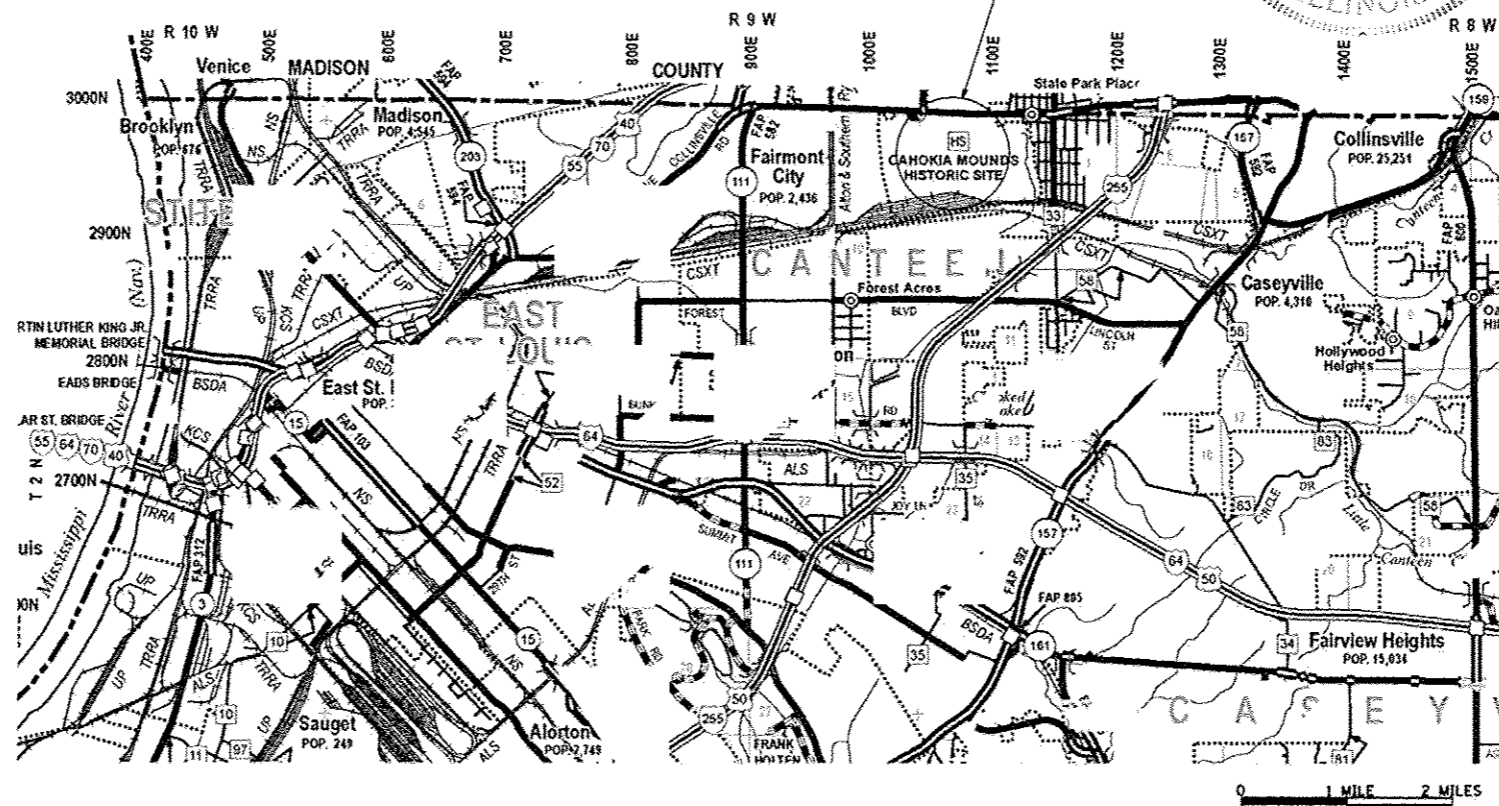
LIST OF STANDARDS

STD. NO.	DESCRIPTION
000001-06	STANDARD SYMBOLS, ABBREVIATIONS AND PATTERNS
001001-02	AREAS OF REINFORCEMENT BARS
001006	DECIMAL OF AN INCH AND OF A FOOT
424001-00	PERPENDICULAR CURB RAMP FOR SIDEWALKS
606001-06	CONCRETE CURB TYPE B AND COMBINATION CONCRETE CURB AND GUTTER
701901-05	TRAFFIC CONTROL DEVICES
720001-01	SIGN PANEL MOUNTING DETAILS
720006-04	SIGN PANEL ERECTION DETAILS
720011-01	METAL POSTS FOR SIGNS, MARKERS AND DELINEATORS
729001-01	APPLICATIONS OF TYPES A & B METAL POSTS (FOR SIGNS & MARKERS)
780001-05	TYPICAL PAVEMENT MARKINGS
STANDARD B.L.R. 21-9	TYPICAL APPLICATION OF TRAFFIC CONTROL DEVICES FOR CONSTRUCTION ON RURAL LOCAL HIGHWAYS



FULL SIZE PLANS HAVE BEEN PREPARED USING STANDARD ENGINEERING SCALES. REDUCED SIZED PLANS WILL NOT CONFORM TO STANDARD SCALES. IN MAKING MEASUREMENTS ON REDUCED PLANS, THE ABOVE SCALES MAY BE USED.

J.U.L.I.E.
JOINT UTILITY LOCATION INFORMATION FOR EXCAVATION
1-800-892-0123
OR 811



LOCATION OF SECTION INDICATED THUS: — ■ —

STATE OF ILLINOIS
DEPARTMENT OF TRANSPORTATION
DIVISION OF HIGHWAYS

SUBMITTED *March 25 2016*
[Signature]
DEPUTY DIRECTOR OF HIGHWAYS, REGION ENGINEER

May 6 2016
[Signature]
ENGINEER OF DESIGN AND ENVIRONMENT

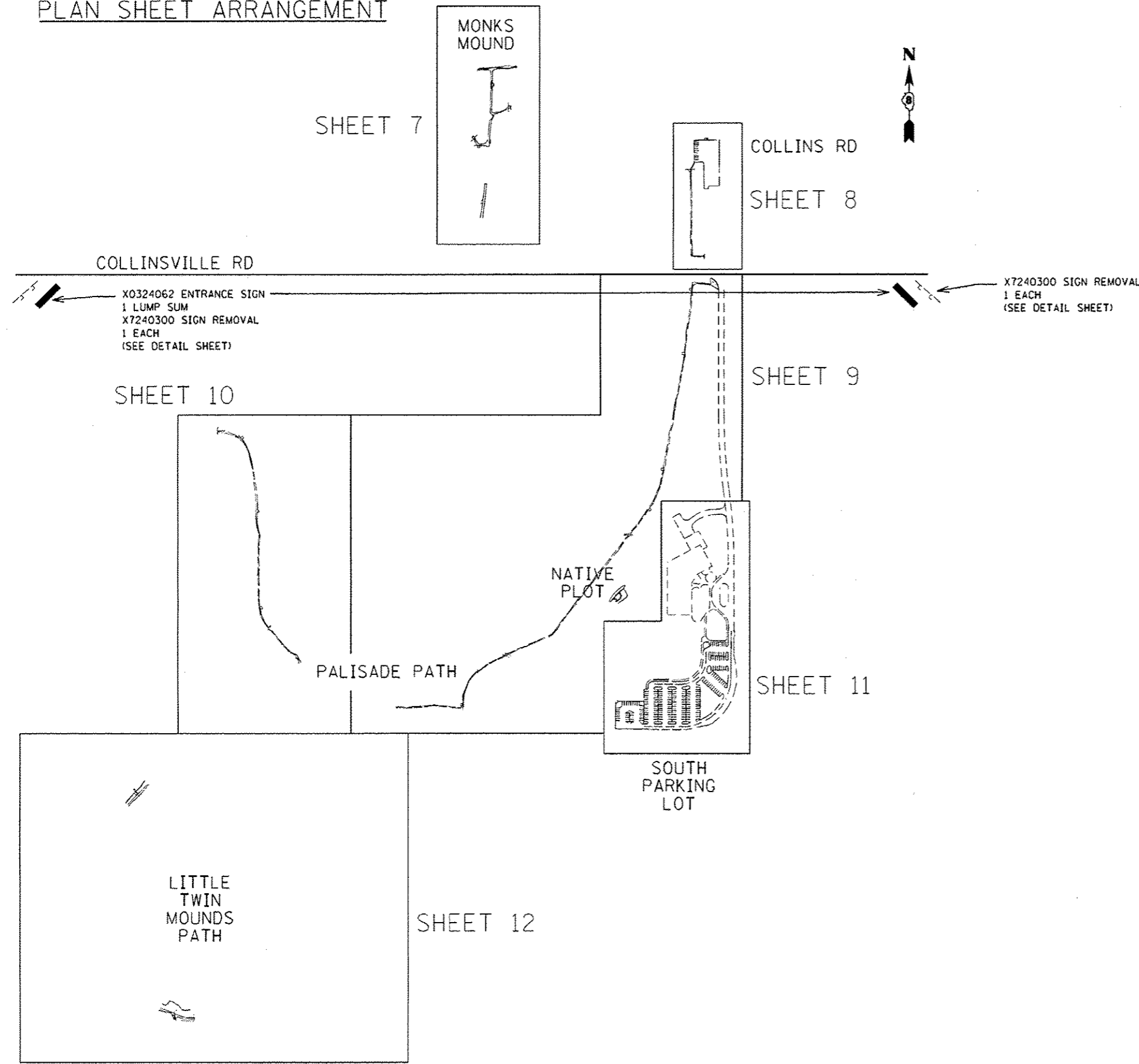
May 6 2016
[Signature]
DIRECTOR OF HIGHWAYS, CHIEF ENGINEER

PRINTED BY THE AUTHORITY
OF THE STATE OF ILLINOIS

PROJECT ENGINEER: VINCE MADONIA (217) 782-4074

CONTRACT NO. 46405

PLAN SHEET ARRANGEMENT



LEGEND

- PROPOSED STORM SEWER
- - - EXISTING STORM SEWER
- - - EXISTING DITCH
- PROPOSED INLET
- ⊕ EXISTING SIGN
- ⊕ EXISTING LIGHT POLE
- ⊕ EXISTING WATER VALVE
- ⊕ EXISTING DECIDUOUS TREE
- ⊕ EXISTING POWER POLE
- ⊕ EXISTING FIRE HYDRANT
- ⊕ EXISTING CATCH BASIN
- ⊕ EXISTING INLET
- ⊕ EXISTING MANHOLE
- ⊕ EXISTING FLARED END SECTION
- ⊕ EXISTING BOLLARD
- ⊕ EXISTING JUNCTION BOX

GENERAL NOTES

- 1) SPECIFICATIONS SHALL BE THE "STANDARD SPECIFICATIONS FOR ROAD AND BRIDGE CONSTRUCTION" ADOPTED APRIL 1, 2016.
- 2) ALL ELEVATIONS ARE REFERENCED TO ELEVATIONS ESTABLISHED BY VASCONCELLES ENGINEERING CORP.
- 3) WHERE SECTION OR SUBSECTION MONUMENTS ARE ENCOUNTERED, THE ENGINEER SHALL BE NOTIFIED BEFORE SUCH MONUMENTS ARE REMOVED. THE CONTRACTOR SHALL PROTECT AND CAREFULLY PRESERVE ALL PROPERTY MARKERS AND MONUMENTS UNTIL THE OWNER AND AUTHORIZED SURVEYOR OR AGENT HAS WITNESSED OR OTHERWISE REFERENCED THEIR LOCATION. IF THE ENGINEER DECIDES TO HAVE THE CONTRACTOR RESET THE MONUMENT, THIS WORK WILL BE PAID FOR IN ACCORDANCE WITH ARTICLE 109.04 OF THE STANDARD SPECIFICATIONS FOR HIGHWAY AND BRIDGE CONSTRUCTION.
- 4) THE CONTRACTOR SHALL CONTACT J.U.L.I.E. TO HAVE PUBLIC AND PRIVATE UTILITIES LOCATED PRIOR TO ANY CONSTRUCTION.
- 5) THE CONTRACTOR SHALL BE RESPONSIBLE FOR PROTECTING UTILITY PROPERTY FROM CONSTRUCTION OPERATIONS AS OUTLINED IN ARTICLE 107.26 OF THE STANDARD SPECIFICATIONS. THE J.U.L.I.E. NUMBER IS (800) 892-0123. A MINIMUM OF 48 HOURS ADVANCE NOTICE IS REQUIRED.
- 6) ANY REFERENCE TO THE STANDARDS THROUGHOUT THE PLANS SHALL BE INTERPRETED TO BE THE LATEST STANDARDS OF THE DEPARTMENT AS INCLUDED IN THESE PLANS.
- 7) THE CONTRACTOR SHALL ASSUME COMPLETE RESPONSIBILITY FOR JOB SITE CONDITIONS DURING THE COURSE OF CONSTRUCTION, INCLUDING SAFETY OF ALL PERSONS AND PROPERTY. THAT THIS REQUIREMENT SHALL APPLY CONTINUOUSLY AND NOT BE LIMITED TO NORMAL WORKING HOURS, AND THAT THE CONTRACTOR SHALL DEFEND, IDEMNIFY, AND HOLD THE OWNER AND THE ENGINEER HARMLESS FROM ANY AND ALL LIABILITY, REAL OR ALLEGED, IN CONNECTION WITH THE PERFORMANCE OF WORK ON THIS PROJECT, EXCEPTING FOR THE LIABILITY ARISING FROM THE SOLE NEGLIGENCE OF THE OWNER OR THE ENGINEER.
- 8) ALL CONSTRUCTION LAYOUT SHALL BE THE RESPONSIBILITY OF THE CONTRACTOR.
- 9) THE CONTRACTOR SHALL SEED ALL DISTURBED AREAS WITHIN THE PROJECT LIMITS. SEEDING SHALL BE CLASS I. CONFIRM WITH SITE REPRESENTATIVES THAT THESE MATERIALS ARE ACCEPTABLE FOR THE SITE. THIS WORK WILL BE INCLUDED IN THE CONTRACT UNIT PRICE PER SQ YD FOR "TOPSOIL, FURNISH AND PLACE, VARIABLE DEPTH".
- 10) FERTILIZER SHALL BE APPLIED TO ALL DISTURBED AREAS AND INCORPORATED INTO THE SEEDBED PRIOR TO SEEDING OR PLACEMENT OF SOD AT THE RATE SPECIFIED IN SECTIONS 250 AND 252 OF THE STANDARD SPECIFICATIONS. THIS WORK SHALL BE INCLUDED IN THE COST OF "TOPSOIL, FURNISH AND PLACE, VARIABLE DEPTH".
- 11) MULCH METHOD II SHALL BE APPLIED OVER ALL SEEDDED AREAS. THIS SHALL BE INCLUDED IN THE COST OF "TOPSOIL, FURNISH AND PLACE, VARIABLE DEPTH".

FILE NAME *	USER NAME * brienn	DESIGNED -	REVISED -	STATE OF ILLINOIS DEPARTMENT OF TRANSPORTATION	INDEX OF SHEETS CAHOKIA MOUNDS STATE HISTORIC SITE	F.A. RTE.	SECTION	COUNTY	TOTAL SHEETS	SHEET NO.		
S:\CAD Drawings\CAD Drawings\CAD Drawings\258\258-061-AE Cahokia Mounds\ant.B2.ind	*258\258-061-AE Cahokia Mounds\ant.B2.ind	DRAWN	REVISED									
PLOT SCALE * 48.0000 1/1 in.		CHECKED -	REVISED -			SCALE:	SHEET	OF	SHEETS	STA.	TO	STA.
PLOT DATE * 3/17/2016		DATE -	REVISED -			ILLINOIS FED. AID PROJECT						

URBAN
CONSTR. CODE
100% STATE

CODE NO.	ITEM	UNIT	TOTAL QUANTITY	ROADWAY S.N.
21101600	TOPSOIL FURNISH AND PLACE, VARIABLE DEPTH	SQ YD	2,916	2,916
35101800	AGGREGATE BASE COURSE, TYPE B 6"	SQ YD	19	19
40200800	AGGREGATE SURFACE COURSE, TYPE B	TON	737	737
42400200	PORTLAND CEMENT CONCRETE SIDEWALK 5 INCH	SQ FT	64	64
42400800	DETECTABLE WARNINGS	SQ FT	19	19
44000300	CURB REMOVAL	FOOT	115	115
44000600	SIDEWALK REMOVAL	SQ FT	64	64
45100200	CRACK FILLING	POUND	2,700	2,700
50105220	PIPE CULVERT REMOVAL	FOOT	8	8
542C0213	PIPE CULVERTS, CLASS C, TYPE 1 8"	FOOT	13	13
60600605	CONCRETE CURB, TYPE B	FOOT	128	128
67100100	MOBILIZATION	LSUM	1	1
* 72000100	SIGN PANEL - TYPE 1	SQ FT	17	17
* 72900100	METAL POSTS, TYPE A	FOOT	132	132
* 78001100	PAINT PAVEMENT MARKING - LETTERS AND SYMBOLS	SQ FT	84	84

*Specialty Items

FILE NAME =	USER NAME = brianm	DESIGNED =	REVISED =	STATE OF ILLINOIS DEPARTMENT OF TRANSPORTATION	SUMMARY OF QUANTITIES CAHOKIA MOUNDS STATE HISTORIC SITE	F.A. RTE.	SECTION	COUNTY	TOTAL SHEETS	SHEET NO.
S:\CAD Drawings\CAD Drawings\CAD Drawings\250\250-061-AE Cahokia Mounds\shs_03 04	R:\DRAWING\shs\edgn	CHECKED =	REVISED =			ST. CLAIR	14	3		
Default	PLOT SCALE = 40.0000 1/ in.	DATE =	REVISED =			CONTRACT NO. 46405				
	PLOT DATE = 4/4/2016					ILLINOIS FED. AID PROJECT				

SCALE: SHEET OF SHEETS STA. TO STA.

SIGN SCHEDULE															
LOCATION	STA.						AGGR BSE CSE, TY B, 6" (SQ YD)	PARK BENCHES (EACH)	MINOR SIGN COMPLETE (EACH)	SIGN PANEL - TYPE I (SQ FT)	METAL POST, TY A (FOOT)	REM AND RELOCATE SIGN (SPCL) (EACH)	REM & REPL SIGN AND SUPPORTS (EACH)	ENTRANCE SIGN (LUMP SUM)	SIGN REMOVAL (EACH)
Little Twin Mounds Path							35101800	X0321158	XX005644	72000100	72900100	X0327008	X0327172	X0324062	X7240300
	600+21.77	20.5'	LT	to	600+41.60	21.7'	10.3	1	1						
	701+01.52	5.39'	LT	to	701+16.47	6.55'	8.3	1	1						
Monks Mound Path															
	403+05.32	32.38'	LT	to	403+08.36	32.72'						1			
	403+42.82	58.42'	LT	to	403+34.24	52.94'						1			
	404+82.18	92.60'	RT	to	404+79.47	82.17'						1			
	404+80.90	89.31'	RT	to	404+76.93	79.47'						1			
	406+37.84	1.27'	RT							1.5	12				
Entire Site	Ten signs, same as previous sign 406+37.84, placed at direction of site personnel										15	120			
Native Plant Plot															
	310+31.79	103.81	RT	to	310+41.92	104.26							1		
Collinsville Rd.														1	2
	west/east														
TOTALS =							19	2	2	17	132	4	1	1	2

PAVING SCHEDULE				
LOCATION	STA.			
South Park Lot				
	100+00.00	to	101+20.28	300.0
	101+20.28	to	101+81.73	300.0
	101+81.73	to	102+59.59	300.0
	102+59.59	to	103+01.61	300.0
	103+01.61	to	104+88.14	300.0
	104+88.14	to	106+14.93	300.0
	106+14.93	to	107+05.42	300.0
	107+05.42	to	107+91.68	300.0
Collins Ln Parking Lot				
	500+00.00	to	502+09.34	300.0
TOTALS =				2,700
				3,300

PAVEMENT MARKING SCHEDULE							
LOCATION	STA.			PAINT PVT MKG - LTR & SYM (SQ FT)	PAINT PVT MKG - LINE 4" (FOOT)	PAINT PVT MKG - LINE 6" (FOOT)	REM AND REINSTALL PKG BLOCKS (EACH)
South Park Lot				78000100	78000200	78000400	X0300019
	100+00.00	to	101+20.35		1,236		18
	101+20.35	to	104+88.14	31	2,618	82	
	104+88.14	to	106+13.40	31	468	135	
	106+13.40	to	106+75.00		128		
	106+75.00	to	107+91.68	19	171	721	
Collins Ln Parking Lot							
	504+39.95	to	505+04.87	3	144	123	34
TOTALS =				84	4,765	1,061	52

AGGREGATE PATH SCHEDULE										
LOCATION	STA.						TOPSOIL FURN & PLACE, VAR DEPTH (SQ YD)	AGGR SURF, TY B (TON)	TIMBER CURB (FOOT)	HERBICIDE SPRAYING (ACRE)
Palisade Path							21601600	40200800	X0322878	K0012950
	200+35.67	22.37'	RT	to	210+39.23	11.96'	598	126		0.115
	300+01.43	8.35'	LT	to	304+88.27	9.84'	288	61		0.056
	305+01.46	10.21'	LT	to	312+70.28	7.43'	456	97		0.088
	312+76.71	10.21'	LT	to	325+00.36	8.81'	725	168		0.155
Native Plant Plot										
	310+06.84	103.87	RT	to	310+74.92	112.15		31		
Monks Mound										
	400+00.00	11.50'	RT	to	401+46.70	11.0'	87	37		0.034
	403+08.01	5.39'	RT	to	406+24.66	8.93'	189	79		0.074
	403+17.34	0.94'	RT	to	403+47.24	57.16'	47	10		
	404+48.23	16.05'	RT	to	404+81.30	93.27'	50	32		
	406+29.05	37.34'	LT	to	406+30.75	95.85'	193	33	157	
Collins Ln Pkg Lot										
	500+34.38	7.12'	LT	to	504+36.17	48.75'	275	58		0.052
Little Twin Mounds Path										
	700+63.89	19.42'	LT	to	700+67.59	47.23'	8	5		0.001
TOTALS =							2,916	737	157	0.6

DRAINAGE SCHEDULE								
LOCATION	STA.					PIPE CULV REM (FOOT)	PIPE CULV, CL C, TY 1, 8" (FOOT)	EARTH EXC (SPCL) (CU YD)
Little Twin Mounds Path						50105220	542C0213	X2020410
	700+58.52	31.5'	LT	to	700+71.13	31.3'	8	12.5
South Parking Lot								
	100+00.00	8.0'	RT	to	100+20.00	8.0'		72
Entrance Signs								
	east							
	west							
TOTALS =						8	13	72

HANDICAP RAMP SCHEDULE					
LOCATION	STA.				
South Park Lot					
	assumed				
	107+45.75	93.7'	RT	to	107+57.63
					93.7'
TOTALS =					

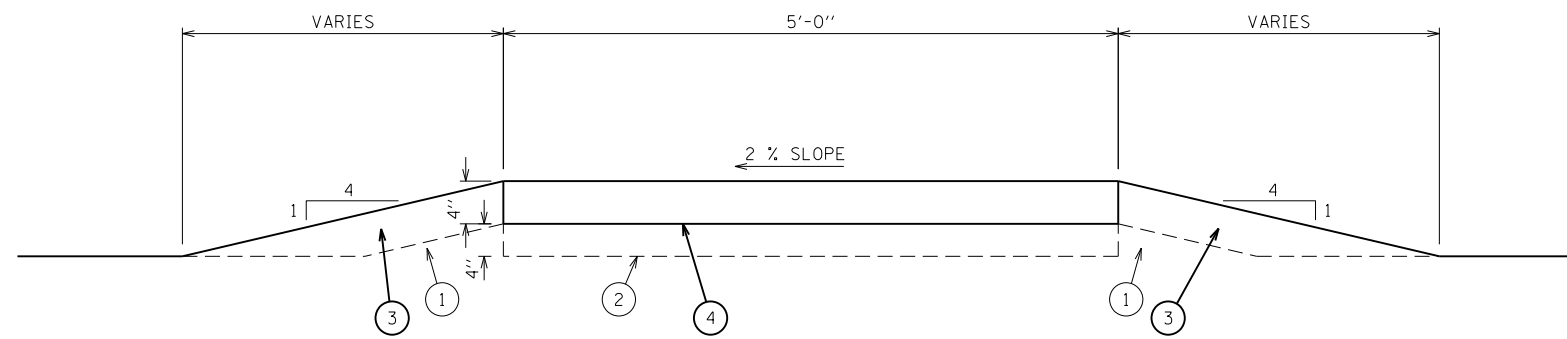
FILE NAME =	USER NAME = brianm	DESIGNED -	REVISED -
S:\CAD Drawings\CAD Drawings\250\250-061-AE Cahokia Mounds\sh.t.05 Sched		DRAWN Quantities.dgn	REVISED -
Default	PLOT SCALE = 40.0000 ' / in.	CHECKED -	REVISED -
	PLOT DATE = 4/4/2016	DATE -	REVISED -

**STATE OF ILLINOIS
DEPARTMENT OF TRANSPORTATION**

**SCHEDULE OF QUANTITIES
CAHOKIA MOUNDS STATE HISTORIC SITE**

SCALE: SHEET OF SHEETS STA. TO STA.

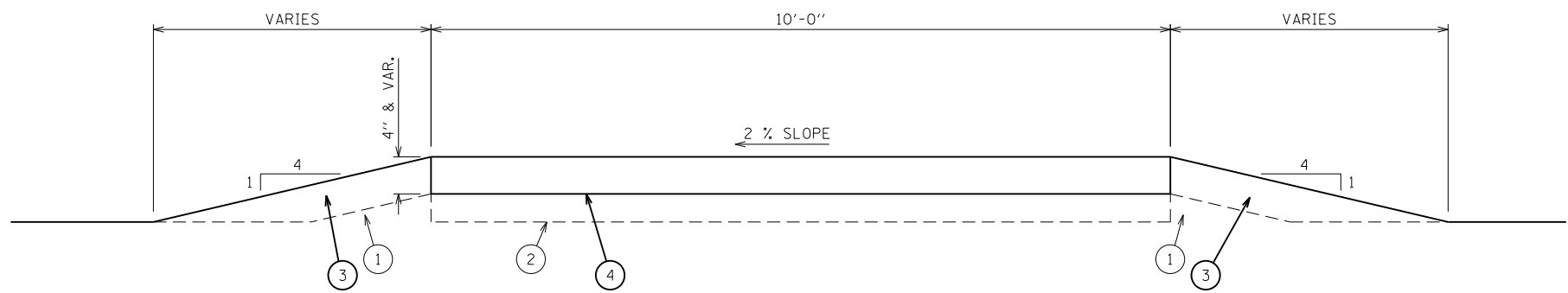
F.A. RTE.	SECTION	COUNTY	TOTAL SHEETS	SHEET NO.
		ST. CLAIR	14	5
			CONTRACT NO. 46405	
ILLINOIS FED. AID PROJECT				



PALISADE PATH AND COLLINS LANE SECTION

STA. 200+35.67 TO STA. 210+39.23
 STA. 300+00.00 TO STA. 304+88.27
 STA. 305+01.46 TO STA. 312+70.28
 STA. 312+76.71 TO STA. 325+00.36
 STA. 500+34.48 TO STA. 504+36.17

- LEGEND**
- ① EXISTING TOPSOIL
 - ② EXISTING AGGREGATE SURFACE COURSE, TYPE B
 - ③ 21101600 TOPSOIL FURNISH AND PLACE, VAR. DEPTH
 - ④ 40200800 AGGREGATE SURFACE COURSE, TY B, 4"



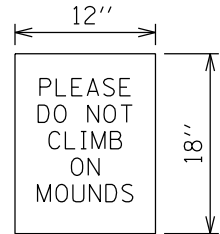
PATH BETWEEN STAIRS ON MONKS MOUND

STA. 400+00.00 TO STA. 401+46.70
 STA. 403+08.01 TO STA. 406+24.66

FILE NAME =	USER NAME = briam	DESIGNED -	REVISED -	STATE OF ILLINOIS DEPARTMENT OF TRANSPORTATION	TYPICAL SECTIONS CAHOKIA MOUNDS STATE HISTORIC SITE			F.A. RTE.	SECTION	COUNTY	TOTAL SHEETS	SHEET NO.	
S:\CAD Drawings\CAD Drawings\CAD Drawings\250\250-061-AE Cahokia Mounds\sh.t.06 Typ	DRAWN.dgn	REVISIONS	REVISIONS							ST. CLAIR	14	6	
Default	PLOT SCALE = 40.0000' / in.	CHECKED -	REVISIONS		SCALE: NTS	SHEET	OF	SHEETS	STA.	TO	STA.	CONTRACT NO. 46405	
	PLOT DATE = 3/16/2016	DATE -	REVISIONS									ILLINOIS FED. AID PROJECT	

NOTE: BEFORE PLACEMENT OF THE SURFACE AGGREGATE, THE EXISTING VEGETATION ON THE PATH WILL BE REMOVED AND HERBICIDE SPRAYING SHALL BE DONE.

72000100 SIGN PANEL, TY 1
 STA. 406+37.84 1.27' RT
 1.5 SQ FT
 72900100 METAL POST, TY A
 STA. 406+37.84, 1.27' RT
 12 FOOT
 P.T. STA. 406+52.59
 N = 7,680.29
 E = 3,948.35



SIGN PANEL, TYPE I

PROP CURVE 4
 P.I. STA. = 203+26.61
 $\Delta = 7^\circ 28' 24''$
 $D = 1^\circ 08' 45''$
 $R = 5,000.92'$
 $T = 326.61'$
 $L = 652.29'$
 $E = 10.65'$
 $N = 7,722.04$
 $E = -1,052.39$

X0327008 REMOVE AND RELOCATE SIGN (SPECIAL) (RELOCATE MINOR SIGN COMPLETE 10' SOUTHEAST)
 STA. 403+42.82 58.42' LT TO STA. 403+34.24 52.94' LT
 1 EACH

X0327008 REMOVE AND RELOCATE SIGN (SPECIAL) (RELOCATE MINOR SIGN COMPLETE) 3' NORTH
 STA. 403+05.32 32.38' LT TO STA. 403+08.36 32.72' LT
 1 EACH

CONTRACTOR'S PATH TO THE TOP OF THE CREST

40200800 AGGR SURF, TY B, 4"
 STA. 400+00.00 11.50' RT TO STA. 401+46.70 11.00' RT
 37 TON
 21101600 TOPSOIL, FURNISH AND PLACE, VAR DEPTH
 STA. 400+00.00 11.50' RT TO STA. 401+46.70 11.00' RT
 87 SQ YD

EXIST. CONC PAD, MINOR SIGN COMPLETE, AND PARK BENCH

P.T. STA. 400+00.00
 N = 7,030.22
 E = 3,900.44

EXIST. STEPS

EXIST. CONC PAD, AND MINOR SIGN COMPLETE

21101600 TOPSOIL, FURNISH AND PLACE, VAR DEPTH
 STA. 406+29.05 37.34' LT TO STA. 406+30.75 95.85' RT
 193 SQ YD

X0322878 TIMBER CURB (W/ 12" X 12" TIMBERS)
 STA. 406+29.05 37.34' LT TO STA. 406+30.75 95.85' RT
 157 FOOT

40200800 AGGR SURF, TY B, 4"
 STA. 406+09.05 37.34' LT TO STA. 406+30.75 95.85' RT
 33.4 TON

21101600 TOPSOIL, FURNISH AND PLACE, VAR DEPTH
 STA. 403+08.01 5.39' RT TO STA. 406+24.66 8.93' RT
 189 SQ YD

40200800 AGGR SURF, TY B, 4"
 STA. 403+08.01 5.39' RT TO STA. 406+24.66 8.93' RT
 79 TON

X0327008 REMOVE AND RELOCATE SIGN (SPECIAL) (RELOCATE BOTH SIGNS 10' WEST)
 STA. 404+82.18 92.60' RT TO STA. 404+79.47 82.17' RT
 STA. 404+80.90 89.31' RT TO STA. 404+76.93 79.47' RT
 2 EACH

40200800 AGGR SURF, TY B, 4"
 STA. 404+48.23 16.05' RT TO STA. 404+81.30 93.27' RT
 32 TON

21101600 TOPSOIL, FURNISH AND PLACE, VAR DEPTH
 STA. 404+48.23 16.05' RT TO STA. 404+81.30 93.27' RT
 50 SQ YD

EXIST. CONC PAD, MINOR SIGN COMPLETE, AND PARK BENCH

40200800 AGGR SURF, TY B, 4"
 STA. 403+17.34 0.94' RT TO STA. 403+47.24 57.16' RT
 10 TON

21101600 TOPSOIL, FURNISH AND PLACE, VAR DEPTH
 STA. 403+17.34 0.94' RT TO STA. 403+47.24 57.16' RT
 47 SQ YD

EXIST. STEPS

40200800 AGGR SURF, TY B, 4"
 STA. 400+00.00 11.50' RT TO STA. 401+46.70 11.00' RT
 37 TON
 21101600 TOPSOIL, FURNISH AND PLACE, VAR DEPTH
 STA. 400+00.00 11.50' RT TO STA. 401+46.70 11.00' RT
 87 SQ YD

EXIST. CONC PAD, MINOR SIGN COMPLETE, AND PARK BENCH

P.T. STA. 400+00.00
 N = 7,030.22
 E = 3,900.44

EXIST. STEPS

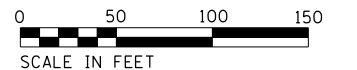
EXIST. CONC PAD, AND MINOR SIGN COMPLETE

STATE OF ILLINOIS
 DEPARTMENT OF TRANSPORTATION

MONKS MOUND PATH
 CAHOKIA MOUNDS STATE HISTORIC SITE

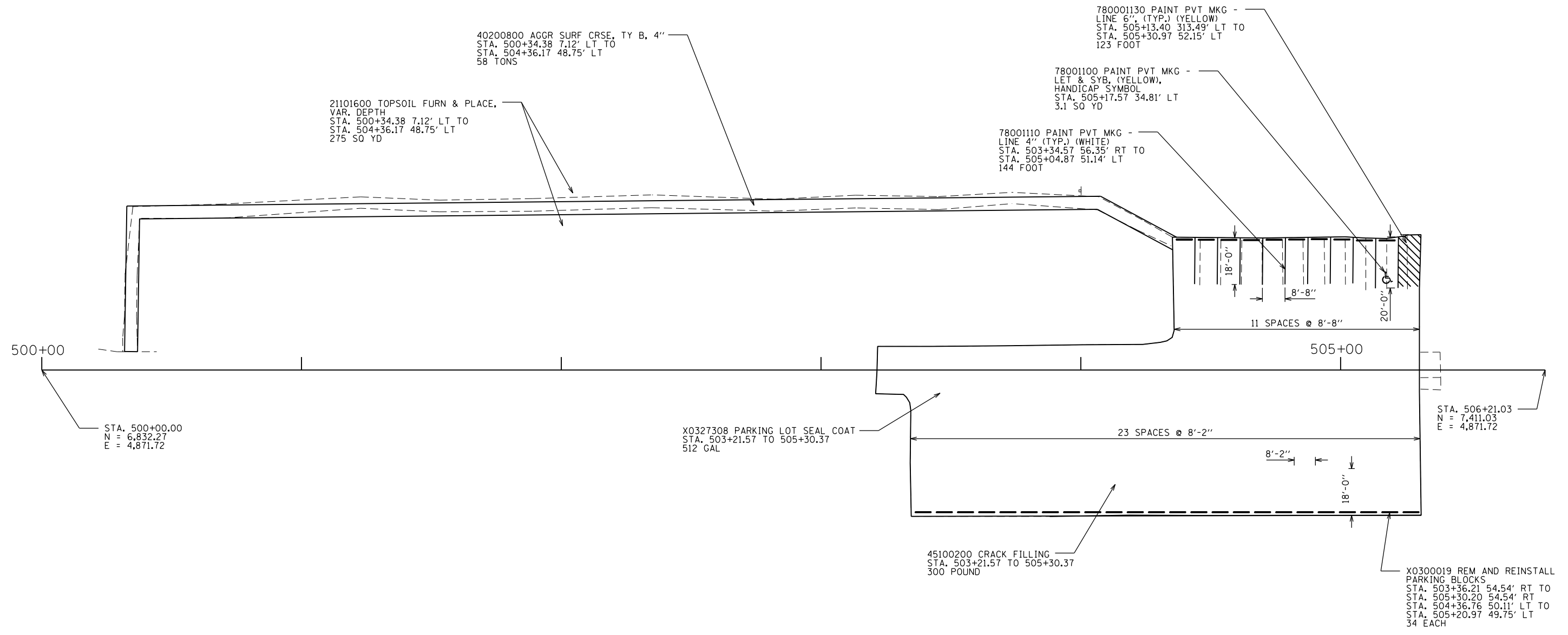
F.A. RTE.	SECTION	COUNTY	TOTAL SHEETS	SHEET NO.
		ST. CLAIR	14	7
CONTRACT NO. 46405				

SCALE: 1" = 50' SHEET OF SHEETS STA. 400+00.00 TO STA. 406+52.59



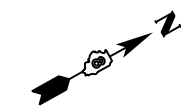
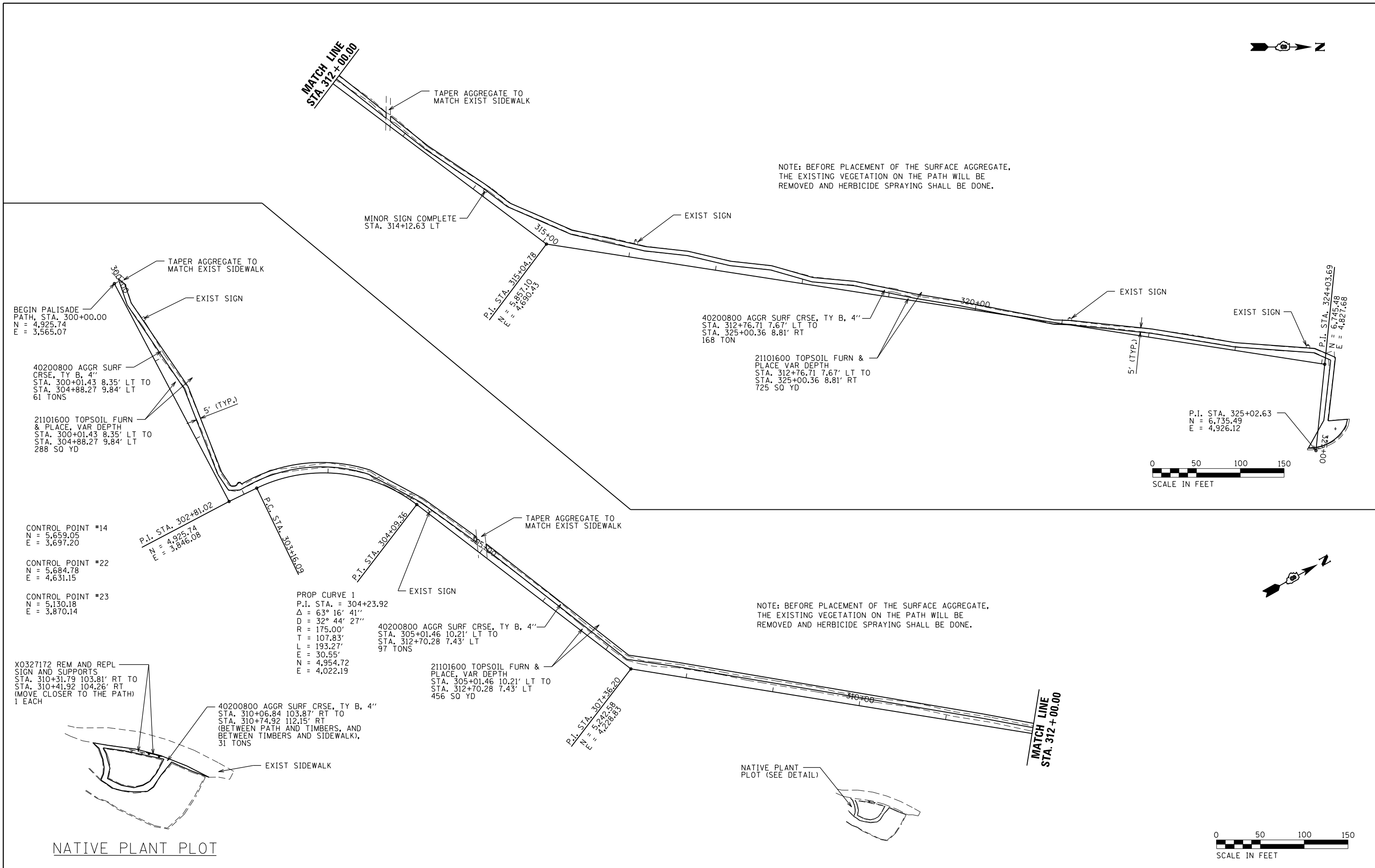
FILE NAME =	USER NAME = brianm	DESIGNED -	REVISED -
S:\CAD Drawings\CAD Drawings\250\250-061-AE Cahokia Mounds\sh.t.07 Monks Path\sh.t.dgn		DRAWN -	REVISED -
Default	PLOT SCALE = 100.0000' / in.	CHECKED -	REVISED -
	PLOT DATE = 3/16/2016	DATE -	REVISED -





COLLINS LANE PARKING LOT

FILE NAME =	USER NAME = briann	DESIGNED -	REVISED -	STATE OF ILLINOIS DEPARTMENT OF TRANSPORTATION	COLLINS LANE PARKING LOT CAHOKIA MOUNDS STATE HISTORIC SITE	F.A. RTE.	SECTION	COUNTY	TOTAL SHEETS	SHEET NO.	
S:\CAD Drawings\CAD Drawings\250\250-061-AE Cahokia Mounds\sh.t.08 Coll Lane Parking Lot.sht.dgn	PLOT SCALE = 40.0000' / in.	CHECKED -	REVISED -					ST. CLAIR	14	8	
Default	PLOT DATE = 3/16/2016	DATE -	REVISED -			SCALE: 1" = 50'		SHEET OF SHEETS		STA. 500+00.00 TO STA. 506+21.03	
ILLINOIS FED. AID PROJECT											
CONTRACT NO. 46405											



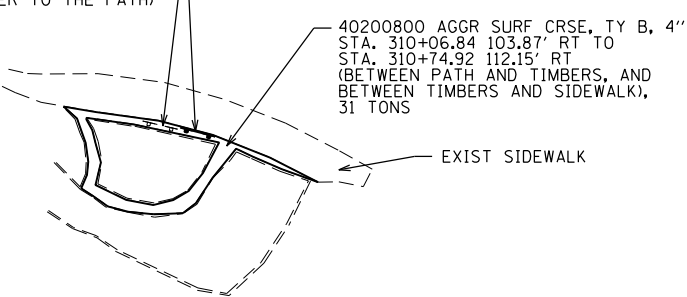
CONTROL POINT #14
N = 5,659.05
E = 3,697.20

CONTROL POINT #22
N = 5,684.78
E = 4,631.15

CONTROL POINT #23
N = 5,130.18
E = 3,870.14

PROP CURVE 1
P.I. STA. = 304+23.92
Δ = 63° 16' 41"
D = 32° 44' 27"
R = 175.00'
T = 107.83'
L = 193.27'
E = 30.55'
N = 4,954.72
E = 4,022.19

X0327172 REM AND REPL
SIGN AND SUPPORTS
STA. 310+31.79 103.81' RT TO
STA. 310+41.92 104.26' RT
(MOVE CLOSER TO THE PATH)
1 EACH



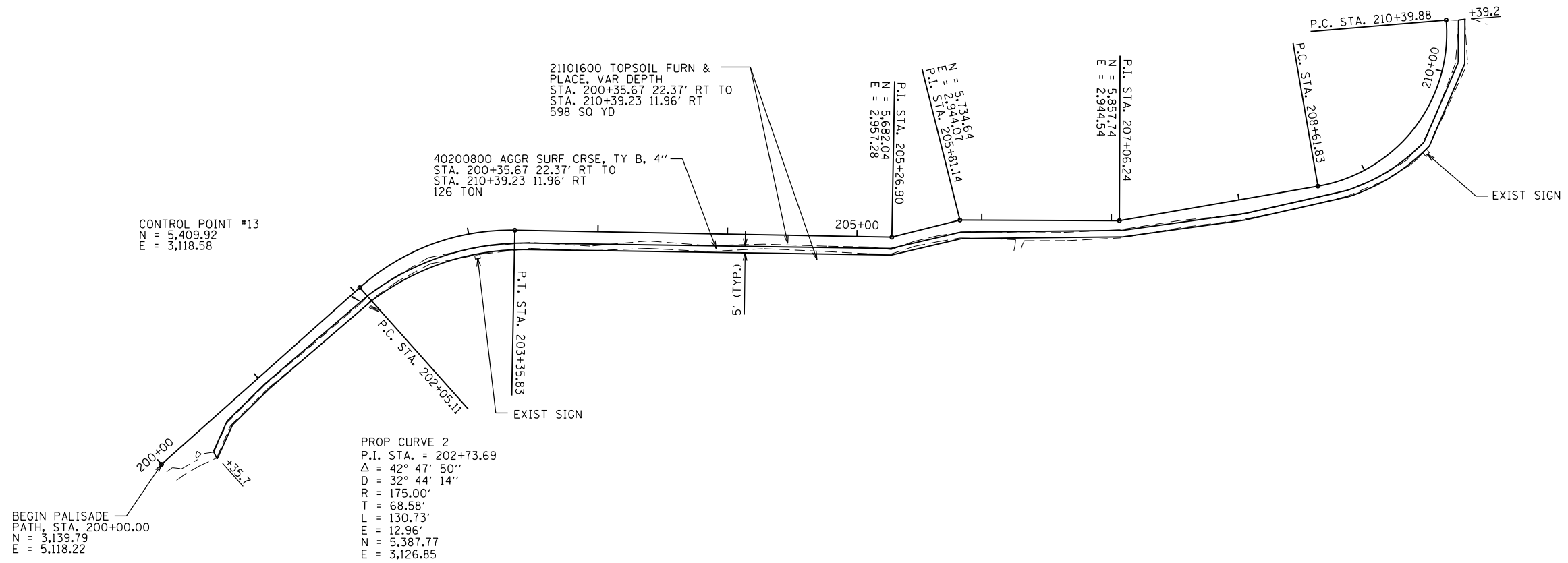
NATIVE PLANT PLOT

FILE NAME =	USER NAME = brianm	DESIGNED -	REVISED -	STATE OF ILLINOIS DEPARTMENT OF TRANSPORTATION	PALISADE PATH AND NATIVE PLANT PLOT CAHOKIA MOUNDS STATE HISTORIC SITE	F.A. RTE.	SECTION	COUNTY	TOTAL SHEETS	SHEET NO.	
S:\CAD Drawings\CAD Drawings\250\250-061-AE Cahokia Mounds\sh.t.09 Palisade Path.dgn		DRWN	REVISED -					ST. CLAIR	14	9	
Default	PLOT SCALE = 100.0000' / in.	CHECKED -	REVISED -			CONTRACT NO. 46405					
	PLOT DATE = 3/16/2016	DATE -	REVISED -			SCALE: 1" = 50'	SHEET 1	OF 2 SHEETS	STA. 300+00.00	TO STA. 325+02.30	ILLINOIS FED. AID PROJECT



PROP CURVE 3
 P.I. STA. = 209+69.81
 Δ = 85° 00' 36"
 D = 47° 44' 52"
 R = 120.00'
 T = 107.98'
 L = 178.04'
 E = 42.77'
 N = 5,990.51
 E = 2,799.69

NOTE: BEFORE PLACEMENT OF THE SURFACE AGGREGATE,
 THE EXISTING VEGETATION ON THE PATH WILL BE
 REMOVED AND HERBICIDE SPRAYING SHALL BE DONE.



FILE NAME =	USER NAME = brianm	DESIGNED -	REVISED -
S:\CAD Drawings\CAD Drawings\CAD Drawings\250\250-061-AE Cahokia Mounds\sh1.10 Palisade	DRAWN: JL.sht.dgn	CHECKED -	REVISED -
Default	PLOT DATE = 3/16/2016	DATE -	REVISED -

**STATE OF ILLINOIS
 DEPARTMENT OF TRANSPORTATION**

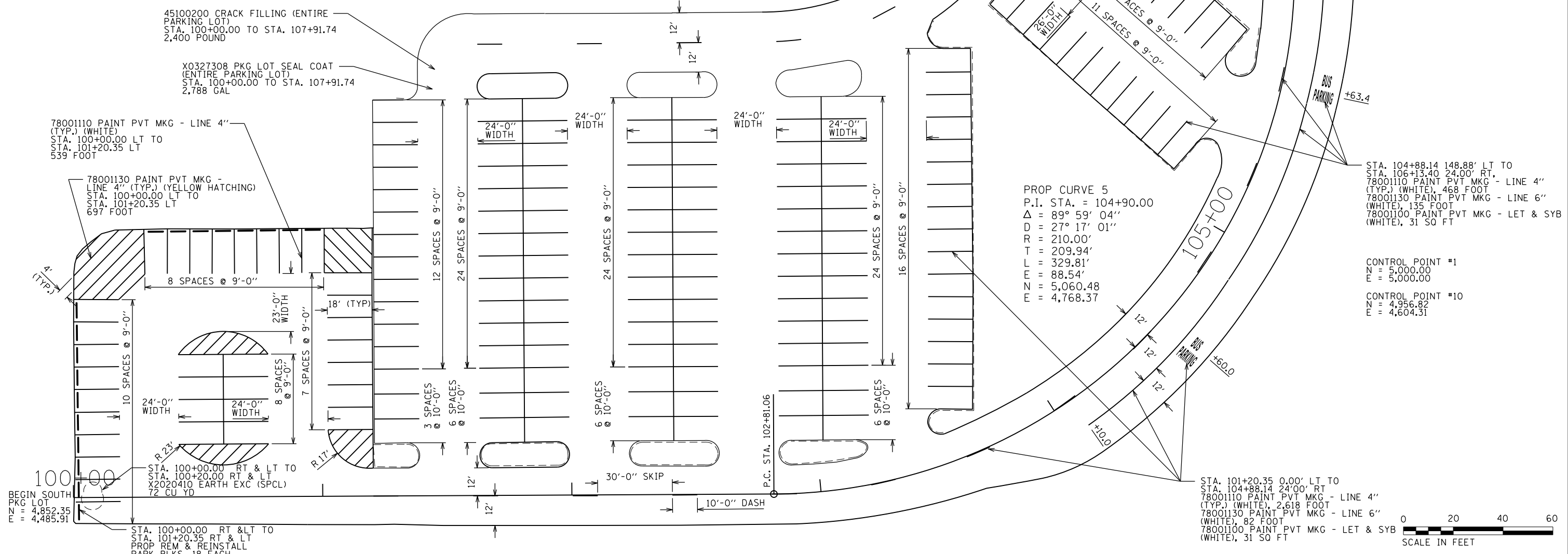
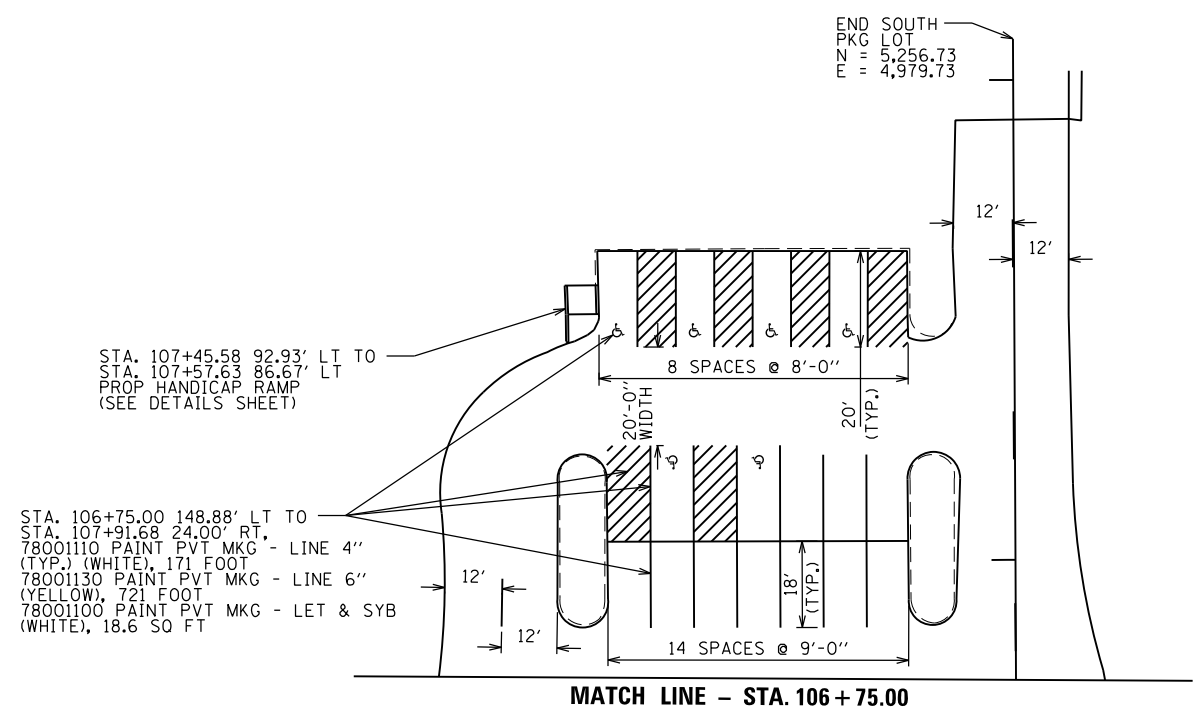
**PALISADE PATH
 CAHOKIA MOUNDS STATE HISTORIC SITE**

SCALE: 1" = 50' SHEET 2 OF 2 SHEETS STA. 200+00.00 TO STA. 210+39.88

F.A. RTE.	SECTION	COUNTY	TOTAL SHEETS	SHEET NO.
		ST. CLAIR	14	10
CONTRACT NO. 46405				
ILLINOIS FED. AID PROJECT				



NOTE: USE THE QUANTITIES
 100 FOOT CURB REMOVAL
 100 FOOT CONC. CURB, TY B
 TO FIX ANY MISCELLANEOUS
 BROKEN CURB IN THE LOT
 PRIOR TO RESURFACING.



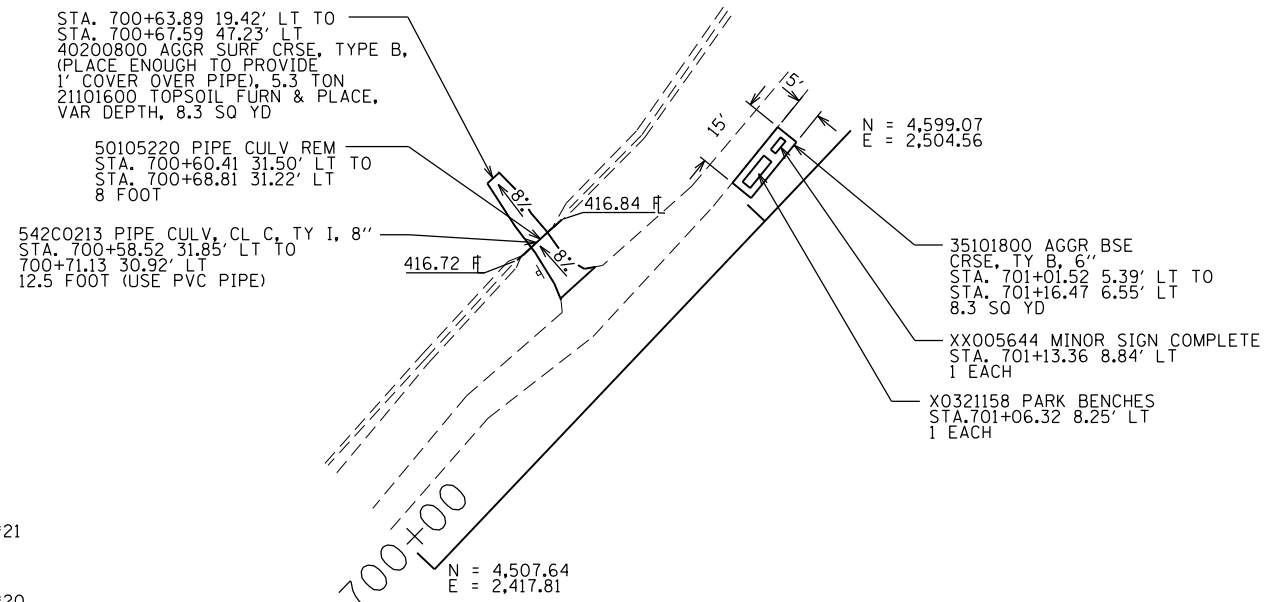
FILE NAME =	USER NAME = briann	DESIGNED -	REVISED -
S:\CAD Drawings\CAD Drawings\CAD Drawings\250\250-061-AE Cahokia Mounds\sh11 South		DRAWN Lot.sht.dgn	REVISED -
Default	PLOT SCALE = 40.0000' / in.	CHECKED -	REVISED -
	PLOT DATE = 3/17/2016	DATE -	REVISED -

**STATE OF ILLINOIS
 DEPARTMENT OF TRANSPORTATION**

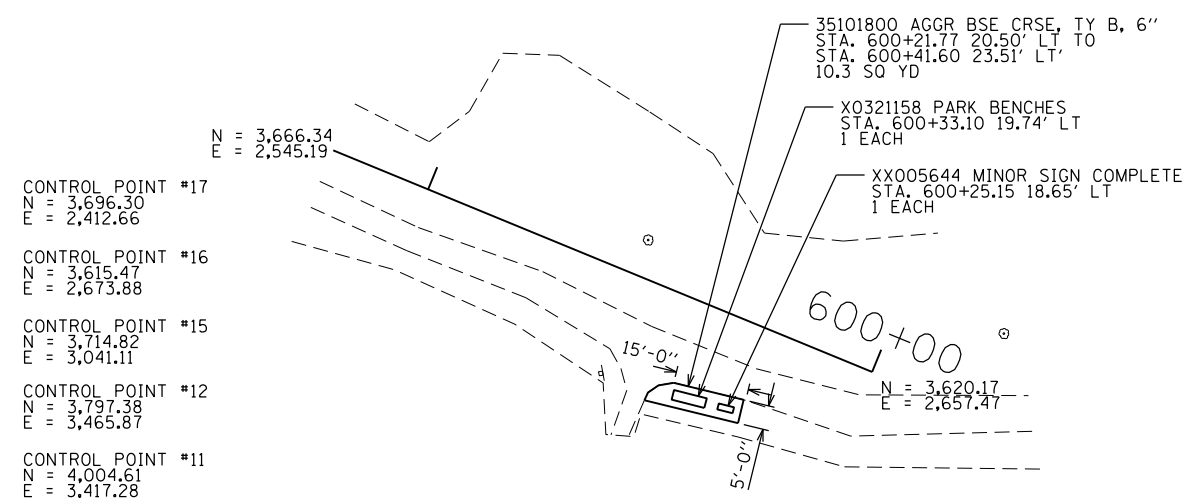
**SOUTH PARKING LOT
 CAHOKIA MOUNDS STATE HISTORIC SITE**

SCALE: 1" = 20' SHEET OF SHEETS STA. 100+00.00 TO STA. 107+91.74

F.A. RTE.	SECTION	COUNTY	TOTAL SHEETS	SHEET NO.
		ST. CLAIR	14	11
CONTRACT NO. 46405				
ILLINOIS FED. AID PROJECT				



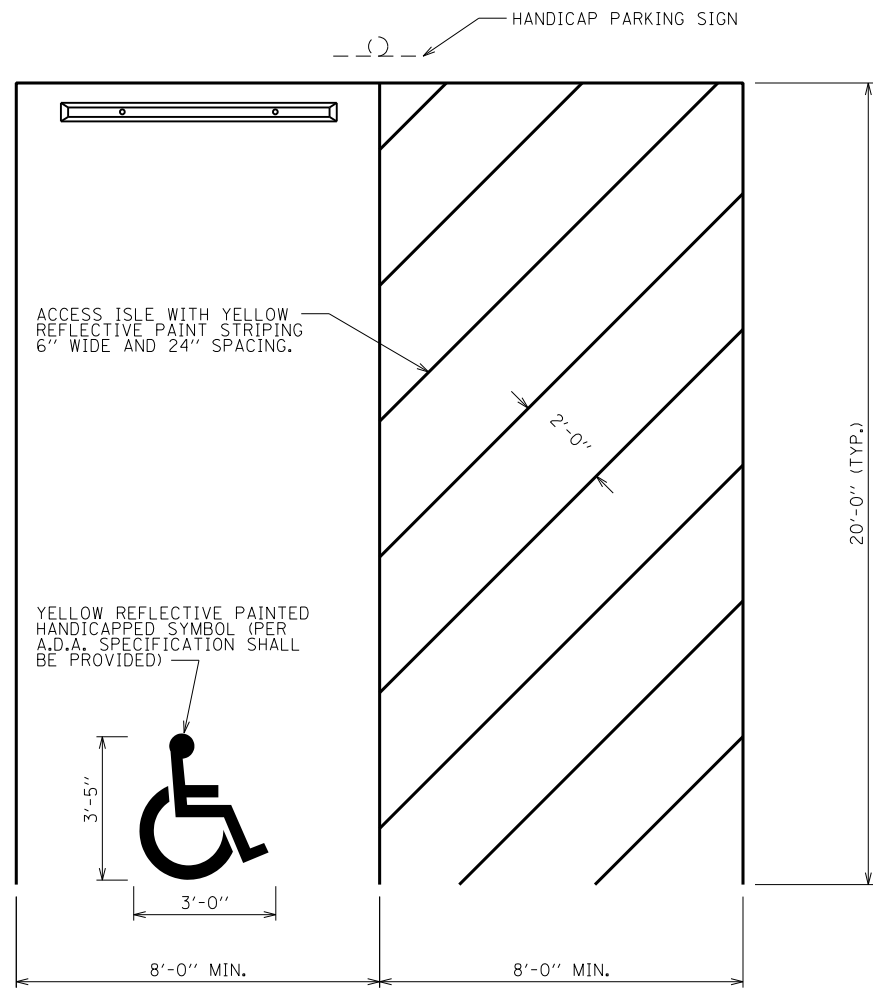
- CONTROL POINT #21
N = 4,405.93
E = 2,279.07
- CONTROL POINT #20
N = 4,174.07
E = 2,160.19
- CONTROL POINT #19
N = 3,762.95
E = 2,088.38
- CONTROL POINT #18
N = 3,658.67
E = 2,163.02



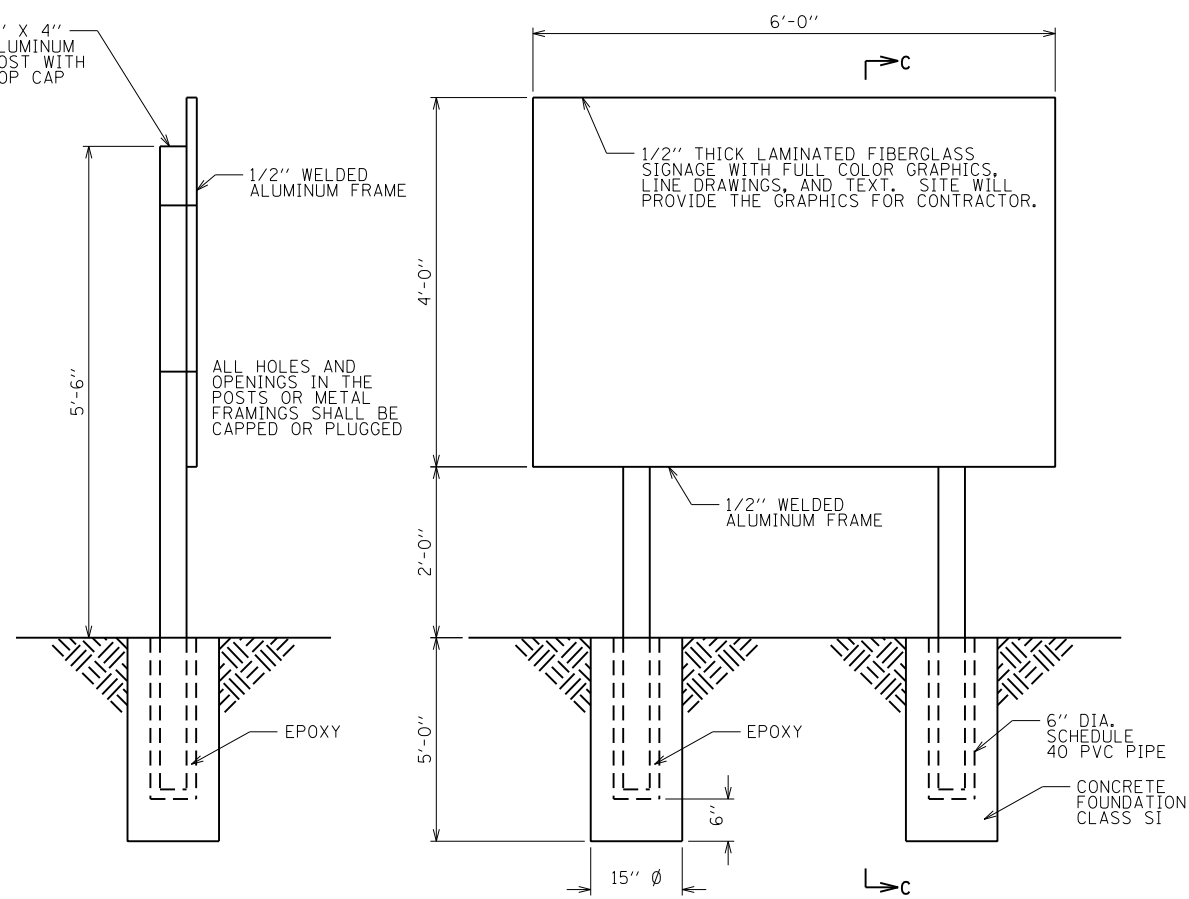
- CONTROL POINT #17
N = 3,696.30
E = 2,412.66
- CONTROL POINT #16
N = 3,615.47
E = 2,673.88
- CONTROL POINT #15
N = 3,714.82
E = 3,041.11
- CONTROL POINT #12
N = 3,797.38
E = 3,465.87
- CONTROL POINT #11
N = 4,004.61
E = 3,417.28



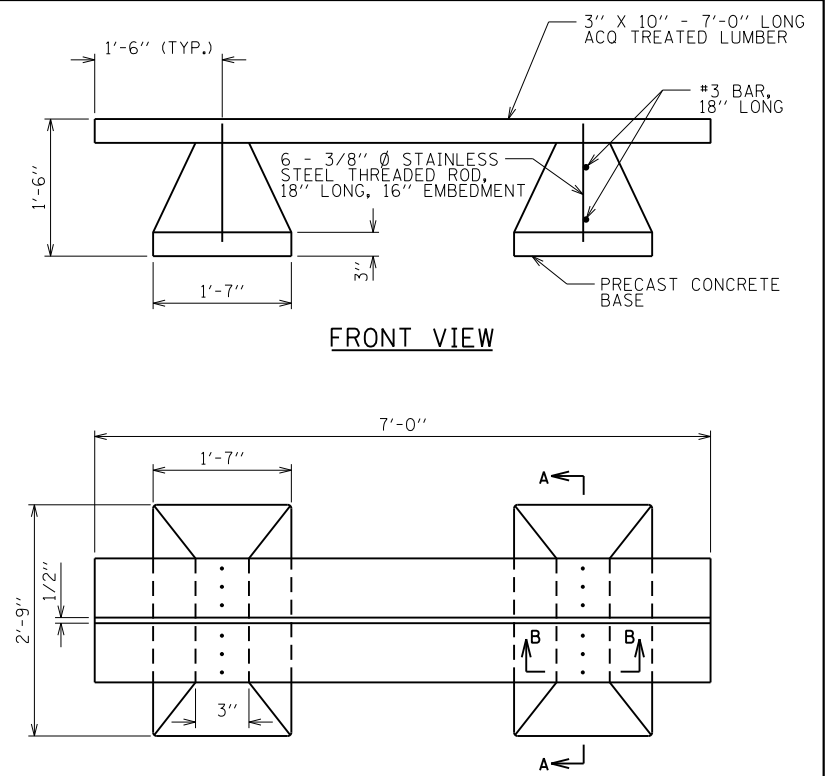
FILE NAME =	USER NAME = briann	DESIGNED -	REVISED -	STATE OF ILLINOIS DEPARTMENT OF TRANSPORTATION	LITTLE TWIN MOUNDS PATH CAHOKIA MOUNDS STATE HISTORIC SITE	F.A. RTE.	SECTION	COUNTY	TOTAL SHEETS	SHEET NO.	
S:\CAD Drawings\CAD Drawings\250\250-061-AE Cahokia Mounds\sh12 Little Mounds Path.sht.dgn		DRAWN	REVISED -					ST. CLAIR	14	12	
Default	PLOT SCALE = 40.0000' / in.	CHECKED -	REVISED -			SCALE: 1" = 20'		SHEET OF SHEETS		STA. TO STA.	
	PLOT DATE = 3/16/2016	DATE -	REVISED -			ILLINOIS FED. AID PROJECT					



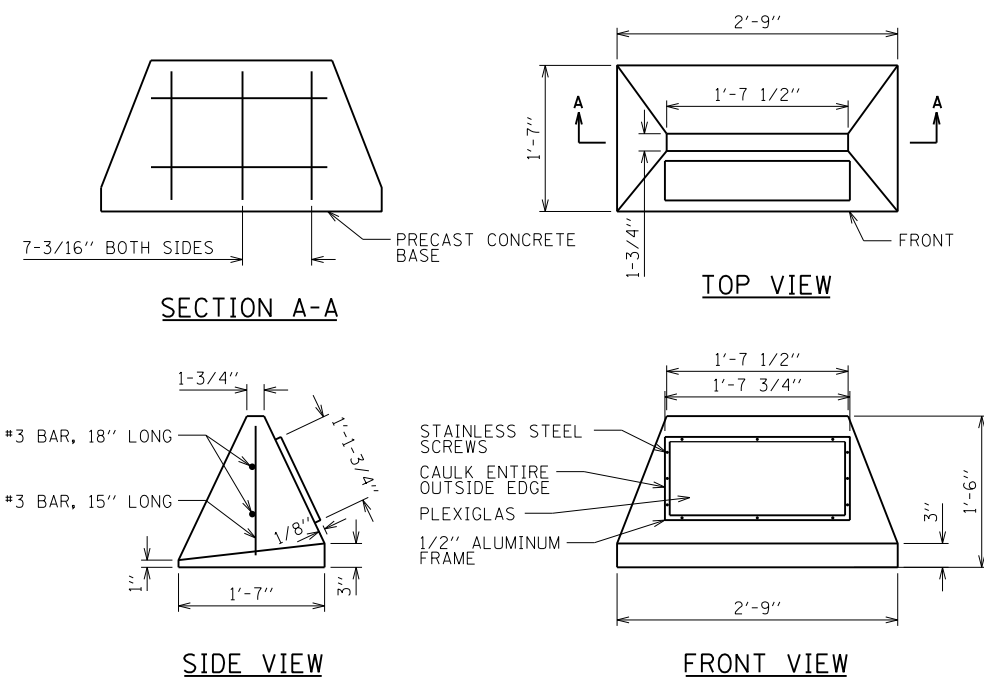
HANDICAP PARKING SPACE DETAIL



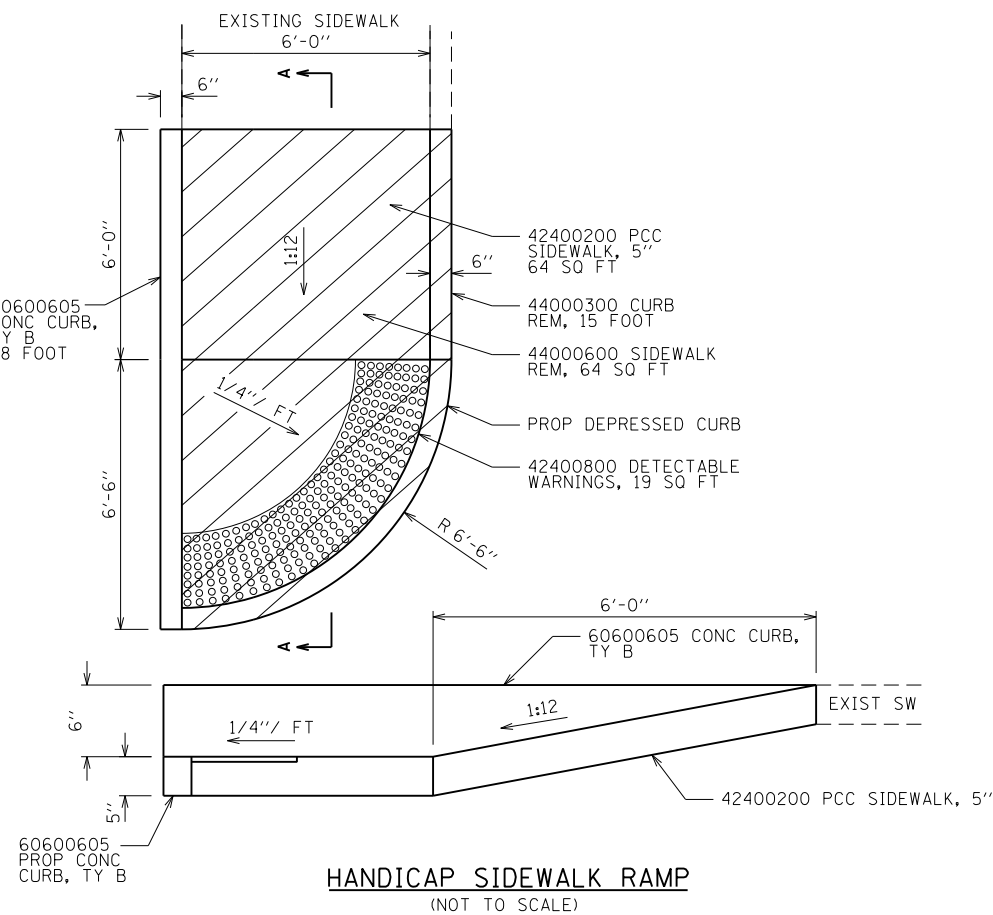
X0327172 REMOVE AND REPLACE SIGN AND SUPPORTS



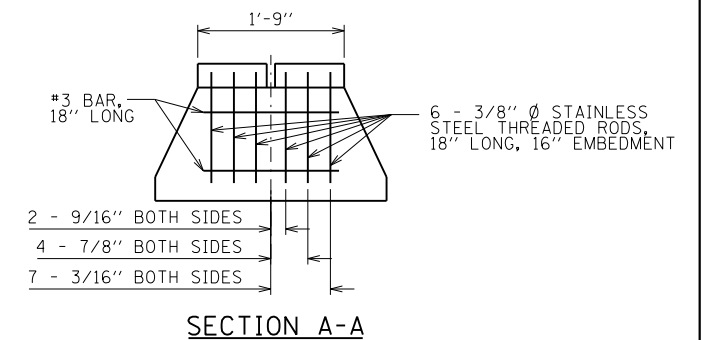
X0321158 PARK BENCHES



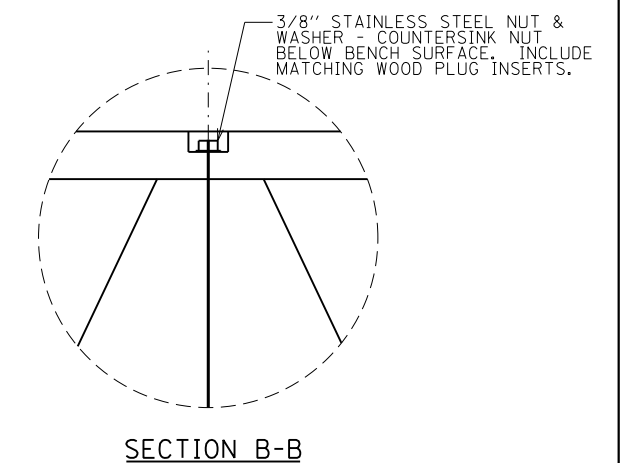
XX005644 MINOR SIGN COMPLETE
(NOT TO SCALE)



HANDICAP SIDEWALK RAMP
(NOT TO SCALE)



SECTION A-A



SECTION B-B

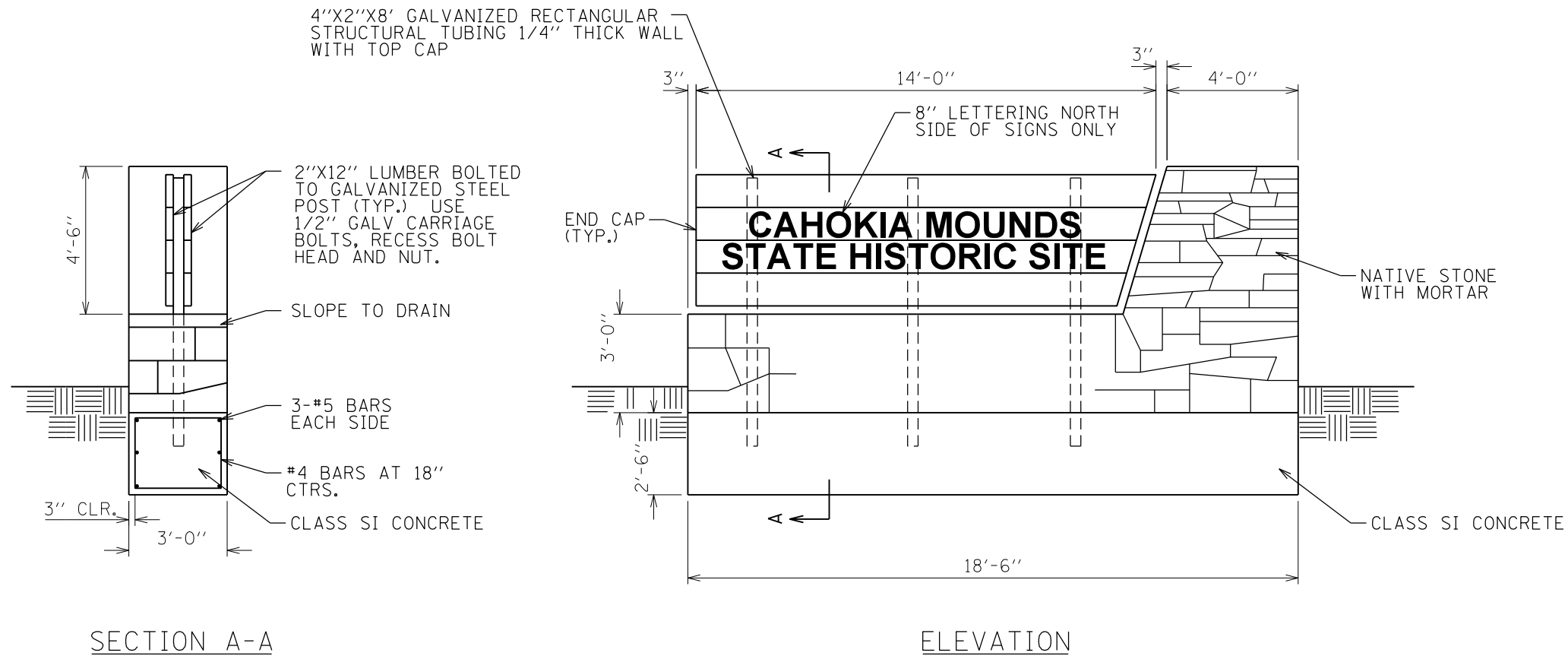
FILE NAME =	USER NAME = brianm	DESIGNED -	REVISED -
S:\CAD Drawings\CAD Drawings\CAD Drawings\250\250-061-AE Cahokia Mounds\sh1.13 Detail	DRAWN -	REVISED -	REVISED -
Default	PLOT SCALE = 40.0000' / in.	CHECKED -	REVISED -
	PLOT DATE = 3/17/2016	DATE -	REVISED -

**STATE OF ILLINOIS
DEPARTMENT OF TRANSPORTATION**

**DETAILS
CAHOKIA MOUNDS STATE HISTORIC SITE**

SCALE: SHEET OF SHEETS STA. TO STA.

F.A. RTE.	SECTION	COUNTY	TOTAL SHEETS	SHEET NO.
		ST. CLAIR	14	13
CONTRACT NO. 46405				
ILLINOIS FED. AID PROJECT				



SECTION A-A

ELEVATION

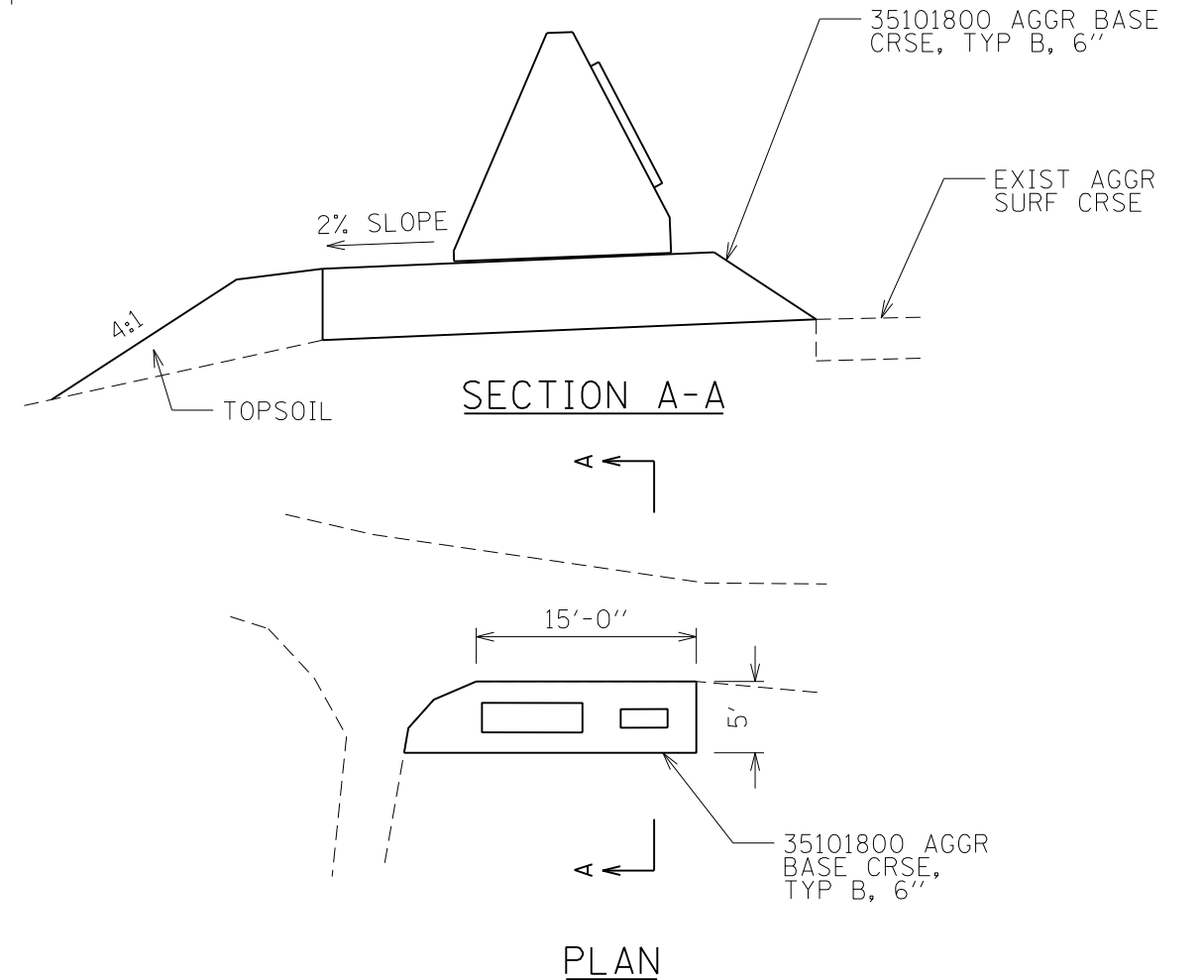
ENTRANCE SIGN
(NOT TO SCALE)

QUANTITIES PER SIGN

BAR	NUMBER	BAR	LENGTH
STIRRUP	12	#4	9'-6"
HORIZONTAL	6	#5	18'-0"

REINFORCEMENT BARS, EPOXY COATED (LB)	189
CLASS SI CONCRETE (CU YD)	5
4" X 2" GALV. STEEL TUBE (FOOT)	24
2" X 12" LUMBER (FOOT)	53
NATIVE STONE (CU YD)	9

THE MATERIALS REQUIRED TO CONSTRUCT THIS ENTRANCE SIGN WILL NOT BE PAID FOR SEPARATELY, BUT WILL BE INCLUDED THE PRICE PER LUMP SUM COST OF X0324062 "ENTRANCE SIGN".



SECTION A-A

PLAN

AGGREGATE BENCH AND SIGN BASE
(NOT TO SCALE)