

STATE OF ILLINOIS
DEPARTMENT OF TRANSPORTATION
DIVISION OF HIGHWAYS

**PROPOSED
HIGHWAY PLANS**

VARIOUS ROUTES
SECTION D3-J REPLACEMENT FY 2016
PROJECT: ACHSIP-000V(059)
GUARDRAIL END SECTION REPLACEMENT
VARIOUS COUNTIES

C-93-066-16

F.A. RTE.	SECTION	COUNTY	TOTAL SHEETS	SHEET NO.
VAR D3-J REPLACEMENT FY 2016	ILLINOIS	CONTRACT NO. 66F35	28	1

D-93-038-16

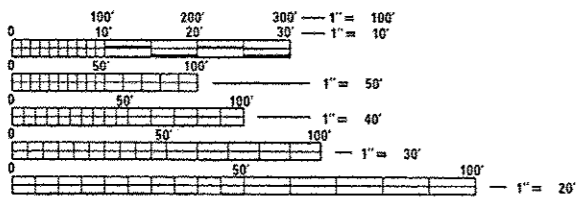


INDEX

- 1 COVER SHEET
- 2 GENERAL NOTES
- 3-4 SUMMARY OF QUANTITIES
- 5 TYPICAL SECTIONS
- 6-7 SUMMARY OF SCHEDULES
- 8-10 LOCATION MAP
- 11-14 PLAN SHEETS
- 15-16 SN 050-0077 REPAIR PLANS
- 17-18 SN 050-0078 REPAIR PLANS
- 19 SN 050-0093 REPAIR PLANS
- 20-21 SN 050-0125 REPAIR PLANS
- 22 SN 050-0177 REPAIR PLANS
- 23 SN 050-0178 REPAIR PLANS
- 24 SN 050-0230 REPAIR PLANS
- 25-28 DETAILS

HIGHWAY STANDARDS

- 000001-06 STANDARD SYMBOLS, ABBREVIATIONS AND PATTERNS
- 001001-02 AREAS OF REINFORCEMENT BARS
- 001006 DECIMAL OF AN INCH AND OF A FOOT
- 630001-10 STEEL PLATE BEAM GUARDRAIL
- 630101-09 GUARDRAIL MOUNTED ON EXISTING CULVERTS
- 630106-01 LONG-SPAN GUARDRAIL OVER CULVERT
- 630201-06 PCC/HMA STABILIZATION AT STEEL PLATE BEAM GUARDRAIL
- 630301-06 SHOULDER WIDENING FOR TYPE 1 (SPECIAL) GUARDRAIL TERMINALS
- 631011-09 TRAFFIC BARRIER TERMINAL, TYPE 2
- 631031-14 TRAFFIC BARRIER TERMINAL, TYPE 6
- 631033-06 TRAFFIC BARRIER TERMINAL, TYPE 6B
- 635001-02 DELINEATORS
- 701101-05 OFF-ROAD OPERATIONS, MULTILANE, 15' (4.5 m) TO 24' (600 mm) FROM PAVEMENT EDGE
- 701106-02 OFF-ROAD OPERATIONS, MULTILANE, MORE THAN 15' (4.5 m) AWAY
- 701400-08 APPROACH TO LANE CLOSURE, FREEWAY/EXPRESSWAY
- 701401-09 LANE CLOSURE, FREEWAY/EXPRESSWAY
- 701411-09 LANE CLOSURE, MULTILANE, AT ENTRANCE OR EXIT RAMP FOR SPEEDS **0" 45 MPH
- 701421-07 LANE CLOSURE, MULTILANE, DAY OPERATIONS ONLY, FOR SPEEDS **0" 45 MPH TO 55 MPH
- 701901-05 TRAFFIC CONTROL DEVICES
- 725001 OBJECT AND TERMINAL MARKERS
- 782006 GUARDRAIL AND BARRIER WALL REFLECTOR MOUNTING DETAILS
- 701428-01 TRAFFIC CONTROL SETUP AND REMOVAL FREEWAY/EXPRESSWAY

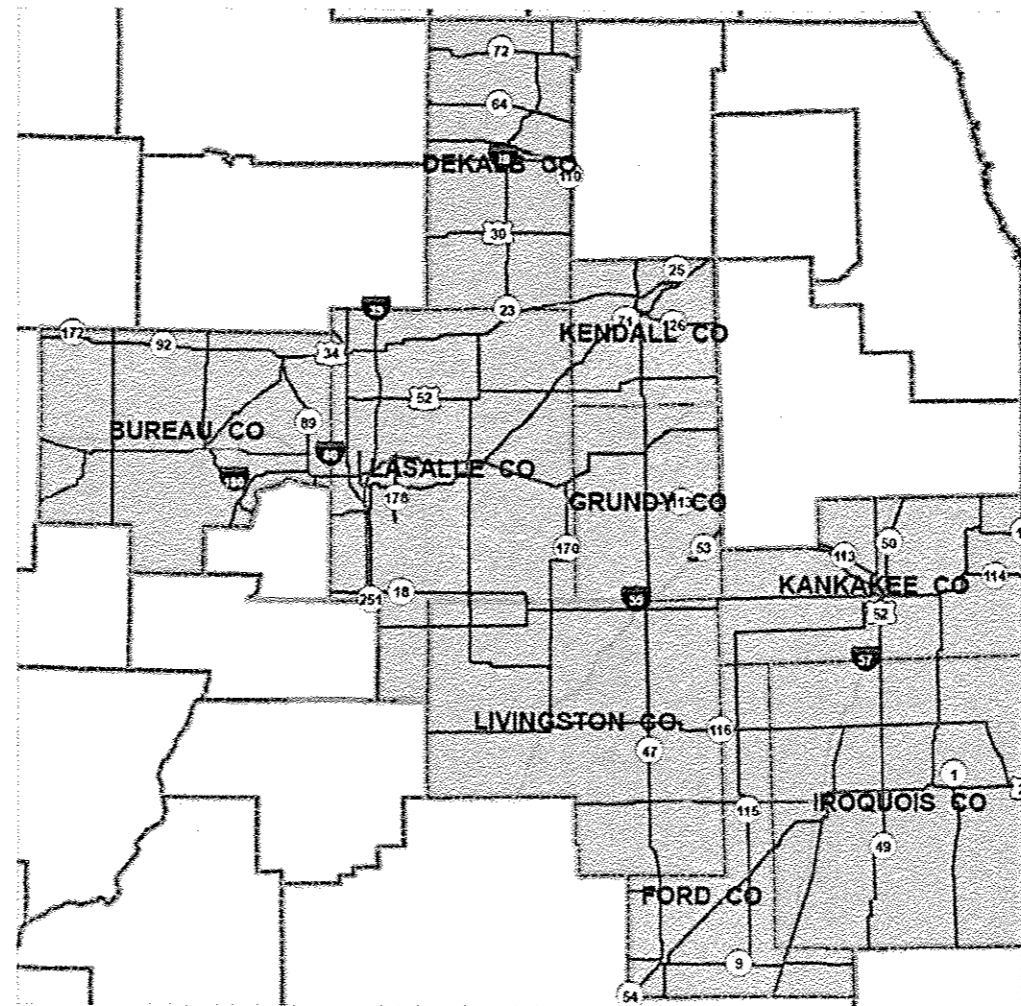


FULL SIZE PLANS HAVE BEEN PREPARED USING STANDARD ENGINEERING SCALES. REDUCED SIZED PLANS WILL NOT CONFORM TO STANDARD SCALES. IN MAKING MEASUREMENTS ON REDUCED PLANS, THE ABOVE SCALES MAY BE USED.

J.U.L.I.E.
JOINT UTILITY LOCATION INFORMATION FOR EXCAVATION
1-800-892-0123
OR 811

PROJECT ENGINEER DAVE ALEXANDER, P.E.
UNIT CHIEF PAT BRABOY, P.E.

CONTRACT NO. 66F35



STATE OF ILLINOIS
DEPARTMENT OF TRANSPORTATION

SUBMITTED *March 18 2016*
Paul Coetzee REGIONAL ENGINEER

May 6 2016
Margaret M. Adams, P.E. acting ENGINEER OF DESIGN AND ENVIRONMENT

May 6 2016
Tracie A. [Signature] 2
DIRECTOR OF PROGRAM DEVELOPMENT

PRINTED BY THE AUTHORITY
OF THE STATE OF ILLINOIS

CODE NO.	ITEM	UNIT	TOTAL QUANTITY	VARIOUS COUNTIES 90% FED. 10% STATE							1	2	3	4	5	6	7
				ROADWAY 0021	ROADWAY 0021	ROADWAY 0021	BRIDGE 0021	BRIDGE 0021	BRIDGE 0021	BRIDGE 0021	BRIDGE 0021	BRIDGE 0021	BRIDGE 0021	BRIDGE 0021	BRIDGE 0021	BRIDGE 0021	
				LIVINGSTON COUNTY	GRUNDY COUNTY	LASALLE COUNTY	S.N. 050-0077	S.N. 050-0078	S.N. 050-0230	S.N. 050-0093	S.N. 050-0177	S.N. 050-0178	S.N. 050-0125				
20400800	FURNISHED EXCAVATION	CU YD	703	150	90	463											
28000400	PERIMETER EROSION BARRIER	FOOT	2760	540	480	1740											
50300225	CONCRETE STRUCTURES	CU YD	83.1				20.5	20.5	9.1	4.8	7.9	7.2	13.1				
50800205	REINFORCEMENT BARS, EPOXY COATED	POUND	8110				1840	1840	940	480	870	760	1380				
60600605	CONCRETE CURB, TYPE B	FOOT	842	140	40	662											
63000003	STEEL PLATE BEAM GUARDRAIL, TYPE A, 9 FOOT POSTS	FOOT	11496	2572	1832	7092											
63000025	STEEL PLATE BEAM GUARDRAIL, ATTACHED TO STRUCTURES	FOOT	130			130											
63000370	LONG-SPAN GUARDRAIL OVER CULVERT, 25 FT SPAN	FOOT	170		170												
63100045	TRAFFIC BARRIER TERMINAL, TYPE 2	EACH	6		1	5											
63100085	TRAFFIC BARRIER TERMINAL, TYPE 6	EACH	30	9	3	18											
63100089	TRAFFIC BARRIER TERMINAL, TYPE 6B	EACH	12		4	8											
63100167	TRAFFIC BARRIER TERMINAL, TYPE 1 (SPECIAL) TANGENT	EACH	47	10	8	29											
63200310	GUARDRAIL REMOVAL	FOOT	13755	2373	2423	8959											
67100100	MOBILIZATION	LSUM	1	0.33	0.33	0.34											

STATE OF ILLINOIS
DEPARTMENT OF TRANSPORTATION

SUMMARY OF QUANTITIES

SCALE: SHEET OF SHEETS STA. TO STA.

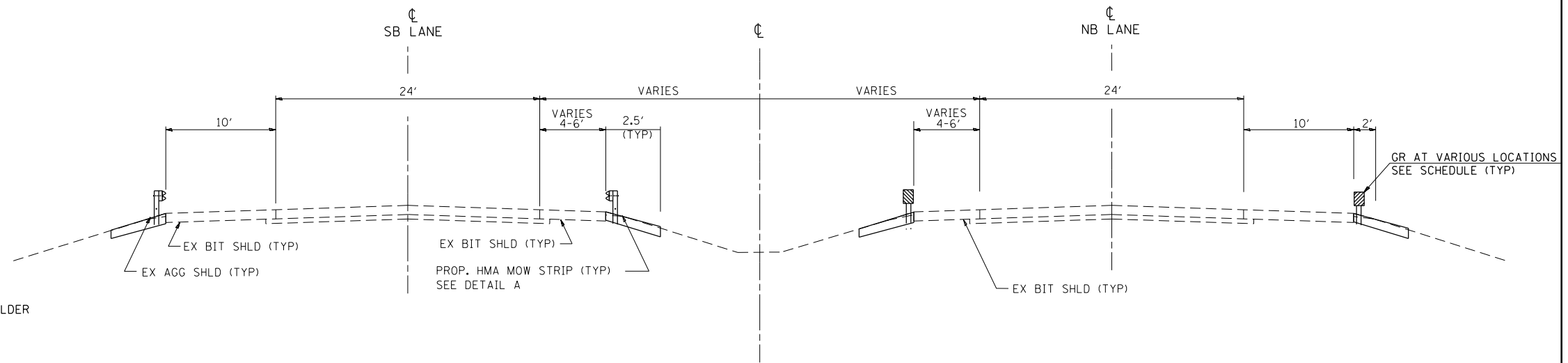
F.A. RTE.	SECTION	COUNTY	TOTAL SHEETS	SHEET NO.
VAR. 03-J REPLACEMENT FY 2016	VARIOUS	VARIOUS	28	3
ILLINOIS FED. AID PROJECT			CONTRACT NO. 66F35	

VARIOUS
COUNTIES
90% FED.
10% STATE

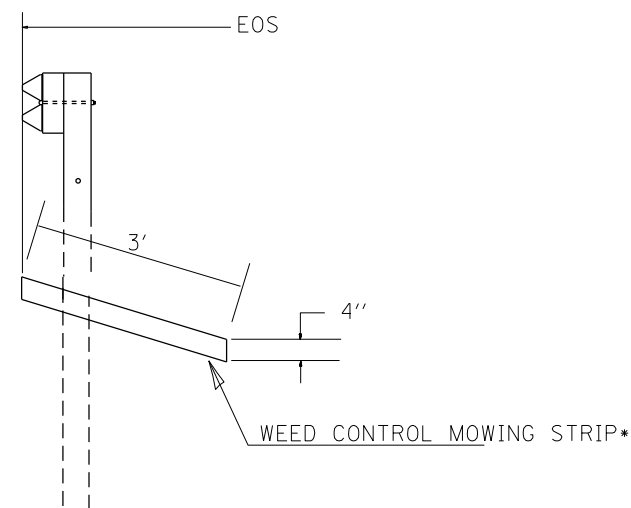
CODE NO.	ITEM	UNIT	TOTAL QUANTITY	CONSTRUCTION CODE															
				ROADWAY	ROADWAY	ROADWAY	BRIDGE	BRIDGE	BRIDGE	BRIDGE	BRIDGE	BRIDGE							
				0021 LIVINGSTON COUNTY	0021 GRUNDY COUNTY	0021 LASALLE COUNTY	0021 S.N. 050-0077	0021 S.N. 050-0078	0021 S.N. 050-0230	0021 S.N. 050-0093	0021 S.N. 050-0177	0021 S.N. 050-0178	0021 S.N. 050-0125						
70100310	TRAFFIC CONTROL AND PROTECTION, STANDARD 701421	LSUM	1			1													
70100420	TRAFFIC CONTROL AND PROTECTION, STANDARD 701411	EACH	13	2		11													
78200410	GUARDRAIL MARKERS, TYPE A	EACH	212	47	33	132													
78201000	TERMINAL MARKER - DIRECT APPLIED	EACH	47	10	8	29													
X0325667	WEED CONTROL MOWING STRIP (SPECIAL)	SQ YD	5275	1153	859	3263													
X0326880	MESSAGE BOARD VEHICLE DRIVER	HOUR	150	50	50	50													
X0326907	PORTABLE, VEHICLE MOUNTED, CHANGEABLE MESSAGE SIGN	CAL MO	3	1	1	1													
X6310214	TRAFFIC BARRIER TERMINAL, TYPE 6 (SPECIAL)	EACH	6			6													
X7010410	SPEED DISPLAY TRAILER	CAL MO	3	1	1	1													
X7010805	TRAFFIC CONTROL AND PROTECTION, STANDARD 701401 (SPECIAL)	LSUM	1	0.33	0.33	0.34													

10

FILE NAME *	USER NAME * braboygo	DESIGNED -	REVISED -	STATE OF ILLINOIS DEPARTMENT OF TRANSPORTATION	SUMMARY OF QUANTITIES				F.A. RTE.	SECTION	COUNTY	TOTAL SHEETS	SHEET NO.
c:\pwork\pwork\braboygo\08478185\031	xxx-nt-details.dgn	DRAWN -	REVISED -						VAR.	03-J REPLACEMENT FY 2016	VARIOUS	28	4
#MODELNAME*	PLOT SCALE * 1/8"=1'-0"	CHECKED -	REVISED -		SCALE:	SHEET	OF	SHEETS	STA.	TO STA.	ILLINOIS FED. AID PROJECT		
	PLOT DATE * 3/18/2016	DATE -	REVISED -										



GUARDRAIL POSTS THAT NEED TO BE DRIVEN THROUGH EXISTING BITUMINOUS SHOULDER OR CONCRETE CURB SHALL NOT BE PAID FOR SEPERATELY BUT SHALL BE INCLUDED IN THE COST OF SPBGR



*PLACE MOWING STRIP UNDER ALL PROPOSED GUARDRAIL AND END SECTIONS. TAPER MOWING STRIP AT THE SAME RATE AS THE TBT, TYPE I (SP) SO THAT MOWING STRIP IS BEHIND GUARDRAIL AT ALL TIMES

DETAIL A

FILE NAME =	USER NAME = braboypc	DESIGNED -	REVISED -
ct:\pw\work\p\dot\braboypc\d0470106\03xxx\shd-detail.dgn		DRAWN -	REVISED -
	PLOT SCALE = 100.0000' / in.	CHECKED -	REVISED -
\$MODELNAME\$	PLOT DATE = 3/18/2016	DATE -	REVISED -

**STATE OF ILLINOIS
DEPARTMENT OF TRANSPORTATION**

TYPICAL SECTION

SCALE: SHEET OF SHEETS STA. TO STA.

F.A. RTÉ.	SECTION	COUNTY	TOTAL SHEETS	SHEET NO.
VAR.	D3-J REPLACEMENT FY 2016	VARIOUS	28	5
			CONTRACT NO. 66F35	
ILLINOIS FED. AID PROJECT				

GRUNDY AND LIVINGSTON COUNTY GUARDRAIL WORK

ID NUMBER	COUNTY	ROUTE	MILE POST	STR. NUMBER	DIRCTION	LANE	SIDE***	GUARDRAIL REMOVAL FOOT	SPBGR TYPE A, 9' POSTS	GUARDRAIL MK, TYPE A EACH	LONG-SPAN GR OVER CULVERTS-25' SPAN	TBT, TY 1 SPEC (TANG)	TERM MKS DA EACH	TBT, TY6 EACH	TBT, TY6B EACH	TBT, TY2 EACH	FURN EX** CU YD	CURB TYPE B FOOT	PERIMETER EROSION BARR. FOOT	WEED CONT. MOWING STRIP SQ YD	REMARKS				
053-0121-004	LIVINGSTON	I-55	188.95	053-0121	NB	PL	LT	187	207	4		1	1	1			15	20	60	100					
053-0120-004	LIVINGSTON	I-55	188.95	053-0120	SB	PL	LT	182	207	4		1	1	1			15	20	60	100					
053-0127-006	LIVINGSTON	I-55	197.18	053-0127	NB	PL	LT	175	207	4		1	1	1			15		60	100					
053-0126-006	LIVINGSTON	I-55	197.18	053-0126	SB	PL	LT	175	207	4		1	1	1			15		60	100					
053-0129-001	LIVINGSTON	I-55	198.15	053-0129	NB	DL	RT	161	157	4		1	1	1			15	20	60	83					
053-0128-001	LIVINGSTON	I-55	198.15	053-0128	SB	DL	RT	103	157	4		1	1	1			15	20	60	83					
053-0128-006	LIVINGSTON	I-55	198.15	053-0128	SB	PL	LT	175	207	4		1	1	1			15	20	60	100					
053-0139-001	LIVINGSTON	I-55	213.53	053-0139	SB	DL	RT	128	157	4		1	1	1			15	20	60	83					
053-0139-004	LIVINGSTON	I-55	213.53	053-0139	SB	PL	LT	178	207	4		1	1	1			15	20	60	100					
053-0187-001	LIVINGSTON	I-55	217.58*	053-0187	NB	DL	RT	909	859	11		1	1				15		60	303	STARTS ON ON-RAMP FROM IL 17, ENDS +-400' FROM BRIDGE				
TOTAL LIVINGSTON								2373	2572	47	0	10	10	9	0	0	150	140	540	1153					
032-0083-002	GRUNDY	I-55	220.79	032-0083	NB	DL	RT	95	157	4		1	1	1			15	10	60	83	EXTEND CURB TO 20' TOTAL				
032-0082-001	GRUNDY	I-55	220.79	032-0082	SB	DL	RT	121	157	4		1	1	1			15	10	60	83	EXTEND CURB TO 20' TOTAL				
032-0064-001	GRUNDY	I-80	107.87	032-0064	EB	DL	RT	307	157	4		1	1		1		15		60	83					
032-2524-001	GRUNDY	I-80	108.13	032-2524	EB	DL	RT	100	355	4	170	1	1			1	15		60	100					
032-0055-003	GRUNDY	I-80	108.87	032-0055	WB	DL	RT	377	284	4		1	1		1		15		60	126					
032-0010-002	GRUNDY	I-80	109.54	032-0010	WB	PL	LT	320	207	4		1	1	1			15	20	60	100					
032-0056-003	GRUNDY	I-80	109.84	032-0056	WB	DL	RT	372	279	4		1	1		1				60	124					
032-0012-001	GRUNDY	I-80	110.75	032-0012	WB	DL	RT	476	383	5		1	1		1				60	159					
TOTAL GRUNDY								2423	1832	33	170	8	8	3	4	1	90	40	480	859					

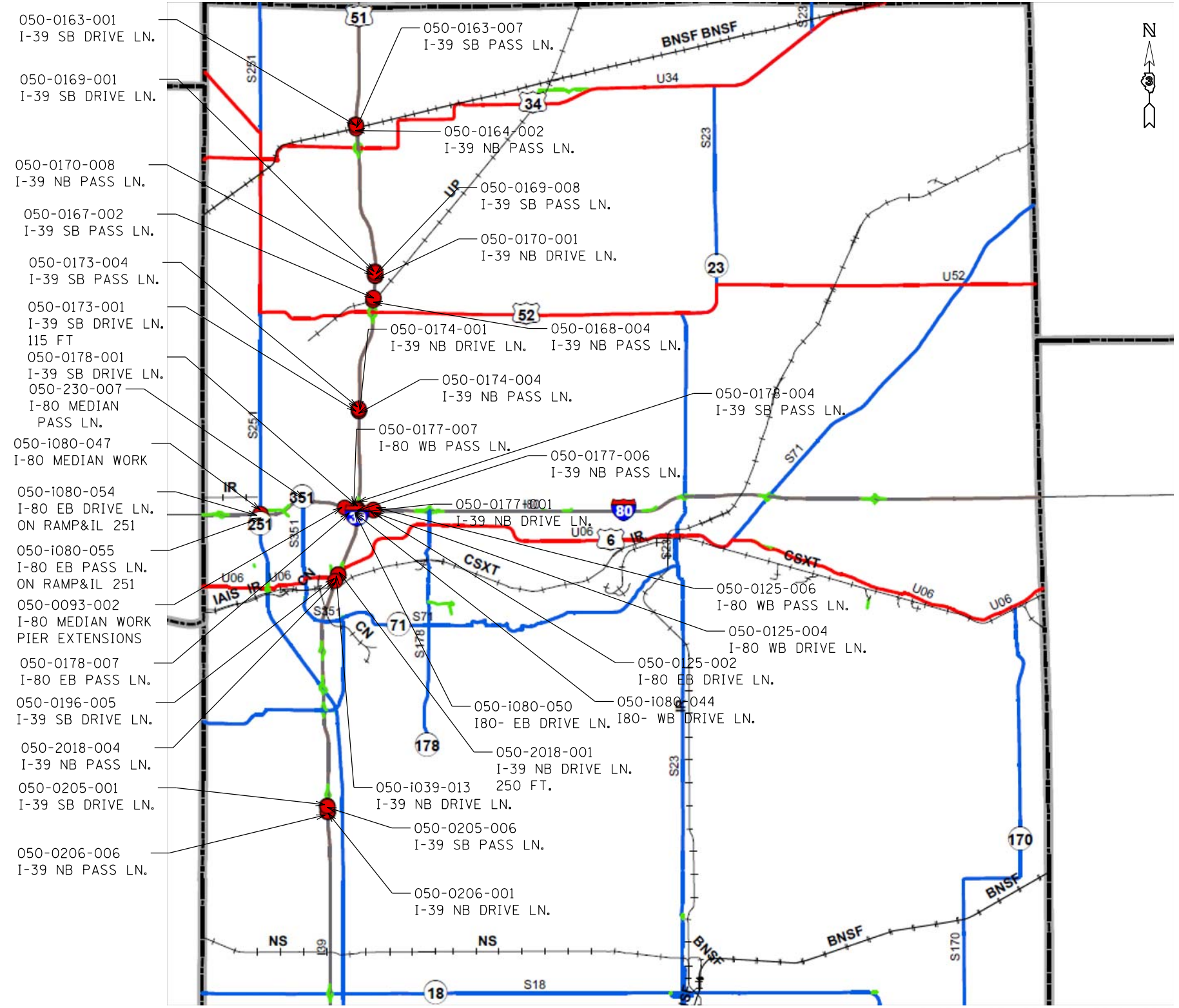
• THIS LOCATION HAS HMA STABILIZATION. CONTRACTOR TO CORE HOLES THROUGH IT FOR NEW GUARDRAIL POSTS. COST OF CORING HOLES INCLUDED IN THE COST OF SPBGR, TYPE A, 9' POSTS
 • ALL AREAS OF FURNISHED EXCAVATION SHALL BE FERTILIZED, SEEDED AND MULCHED. COST INCLUDED IN FURNISHED EXCAVATION.
 •••SIDE (LT/RT) IS DETERMINED BY FACING THE DIRECTION OF TRAVEL
 MILE MARKERS ARE TO THE CENTER OF THE STRUCTURE

LASALLE COUNTY GUARDRAIL WORK

ID NUMBER	ROUTE	MILE POST	STR. NUMBER	DIRCTION	LANE	SIDE***	GUARDRAIL REMOVAL FOOT	SPBGR TYPE A, 9' POSTS	SPBGR ATTCH STRC.	GUARDRAIL MK, TY A	TBT, TY 1 SPEC (TANG)	TERM MKS DA EACH	TBT, TYPE 2 EACH	TBT, TY6 EACH	TBT, TYPE 6B EACH	TBT, TY6 SP*** EACH	FURN EX** CU YD	CURB TYPE B FOOT	PERIMETER EROSION BARR. FOOT	WEED CONT. MOWING STRIP SQ YD	NOTES		
050-0164-002	I-39	72.56	050-0164	NB	PL	LT	177	207		4	1	1		1			15	20	60	100			
050-0163-007	I-39	72.56	050-0163	SB	PL	LT	177	207		4	1	1		1			15	20	60	100			
050-0163-001	I-39	72.56	050-0163	SB	DL	RT	388	295		4	1	1		1			15	20	60	129			
050-0170-008	I-39	67.25	050-0170	NB	PL	LT	188	207		4	1	1		1			15	20	60	100			
050-0170-001	I-39	67.25	050-0170	NB	DL	RT	400	307		4	1	1		1			15	20	60	133			
050-0169-008	I-39	67.25	050-0169	SB	PL	LT	188	207		4	1	1		1			15	20	60	100			
050-0169-001	I-39	67.25	050-0169	SB	DL	RT	402	309		4	1	1		1			15	20	60	134			
050-0168-004	I-39	66.35	050-0168	NB	PL	LT	177	207		4	1	1		1			15	20	60	100			
050-0167-002	I-39	66.35	050-0167	SB	PL	LT	177	207		4	1	1		1			15	20	60	100			
050-0174-004	I-39	62.33	050-0174	NB	PL	LT	177	207		4	1	1			1		15	20	60	100			
050-0174-001	I-39	62.33	050-0174	NB	DL	RT	98	157		4	1	1			1		15	20	60	83			
050-0173-004	I-39	62.33	050-0173	SB	PL	LT	188	207		4	1	1			1		15	20	60	100			
050-0173-001	I-39	62.33	050-0173	SB	DL	RT	120	157		4	1	1			1		15	20	60	83			
050-0177-001	I-39	58.75	050-0177	NB	DL	RT	115	157		4	1	1			1		15	20	60	83			
050-0177-006	I-39	58.75	050-0177	NB	PL	LT	177	207		4	1	1		1			15	20	60	100			
050-0178-001	I-39	58.75	050-0178	SB	DL	RT	115	157		4	1	1		1			15	20	60	83			
050-0178-004	I-39	58.75	050-0178	SB	PL	LT	188	207		4	1	1		1			15	20	60	100			
050-2009-013	I-39	56.36	050-2009	NB	DL	RT	415	322	30	5	1	1		1			15		60	128			
050-2018-004	I-39	56.35	050-2018	NB	EXIT RAMP, I-39W TO US 6E	LT	320	208	50	4	1	1		1			15		60	90			
050-2018-001	I-39	56.35	050-2018	NB	EXIT RAMP, I-39W TO US 6E	RT	250	138	50	4	1	1		1			15		60	67			
050-0196-005	I-39	56.1	050-0196	SB	DL	RT	340	247		4	1	1			1		15	20	60	113			
050-0206-001	I-39	47.92	050-0206	NB	DL	RT	540	447		6	1	1		1			15		60	180			
050-0206-006	I-39	47.92	050-0206	NB	PL	LT	415	322		4	1	1		1			15	20	60	138			
050-0205-001	I-39	47.92	050-0205	SB	DL	RT	540	447		6	1	1		1			15		60	180			
050-0205-006	I-39	47.92	050-0205	SB	PL	LT	415	322		4	1	1		1			15	20	60	138			
050-1080-055	I-80	75	050-0077	EB	EXIT RAMP, I-80E TO IL 251	LT	613	551		7	1	1		1			15		60	204			
050-1080-054	I-80	75	050-0077	EB	EXIT RAMP, I-80E TO IL 251	RT	415	353		4	1	1		1			15		60	138			
050-1080-050	I-80	75	050-0077/78	EB		DL	360	63		4	1	1			1		29		60	52	SEE DETAILS FOR CONE WORK		
050-1080-044	I-80	75	050-0077/78	WB		DL	360	63		4	1	1			1		29		60	52	SEE DETAILS FOR CONE WORK		
050-1080-047	I-80	75	050-0077/78	MEDIAN		PL										2		56			SEE DETAILS FOR TY 6 (SP) END SECT.		
050-0230-007	I-80	76.61	050-0230	MEDIAN		PL	40														REM. GR ON PIERS		
050-0093-002	I-80	78.16	050-0093	MEDIAN		PL															ONLY PIER EXTENSIONS HERE		
050-0177-007	I-80	78.6	050-0177	MEDIAN		PL	130			4						1		83		14	REM. GR BETWN AND ON PIERS, MOW STRIP BETWN CURBS		
050-0178-007	I-80	78.6	050-0178	MEDIAN		PL	130			4						1		83		14	REM. GR BETWN AND ON PIERS, MOW STRIP BETWN CURBS		
050-0125-006	I-80	79.16	050-0125	MEDIAN		PL	80														REM. GR ON PIERS		
050-0125-002	I-80	79.16	050-0125	EB		DL	72								1			20		12	REM. & REPL. TYPE 6 END SECT. ONLY		
050-0125-004	I-80	79.16	050-0125	WB		DL	72								1			20		12	REM. & REPL. TYPE 6 END SECT. ONLY		
COUNTY TOTALS								8959	7092	130	132	29	29	5	18	8	6	463	662	1740	3263		

•• ALL AREAS OF FURNISHED EXCAVATION SHALL BE FERTILIZED, SEEDED AND MULCHED. COST INCLUDED IN FURNISHED EXCAVATION.
 •••PLACE TBT, TY 6, SPECIAL BETWEEN PIERS-SEE DETAIL
 ••••SIDE (LT/RT) IS DETERMINED BY FACING THE DIRECTION OF TRAVEL
 MILE MARKERS ARE TO THE CENTER OF THE STRUCTURE

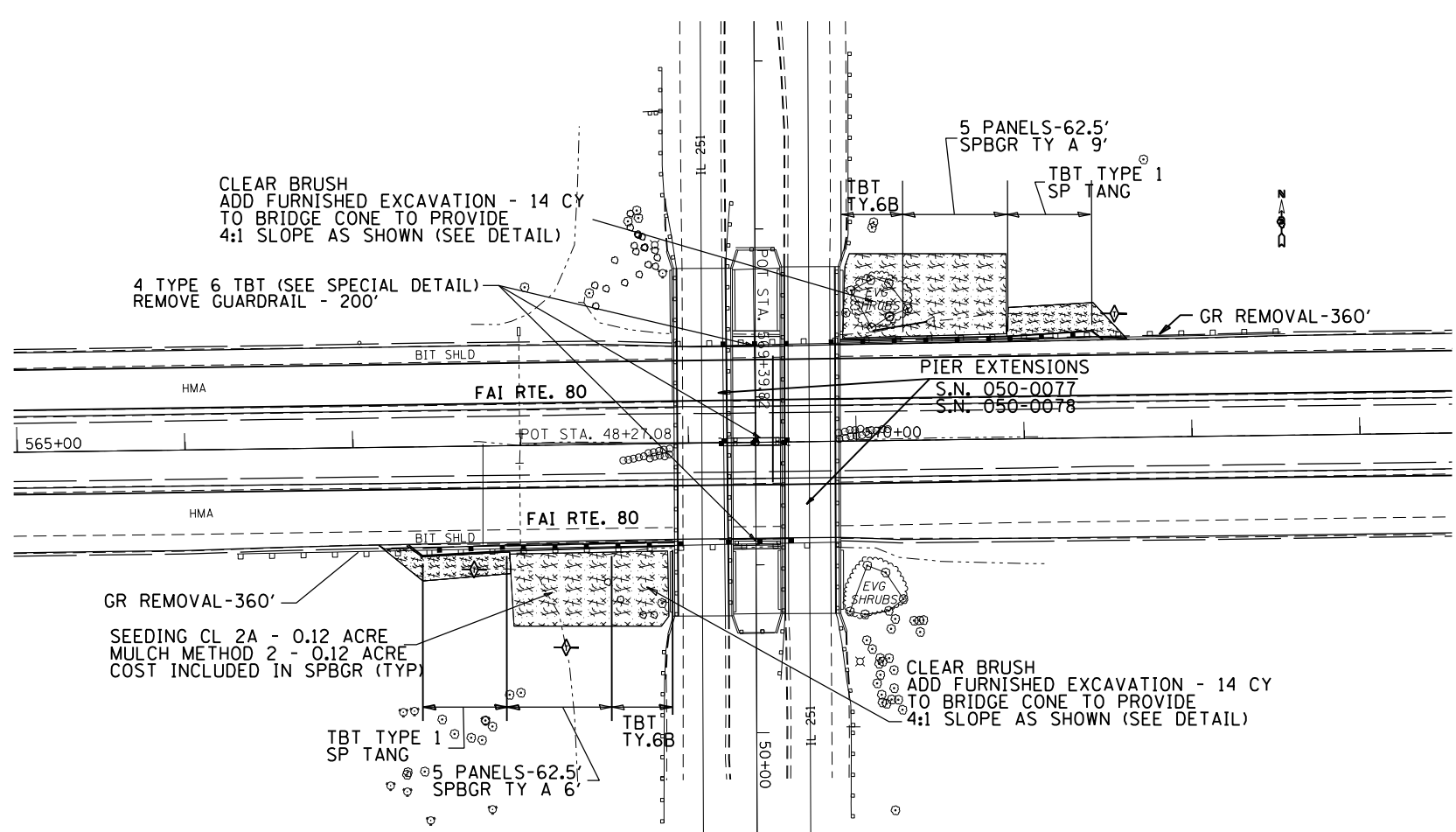
LOCATION MAP



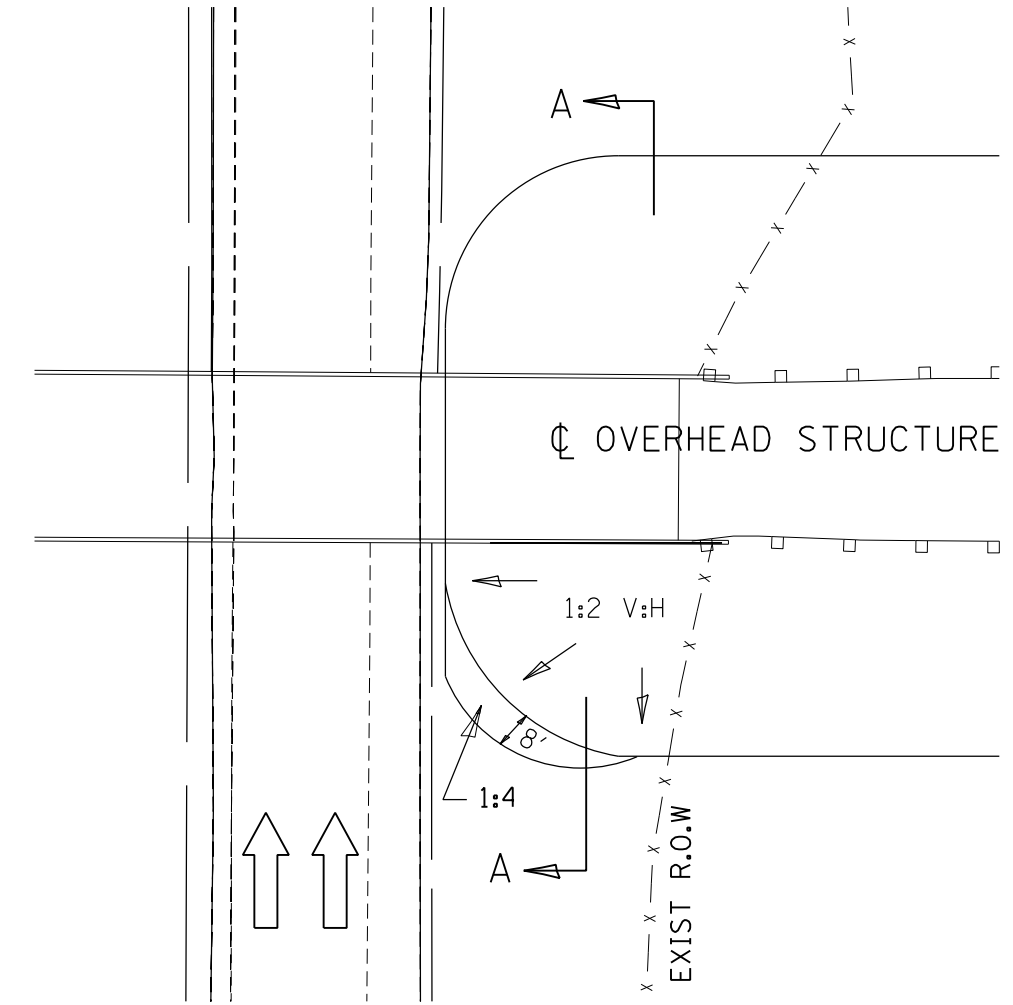
*ALL LENGTHS ARE APPROXIMATE IN FEET.

LASALLE COUNTY

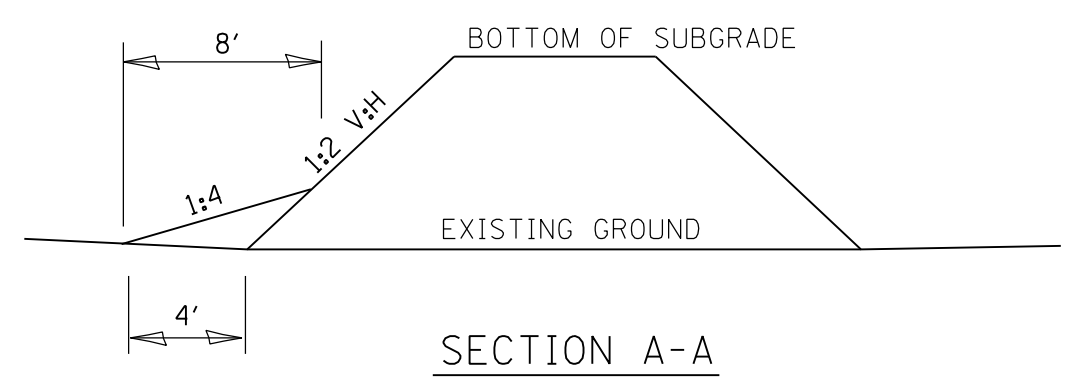
FILE NAME =	USER NAME = santiaogct	DESIGNED -	REVISED -	STATE OF ILLINOIS DEPARTMENT OF TRANSPORTATION	LASALLE COUNTY LOCATION MAP	F.A. RTE.	SECTION	COUNTY	TOTAL SHEETS	SHEET NO.	
Default		CHECKED -	REVISED -			VAR	D3-J REPLACEMENT FY 2016	VAR	28	8	
		DATE -	REVISED -			CONTRACT NO. 66F35					
						ILLINOIS FED. AID PROJECT					



CLEARING BRUSH IS INCLUDED IN THE COST OF FURNISHED EXCAVATION



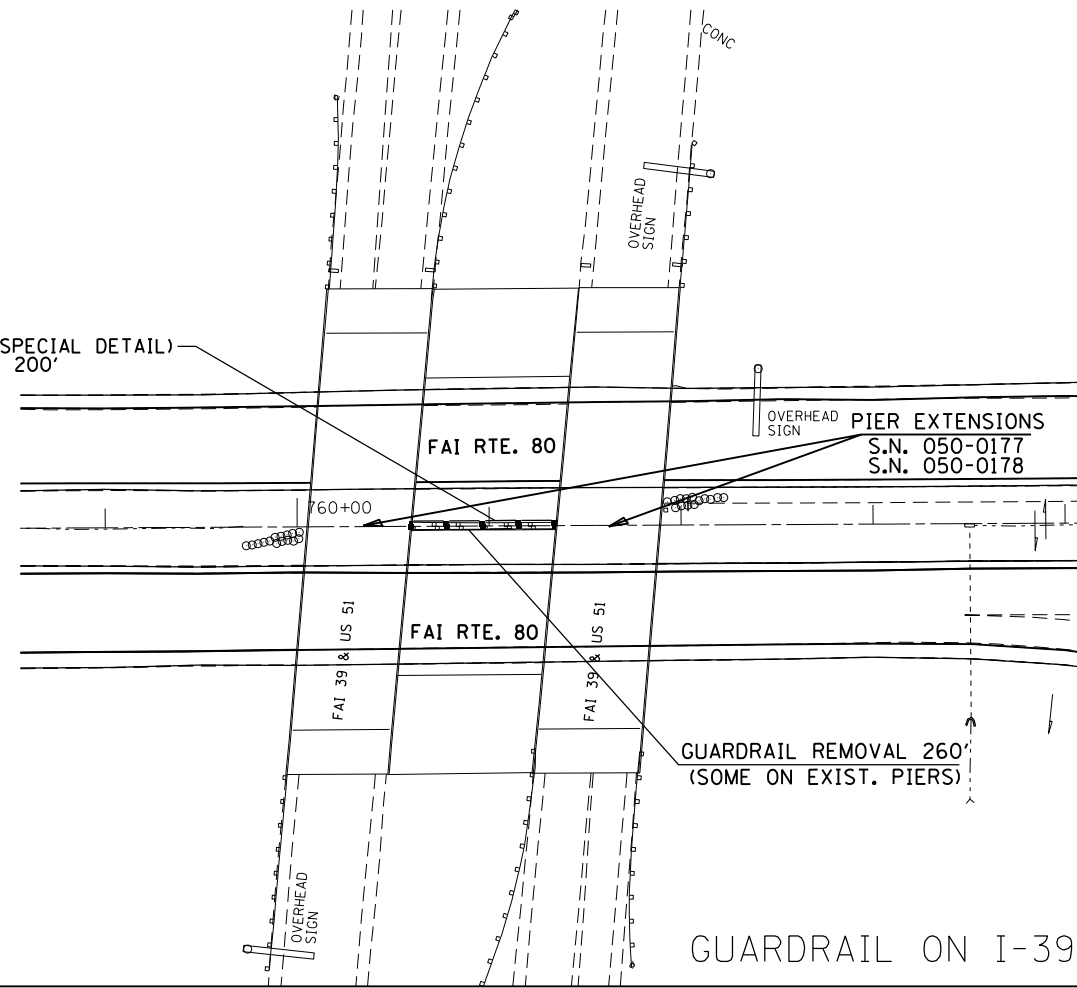
EMBANKMENT CONE DETAIL



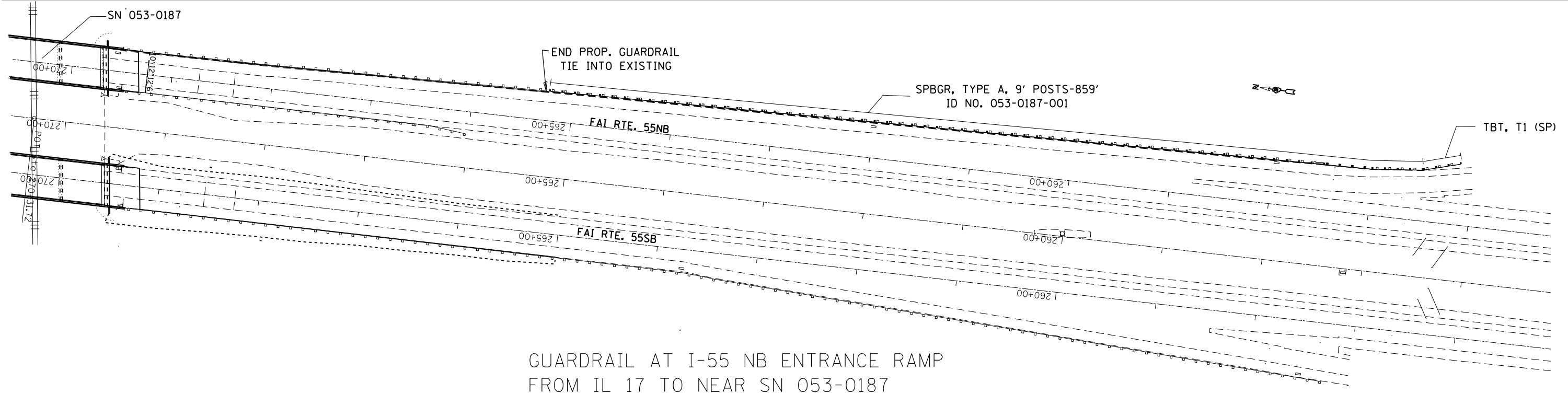
SECTION A-A

FILE NAME =	USER NAME = santiaogct	DESIGNED -	REVISED -	STATE OF ILLINOIS DEPARTMENT OF TRANSPORTATION	GUARDRAIL WORK PLAN VIEWS			F.A. RTE.	SECTION	COUNTY	TOTAL SHEETS	SHEET NO.
pw:\IL\084EBIDINTEG.illinois.gov\PIWID\Documents\IDOT Offices\District 3\Projects\0366\Drawings\GAD\Sheets\03xxxx-shr-detail.dwg	PLOT SCALE = 100.0000' / in.	CHECKED -	REVISED -					VAR. D3-J REPLACEMENT FY 2016	VARIOUS	28	12	
Default	PLOT DATE = 3/18/2016	DATE -	REVISED -		SCALE: SHEET OF SHEETS STA. TO STA.			CONTRACT NO. 66F35		ILLINOIS FED. AID PROJECT		

2 TYPE 6 TBT (SEE SPECIAL DETAIL)
REMOVE GUARDRAIL - 200'



GUARDRAIL ON I-39 UNDER IL 80



GUARDRAIL AT I-55 NB ENTRANCE RAMP
FROM IL 17 TO NEAR SN 053-0187

FILE NAME =	USER NAME = santiaogct	DESIGNED -	REVISED -
pw:\IL\084EBIDINTEG.illinois.gov\PIDOT\Documents\IDOT Offices\District 3\Projects\0366\Drawings\GAD\shd\03xxxx-shd-detail.dwg		DRAWN -	REVISED -
Default	PLOT SCALE = 100.0000' / in.	CHECKED -	REVISED -
	PLOT DATE = 3/18/2016	DATE -	REVISED -

STATE OF ILLINOIS
DEPARTMENT OF TRANSPORTATION

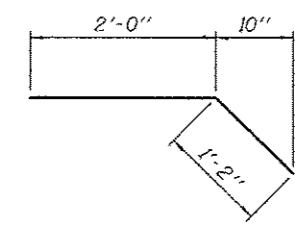
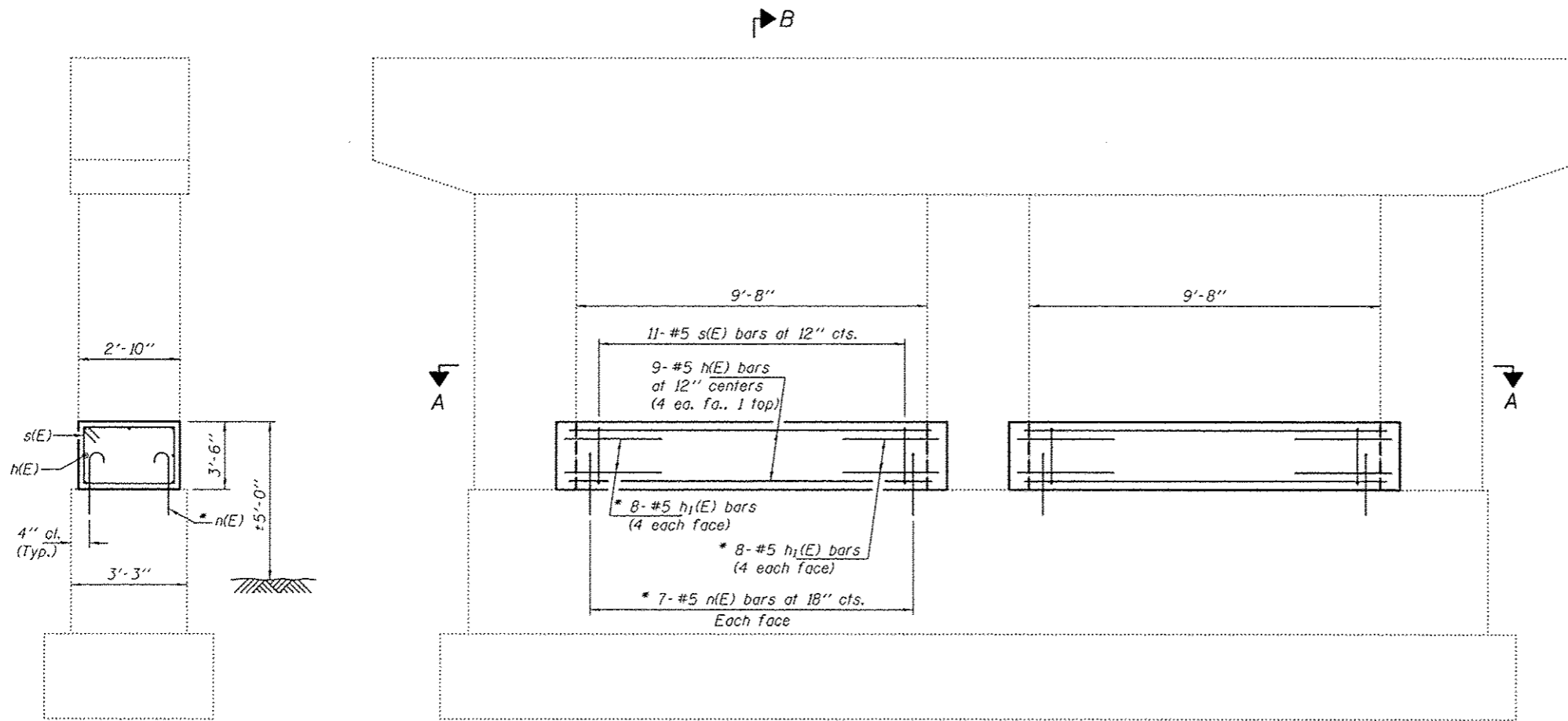
GUARDRAIL WORK PLAN VIEWS

SCALE: SHEET OF SHEETS STA. TO STA.

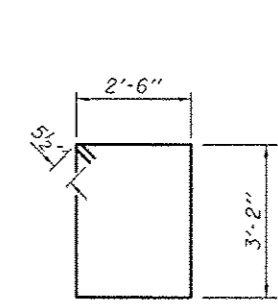
F.A. RTE.	SECTION	COUNTY	TOTAL SHEETS	SHEET NO.
VAR. D3-J REPLACEMENT FY 2016			28	14
ILLINOIS FED. AID PROJECT			CONTRACT NO. 66F35	

NOTES

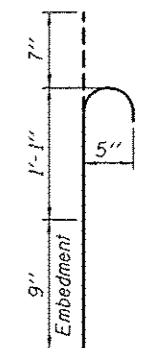
The cost of epoxy grouting threaded rods shall be included with Reinforcement Bars, Epoxy Coated.
 Plan dimensions and details relative to existing plans are subject to nominal construction variations. The Contractor shall field verify existing dimensions and details affecting new construction and make necessary approved adjustments prior to construction or ordering of materials. Such variations shall not be cause for additional compensation for a change in scope of the work, however, the Contractor will be paid for the quantity actually furnished at the unit price bid for the work.
 Reinforcement bars designated (E) shall be epoxy coated.



BAR h₁(E)

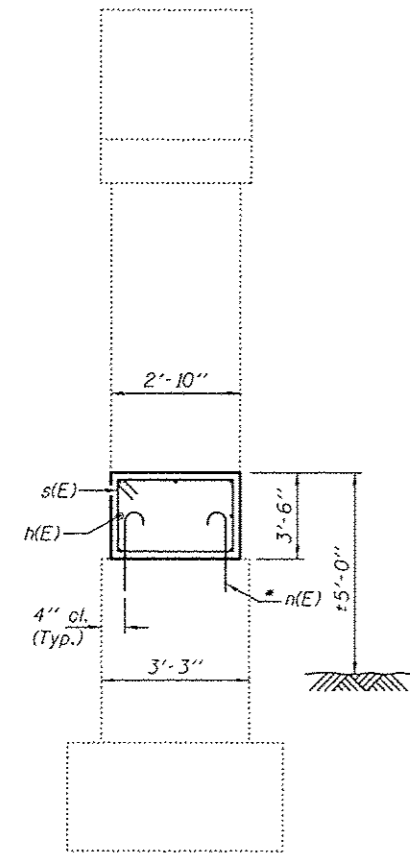


BAR s(E)



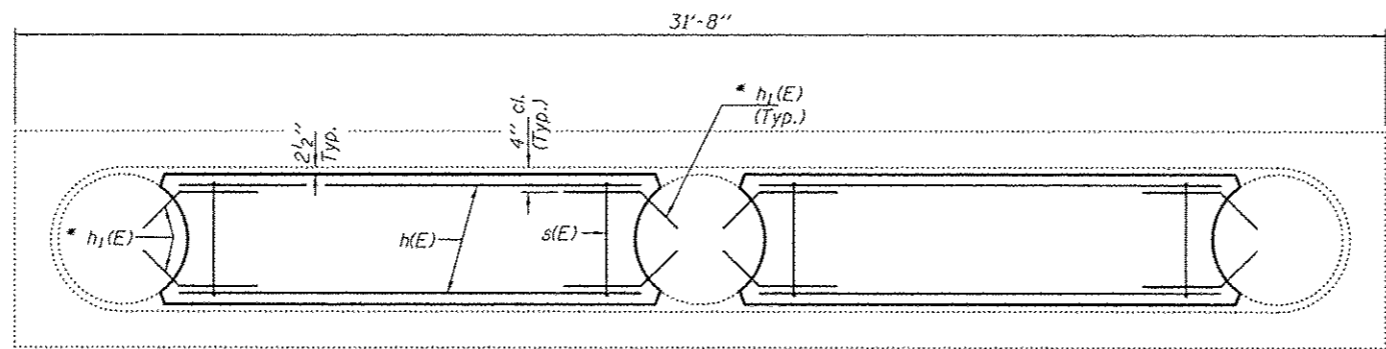
BAR n(E)

SECTION B-B



* Epoxy grout h₁(E) & n(E) bars in 9" min. holes according to Article 584 of the Standard Specifications.

ELEVATION



SECTION A-A

BILL OF MATERIAL (2 PIERS)

Bar	No.	Size	Length	Shape
n(E)	36	#5	10'-2"	—
h ₁ (E)	64	#5	3'-2"	—
n(E)	56	#5	2'-5"	—
s(E)	44	#5	12'-3"	□
Concrete Structures			Cu. Yd.	15.0
Reinforcement Bars, Epoxy Coated			Pound	1300



EXPIRES 11-30-2016

DESIGNED: *[Signature]*
 CHECKED: *[Signature]*
 DRAWN: *[Signature]*
 CHECKED: *[Signature]*

PASSED: *[Signature]*
 ACTING ENGINEER OF BRIDGES AND STRUCTURES

DATE - APRIL 25, 2016
 REVISED: _____
 REVISED: _____

STATE OF ILLINOIS
 DEPARTMENT OF TRANSPORTATION

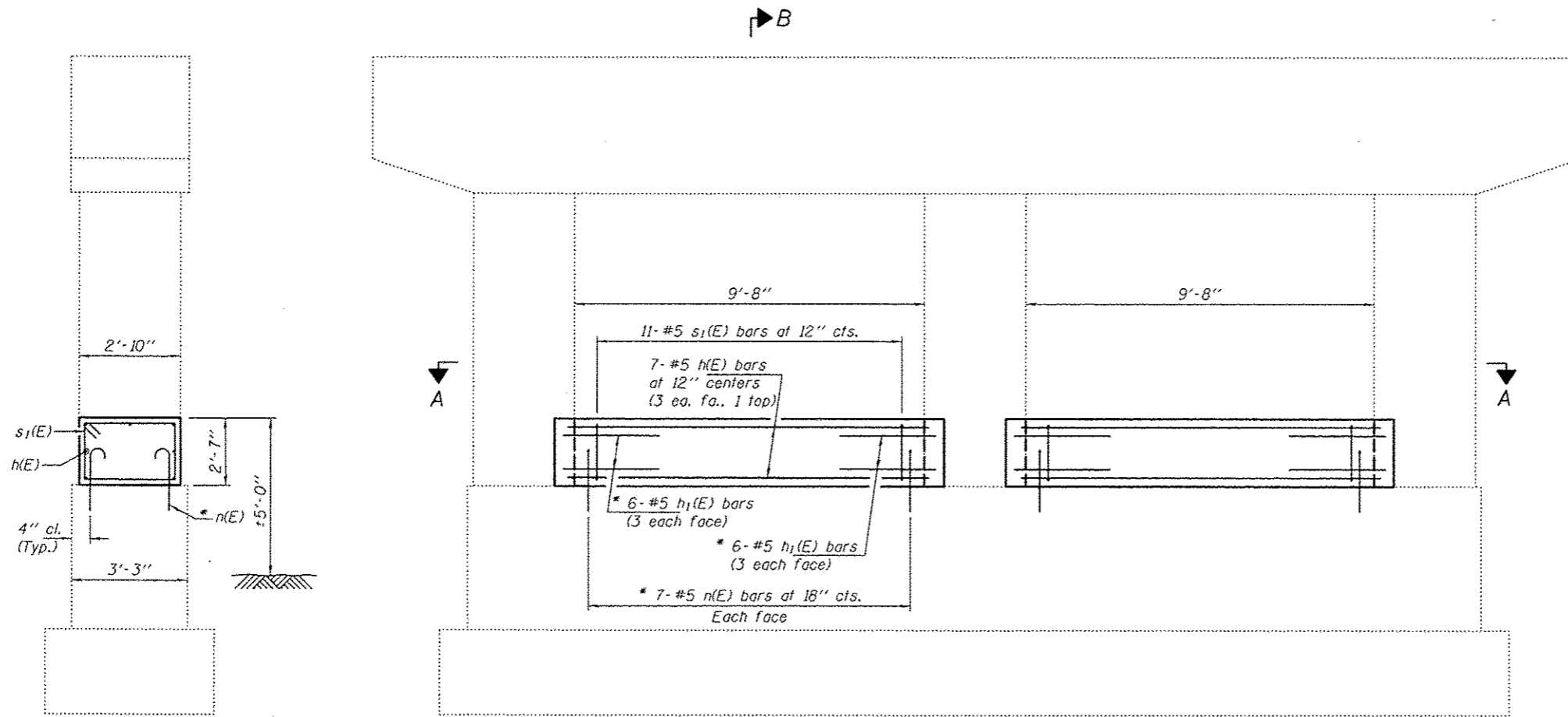
NORTH & SOUTH PIER CRASHWALL EXTENSION
 050-0077

SHEET NO. 1 OF 2 SHEETS

F.A.I. RTE.	SECTION	COUNTY	TOTAL SHEETS	SHEET NO.
80	D3-J REPLACEMENT FY 2016	LaSALLE	28	15
				CONTRACT NO. 66F35
ILLINOIS FED. AID PROJECT				

NOTES

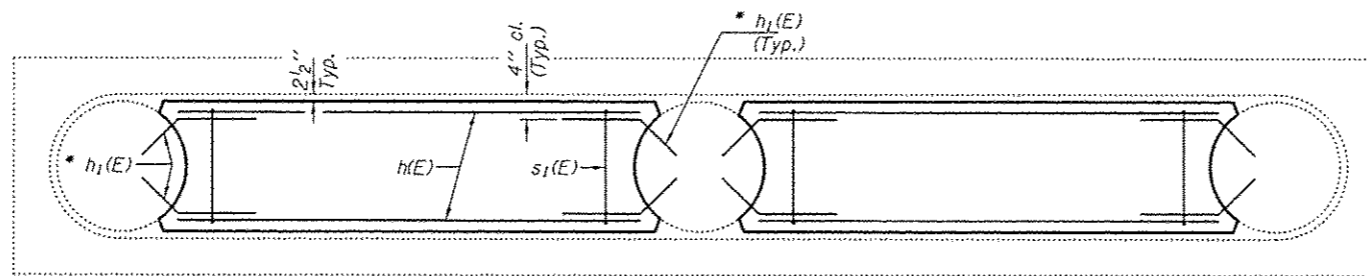
The cost of epoxy grouting threaded rods shall be included with Reinforcement Bars, Epoxy Coated.
 Plan dimensions and details relative to existing plans are subject to nominal construction variations. The Contractor shall field verify existing dimensions and details affecting new construction and make necessary approved adjustments prior to construction or ordering of materials. Such variations shall not be cause for additional compensation for a change in scope of the work, however, the Contractor will be paid for the quantity actually furnished at the unit price bid for the work.
 Reinforcement bars designated (E) shall be epoxy coated.



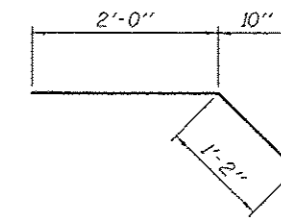
ELEVATION

SECTION B-B

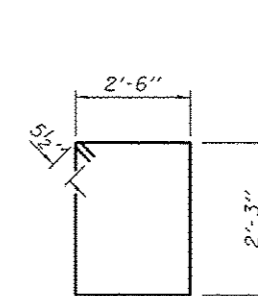
* Epoxy grout h₁(E) & n(E) bars in 9" min. holes according to Article 584 of the Standard Specifications.



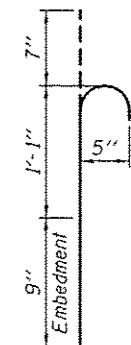
SECTION A-A



BAR h₁(E)



BAR s₁(E)



BAR n(E)

BILL OF MATERIAL

Bar	No.	Size	Length	Shape
n(E)	14	#5	10'-2"	—
h ₁ (E)	24	#5	3'-2"	—
n(E)	28	#5	2'-5"	—
s ₁ (E)	22	#5	10'-5"	□
Concrete Structures			Cu. Yd.	5.5
Reinforcement Bars, Epoxy Coated			Pound	540

DESIGNED *DAB*
 CHECKED *ARS*
 DRAWN *baliva*
 CHECKED *DAB ARS*

DATE - APRIL 25, 2016
 PASSED *Carl Perry*
 ACTING ENGINEER OF BRIDGES AND STRUCTURES

STATE OF ILLINOIS
 DEPARTMENT OF TRANSPORTATION

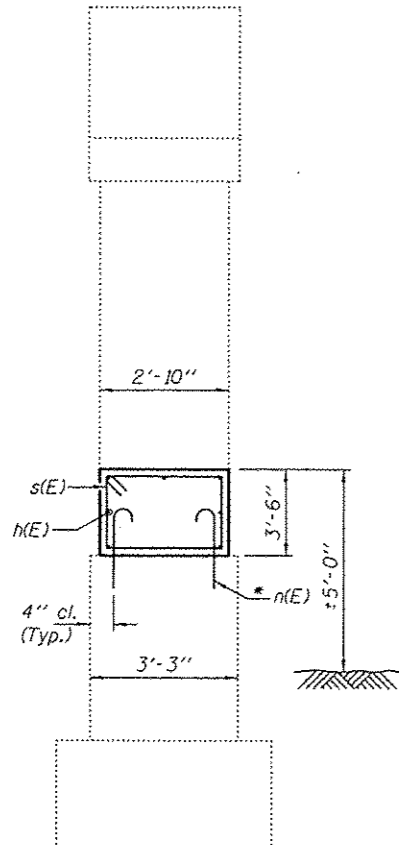
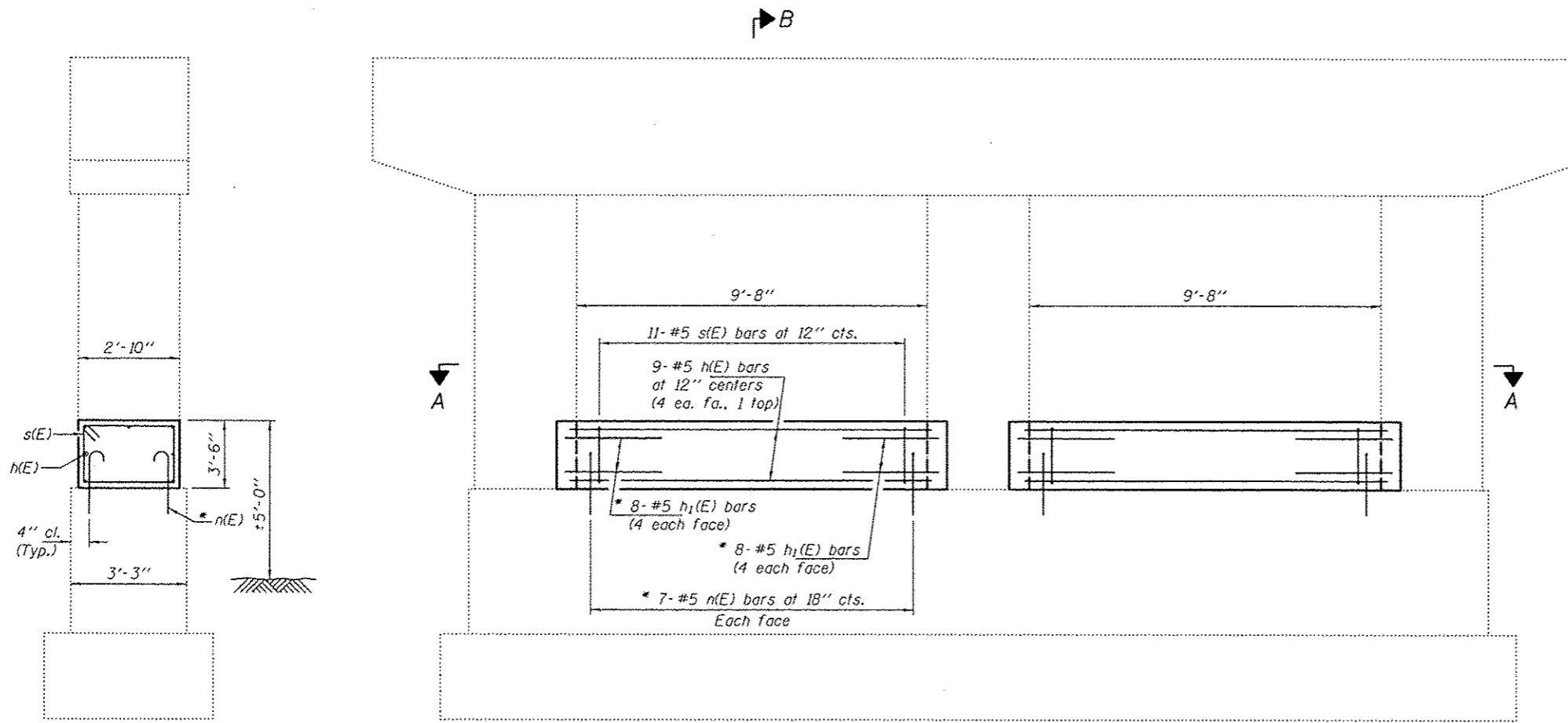
CENTER PIER CRASHWALL EXTENSION
 050-0077

SHEET NO. 2 OF 2 SHEETS

F.A.I. RTE.	SECTION	COUNTY	TOTAL SHEETS	SHEET NO.
80	D3-J REPLACEMENT FY 2016	LOSALLE	28	16
CONTRACT NO. 66F35			ILLINOIS FED. AID PROJECT	

NOTES

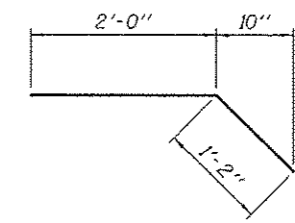
The cost of epoxy grouting threaded rods shall be included with Reinforcement Bars, Epoxy Coated.
 Plan dimensions and details relative to existing plans are subject to nominal construction variations. The Contractor shall field verify existing dimensions and details affecting new construction and make necessary approved adjustments prior to construction or ordering of materials. Such variations shall not be cause for additional compensation for a change in scope of the work, however, the Contractor will be paid for the quantity actually furnished at the unit price bid for the work.
 Reinforcement bars designated (E) shall be epoxy coated.



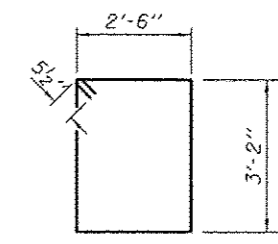
SECTION B-B

* Epoxy grout h₁(E) & n(E) bars in 9" min. holes according to Article 584 of the Standard Specifications.

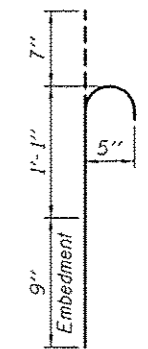
ELEVATION



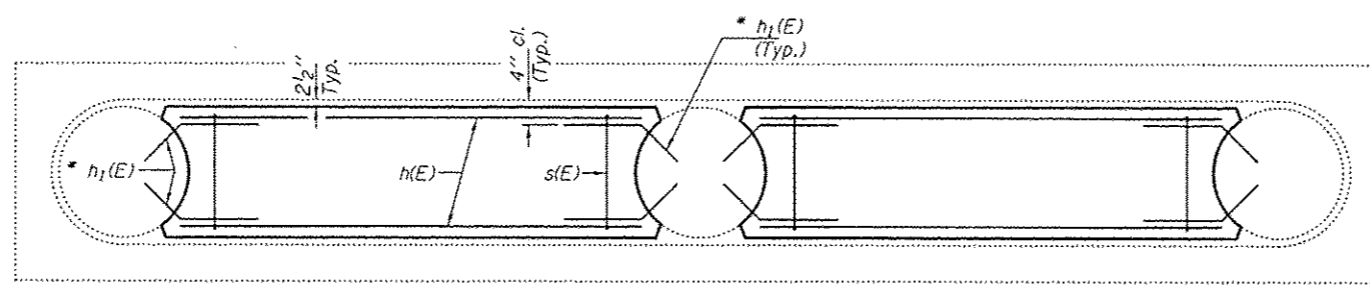
BAR h₁(E)



BAR s(E)



BAR n(E)



SECTION A-A

**BILL OF MATERIAL
(2 PIERS)**

Bar	No.	Size	Length	Shape
h(E)	36	#5	10'-2"	—
h ₁ (E)	64	#5	3'-2"	—
n(E)	56	#5	2'-5"	—
s(E)	44	#5	12'-2"	□
Concrete Structures			Cu. Yd.	15.0
Reinforcement Bars, Epoxy Coated			Pound	1300



DESIGNED: *[Signature]*
 CHECKED: *[Signature]*
 DRAWN: *[Signature]*
 CHECKED: *[Signature]*

PASSED: *[Signature]*
 ACTING ENGINEER OF BRIDGES AND STRUCTURES

DATE - APRIL 25, 2016
 REVISED: _____
 REVISED: _____

STATE OF ILLINOIS
 DEPARTMENT OF TRANSPORTATION

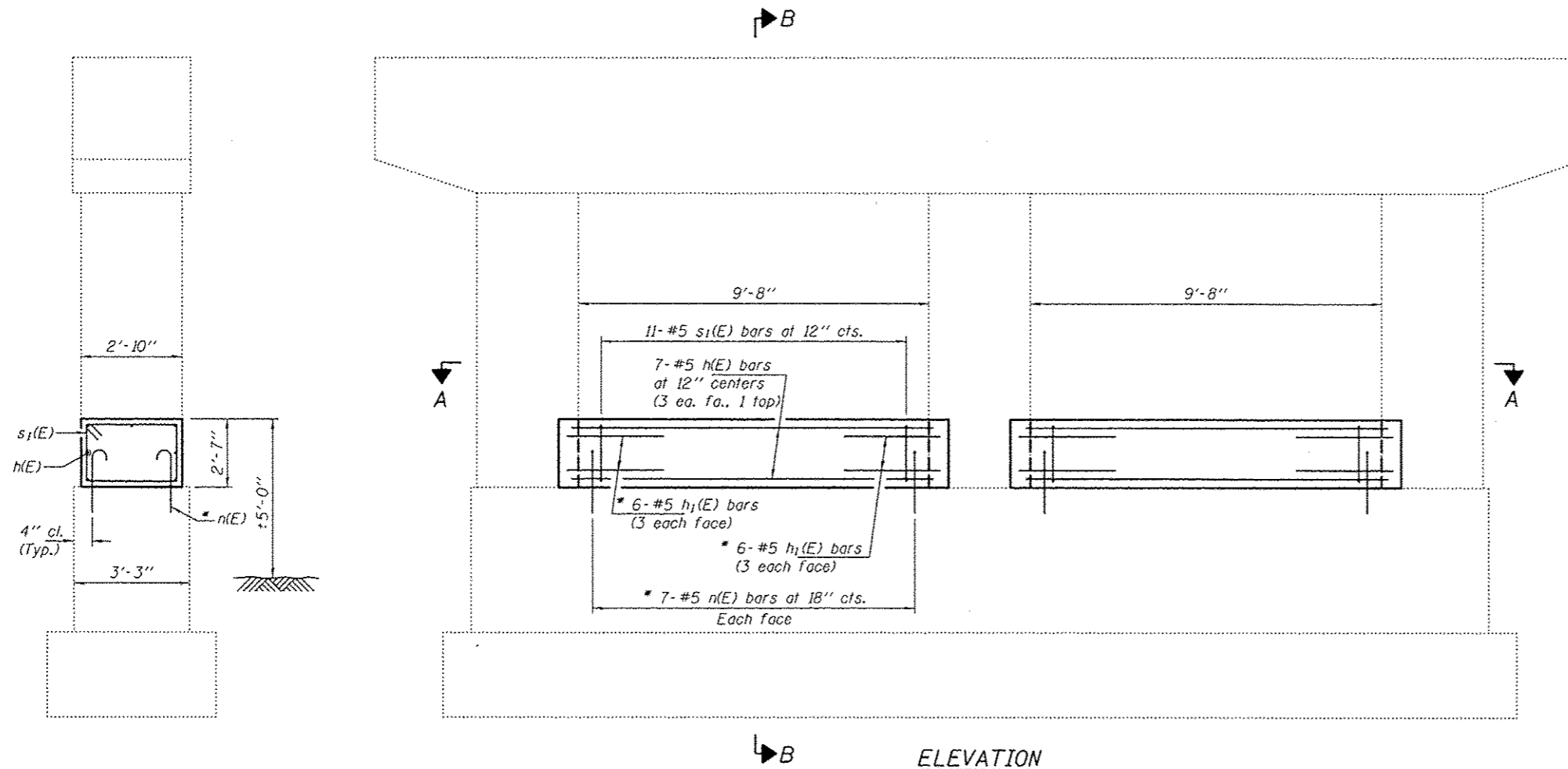
NORTH & SOUTH PIER CRASHWALL EXTENSION
 050-0078

SHEET NO. 1 OF 2 SHEETS

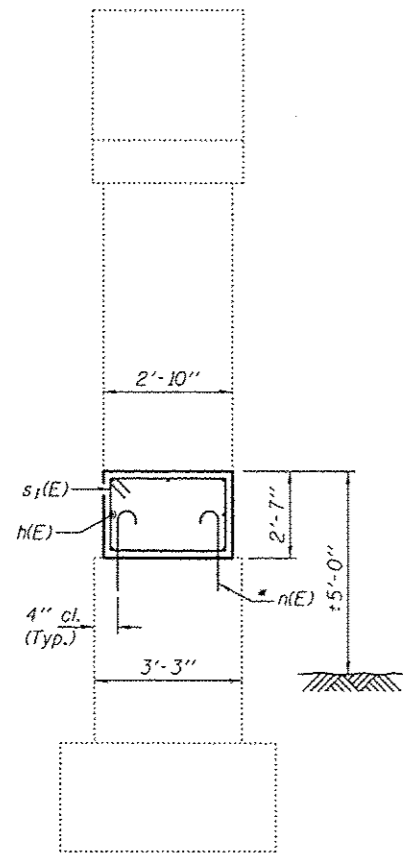
F.A.I. RTE.	SECTION	COUNTY	TOTAL SHEETS	SHEET NO.
80	83-J REPLACEMENT FY 2016	LoSALLE	28	17
CONTRACT NO. 66F35			ILLINOIS FED. AID PROJECT	

NOTES

The cost of epoxy grouting threaded rods shall be included with Reinforcement Bars, Epoxy Coated.
 Plan dimensions and details relative to existing plans are subject to nominal construction variations. The Contractor shall field verify existing dimensions and details affecting new construction and make necessary approved adjustments prior to construction or ordering of materials. Such variations shall not be cause for additional compensation for a change in scope of the work, however, the Contractor will be paid for the quantity actually furnished at the unit price bid for the work.
 Reinforcement bars designated (E) shall be epoxy coated.

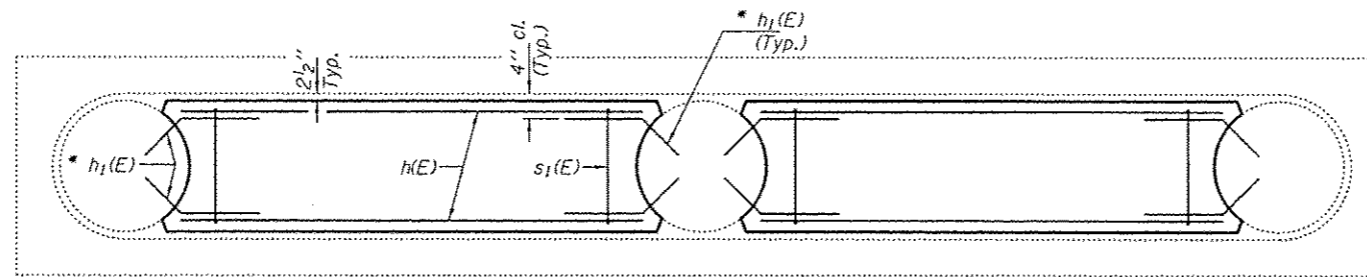


ELEVATION

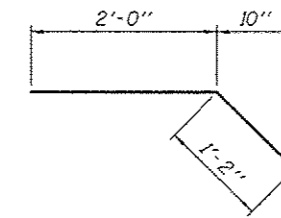


SECTION B-B

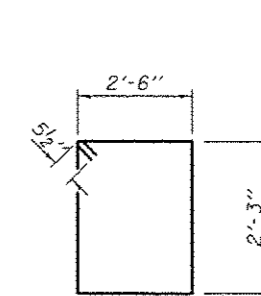
* Epoxy grout h₁(E) & n(E) bars in 9" min. holes according to Article 584 of the Standard Specifications.



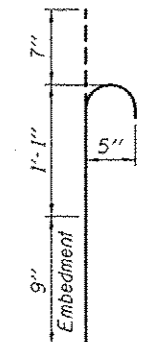
SECTION A-A



BAR h₁(E)



BAR s₁(E)



BAR n(E)

BILL OF MATERIAL

Bar	No.	Size	Length	Shape
n(E)	14	#5	10'-2"	—
h ₁ (E)	24	#5	3'-2"	—
n(E)	28	#5	2'-5"	—
s ₁ (E)	22	#5	10'-5"	□
Concrete Structures			Cu. Yd.	5.5
Reinforcement Bars, Epoxy Coated			Pound	540

DESIGNED *DAB*
 CHECKED *ARS*
 DRAWN *baliva*
 CHECKED *DAB ARS*

DATE - *APRIL 25, 2016*
 PASSED *[Signature]*
 ACTING ENGINEER OF BRIDGES AND STRUCTURES

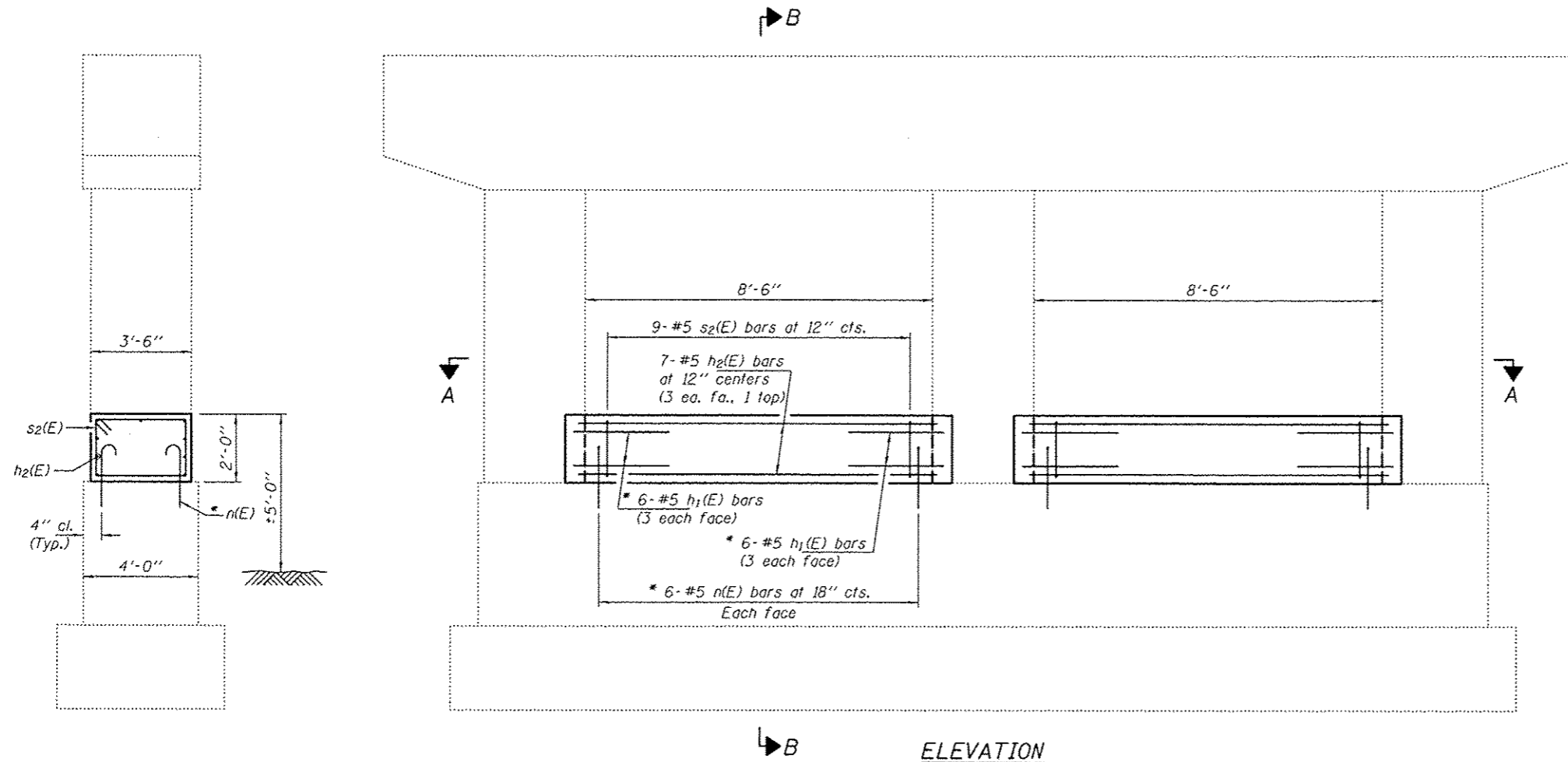
STATE OF ILLINOIS
 DEPARTMENT OF TRANSPORTATION

CENTER PIER CRASHWALL EXTENSION
 050-0078
 SHEET NO. 2 OF 2 SHEETS

F.A.I. RTE.	SECTION	COUNTY	TOTAL SHEETS	SHEET NO.
80	D3-J REPLACEMENT FY 2016	LOSALLE	28	18
			CONTRACT NO. 66F35	
ILLINOIS FED. AID PROJECT				

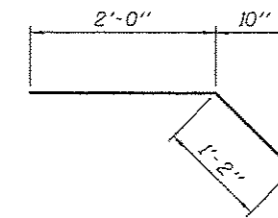
NOTES

The cost of epoxy grouting threaded rods shall be included with Reinforcement Bars, Epoxy Coated.
 Plan dimensions and details relative to existing plans are subject to nominal construction variations. The Contractor shall field verify existing dimensions and details affecting new construction and make necessary approved adjustments prior to construction or ordering of materials. Such variations shall not be cause for additional compensation for a change in scope of the work, however, the Contractor will be paid for the quantity actually furnished at the unit price bid for the work.
 Reinforcement bars designated (E) shall be epoxy coated.

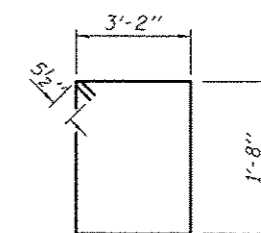


ELEVATION

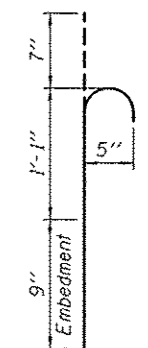
* Epoxy grout h₁(E) & n(E) bars in 9" min. holes according to Article 584 of the Standard Specifications.



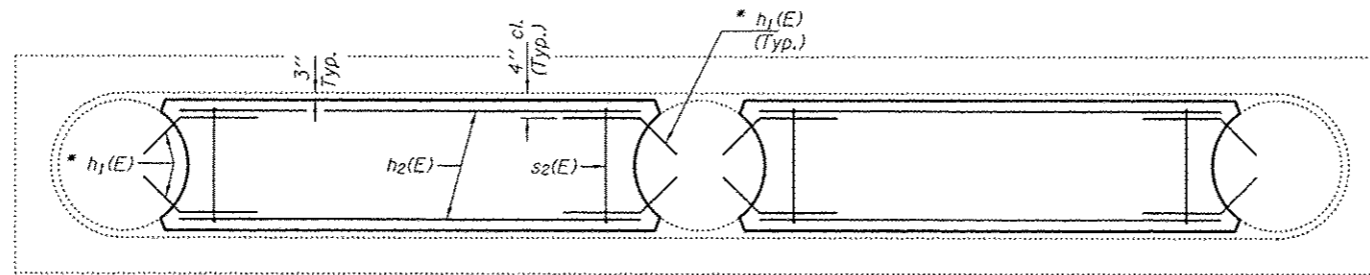
BAR h₁(E)



BAR s₂(E)



BAR n(E)

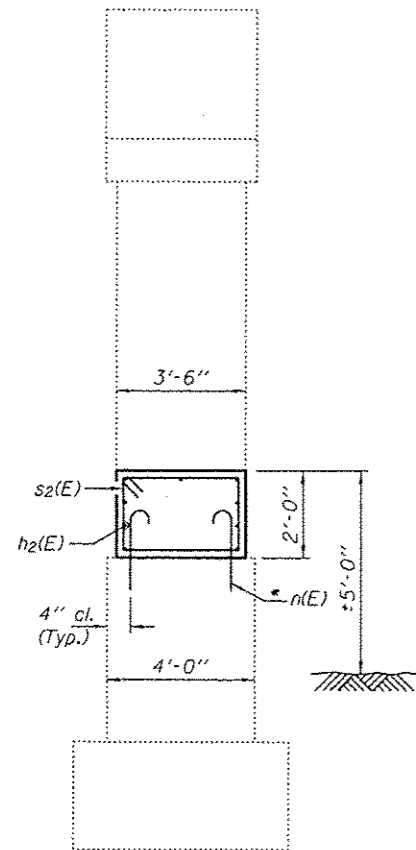


SECTION A-A

BILL OF MATERIAL

Bar	No.	Size	Length	Shape
h ₁ (E)	24	#5	3'-2"	—
h ₂ (E)	14	#5	9'-6"	—
n(E)	24	#5	2'-5"	—
s ₂ (E)	18	#5	10'-7"	□
Concrete Structures			Cu. Yd.	4.8
Reinforcement Bars, Epoxy Coated			Pound	480

SECTION B-B



EXPIRES 11-30-2016

DESIGNED: *[Signature]*
 CHECKED: *[Signature]*
 DRAWN: *[Signature]*
 CHECKED: *[Signature]*

PASSED: *[Signature]*
 ACTING ENGINEER OF BRIDGES AND STRUCTURES

DATE - APRIL 25, 2016
 REVISED
 REVISED

STATE OF ILLINOIS
 DEPARTMENT OF TRANSPORTATION

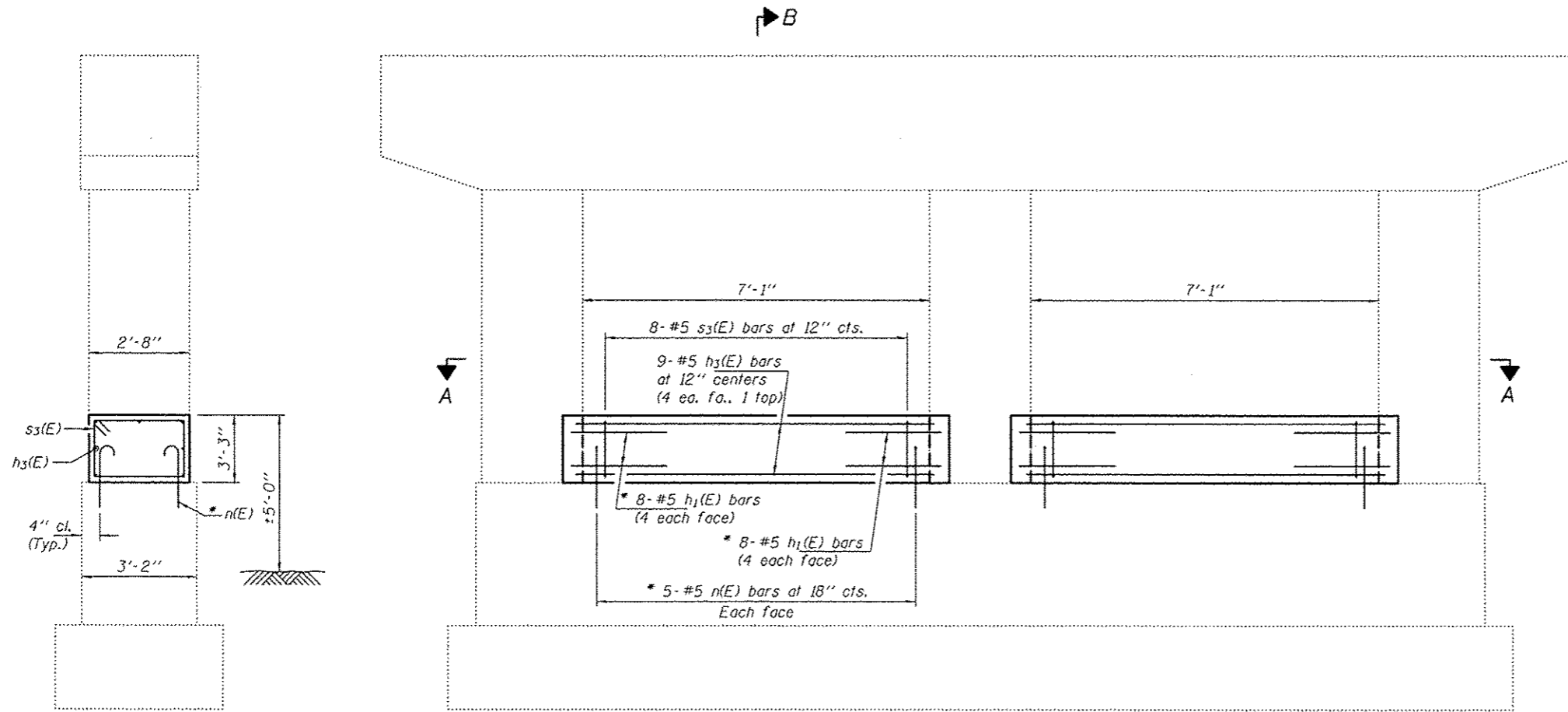
PIER CRASHWALL EXTENSION
 050-0093

SHEET NO. 1 OF 1 SHEETS

F.A.I. RTE.	SECTION	COUNTY	TOTAL SHEETS	SHEET NO.
80	D3-J REPLACEMENT FY 2016	LOSALLE	28	19
				CONTRACT NO. 66F35
ILLINOIS FED. AID PROJECT				

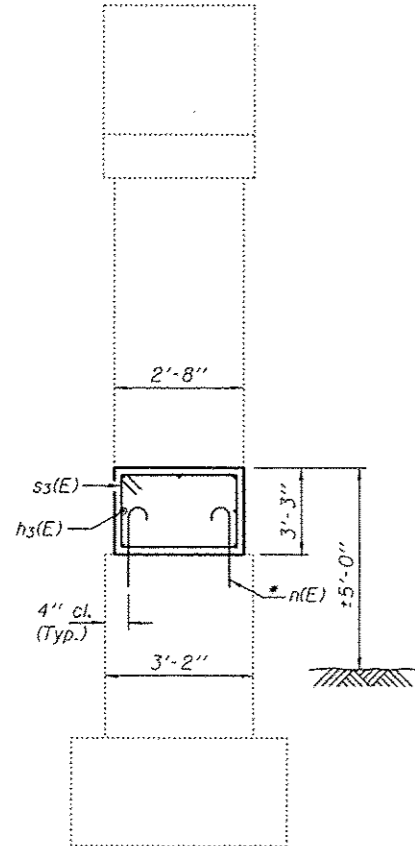
NOTES

The cost of epoxy grouting threaded rods shall be included with Reinforcement Bars, Epoxy Coated.
 Plan dimensions and details relative to existing plans are subject to nominal construction variations. The Contractor shall field verify existing dimensions and details affecting new construction and make necessary approved adjustments prior to construction or ordering of materials. Such variations shall not be cause for additional compensation for a change in scope of the work, however, the Contractor will be paid for the quantity actually furnished at the unit price bid for the work.
 Reinforcement bars designated (E) shall be epoxy coated.

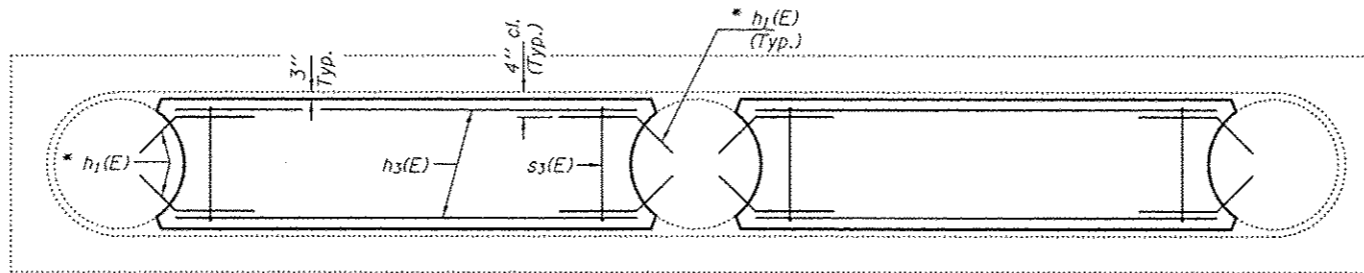


ELEVATION

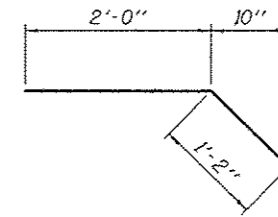
* Epoxy grout h₁(E) & n(E) bars in 9" min. holes according to Article 584 of the Standard Specifications.



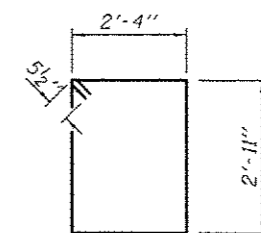
SECTION B-B



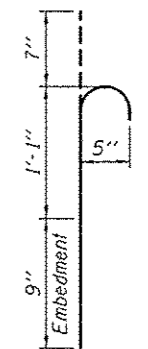
SECTION A-A



BAR h₁(E)



BAR s₃(E)



BAR n(E)

**BILL OF MATERIAL
(2 PIERS)**

Bar	No.	Size	Length	Shape
h ₁ (E)	64	#5	3'-2"	┌
h ₃ (E)	36	#5	7'-6"	—
n(E)	40	#5	2'-5"	└
s ₃ (E)	32	#5	11'-5"	□
Concrete Structures			Cu. Yd.	9.7
Reinforcement Bars, Epoxy Coated			Pound	980



EXPIRES 11-30-2016

DESIGNED: *[Signature]*
 CHECKED: *[Signature]*
 DRAWN: *[Signature]*
 CHECKED: *[Signature]*

PASSED: *[Signature]*
 ACTING ENGINEER OF BRIDGES AND STRUCTURES

DATE: APRIL 25, 2016
 REVISED: _____
 REVISED: _____

STATE OF ILLINOIS
 DEPARTMENT OF TRANSPORTATION

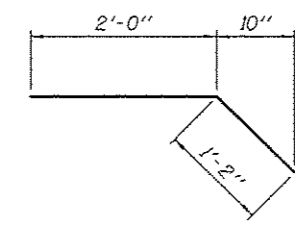
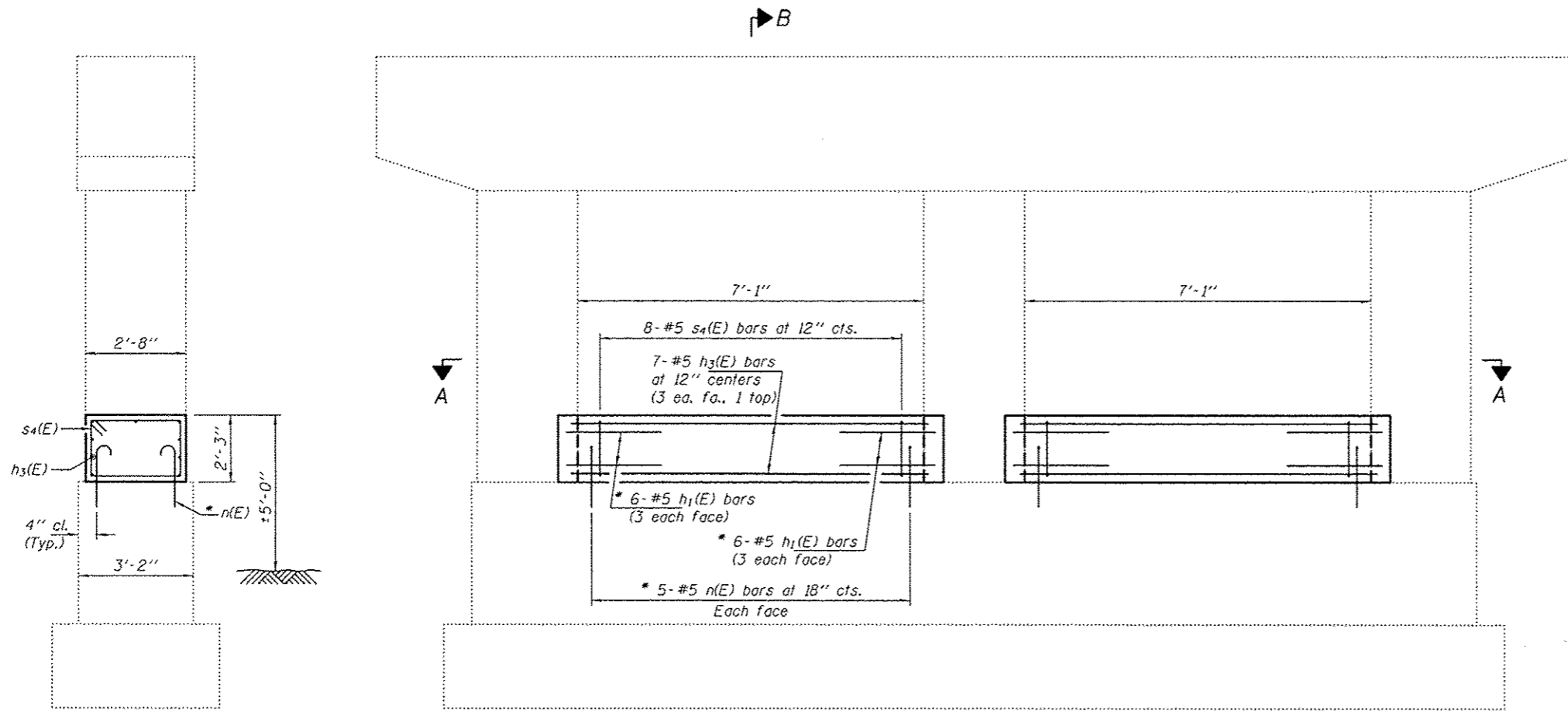
NORTH & SOUTH PIER CRASHWALL EXTENSION
 050-0125

SHEET NO. 1 OF 2 SHEETS

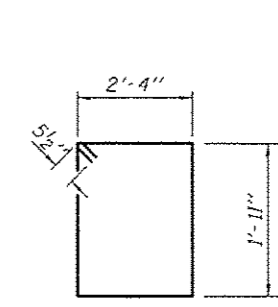
F.A.I. RTE.	SECTION	COUNTY	TOTAL SHEETS	SHEET NO.
80	D3-J REPLACEMENT FY 2016	LOSALLE	28	20
				CONTRACT NO. 66F35
ILLINOIS FED. AID PROJECT				

NOTES

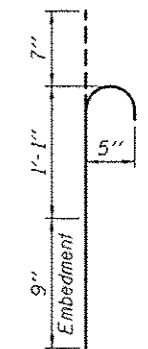
The cost of epoxy grouting threaded rods shall be included with Reinforcement Bars, Epoxy Coated.
 Plan dimensions and details relative to existing plans are subject to nominal construction variations. The Contractor shall field verify existing dimensions and details affecting new construction and make necessary approved adjustments prior to construction or ordering of materials. Such variations shall not be cause for additional compensation for a change in scope of the work, however, the Contractor will be paid for the quantity actually furnished at the unit price bid for the work.
 Reinforcement bars designated (E) shall be epoxy coated.



BAR h1(E)

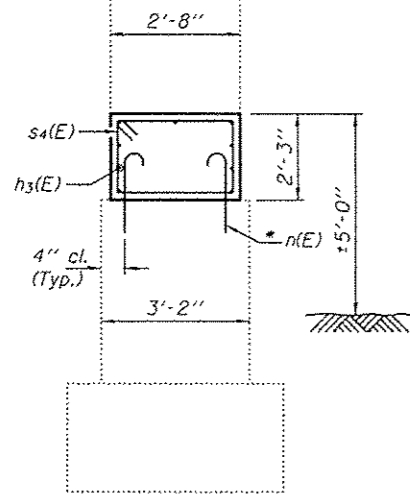


BAR s4(E)



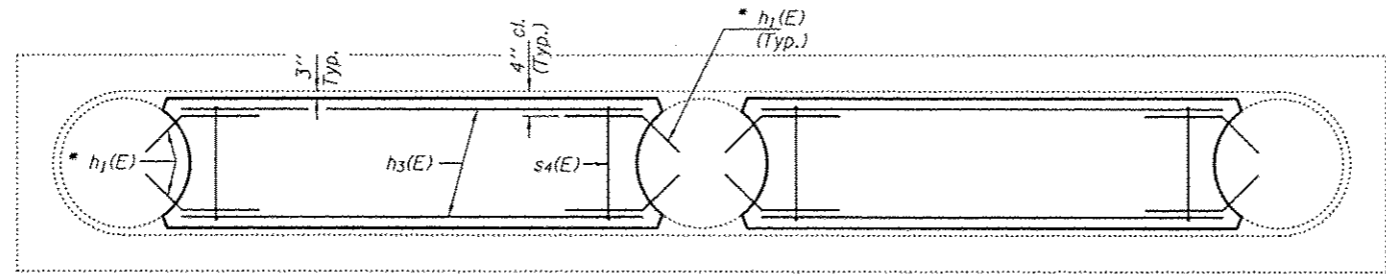
BAR n(E)

SECTION B-B



* Epoxy grout h1(E) & n(E) bars in 9" min. holes according to Article 584 of the Standard Specifications.

ELEVATION



SECTION A-A

BILL OF MATERIAL

Bar	No.	Size	Length	Shape
h1(E)	24	#5	3'-2"	—
h3(E)	14	#5	7'-6"	—
n(E)	20	#5	2'-5"	—
s4(E)	16	#5	9'-5"	□
Concrete Structures			Cu. Yd.	3.4
Reinforcement Bars, Epoxy Coated			Pound	400

DESIGNED *DAB*
 CHECKED *ARS*
 DRAWN *baliva*
 CHECKED *DAB ARS*

DATE - *APRIL 25, 2016*
 PASSED *Carl Perry*
 ACTING ENGINEER OF BRIDGES AND STRUCTURES

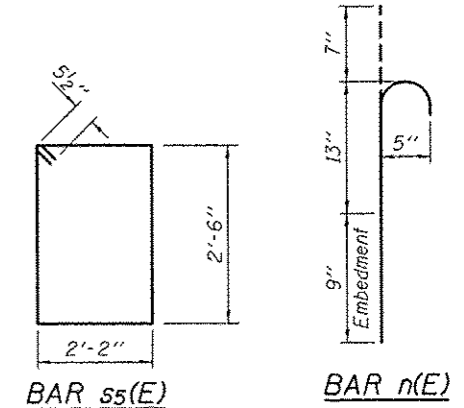
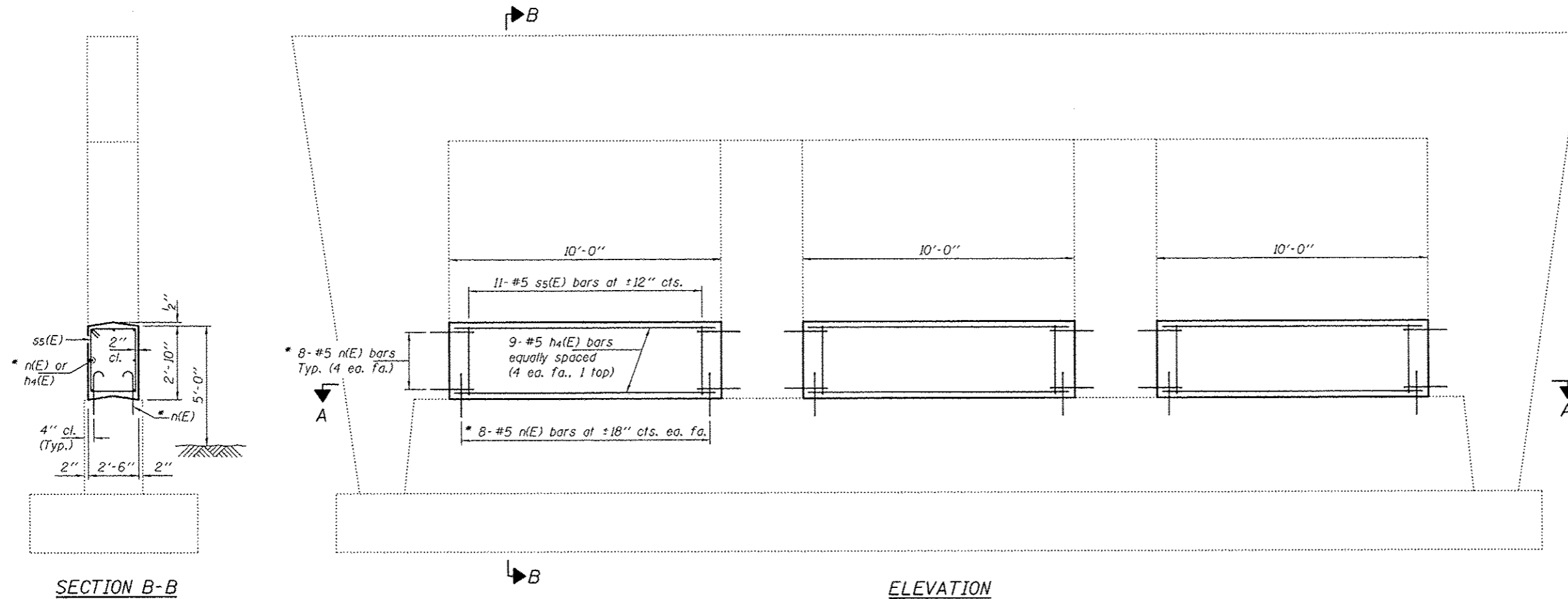
STATE OF ILLINOIS
 DEPARTMENT OF TRANSPORTATION

CENTER PIER CRASHWALL EXTENSION
 050-0125
 SHEET NO. 2 OF 2 SHEETS

F.A.I. RTE.	SECTION	COUNTY	TOTAL SHEETS	SHEET NO.
80	D3-J REPLACEMENT FY 2016	LoSALLE	28	21
CONTRACT NO. 66F35			ILLINOIS FED. AID PROJECT	

NOTES

The cost of epoxy grouting threaded rods shall be included with Reinforcement Bars, Epoxy Coated.
 Plan dimensions and details relative to existing plans are subject to nominal construction variations. The Contractor shall field verify existing dimensions and details affecting new construction and make necessary approved adjustments prior to construction or ordering of materials. Such variations shall not be cause for additional compensation for a change in scope of the work, however, the Contractor will be paid for the quantity actually furnished at the unit price bid for the work.
 Reinforcement bars designated (E) shall be epoxy coated.



* Epoxy grout n(E) bars in 9" min. holes according to Article 584 of the Standard Specifications.



EXPIRES 11-30-2016

DESIGNED: [Signature]
 CHECKED: [Signature]
 DRAWN: [Signature]
 CHECKED: [Signature]

PASSED: [Signature]
 ACTING ENGINEER OF BRIDGES AND STRUCTURES

DATE - APRIL 25, 2016
 REVISED
 REVISED

STATE OF ILLINOIS
 DEPARTMENT OF TRANSPORTATION

PIER CRASHWALL EXTENSION
 050-0177

SHEET NO. 1 OF 1 SHEETS

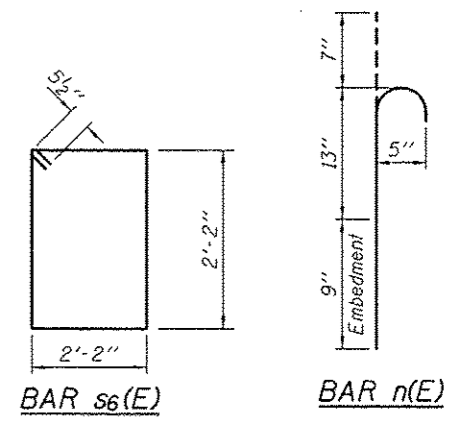
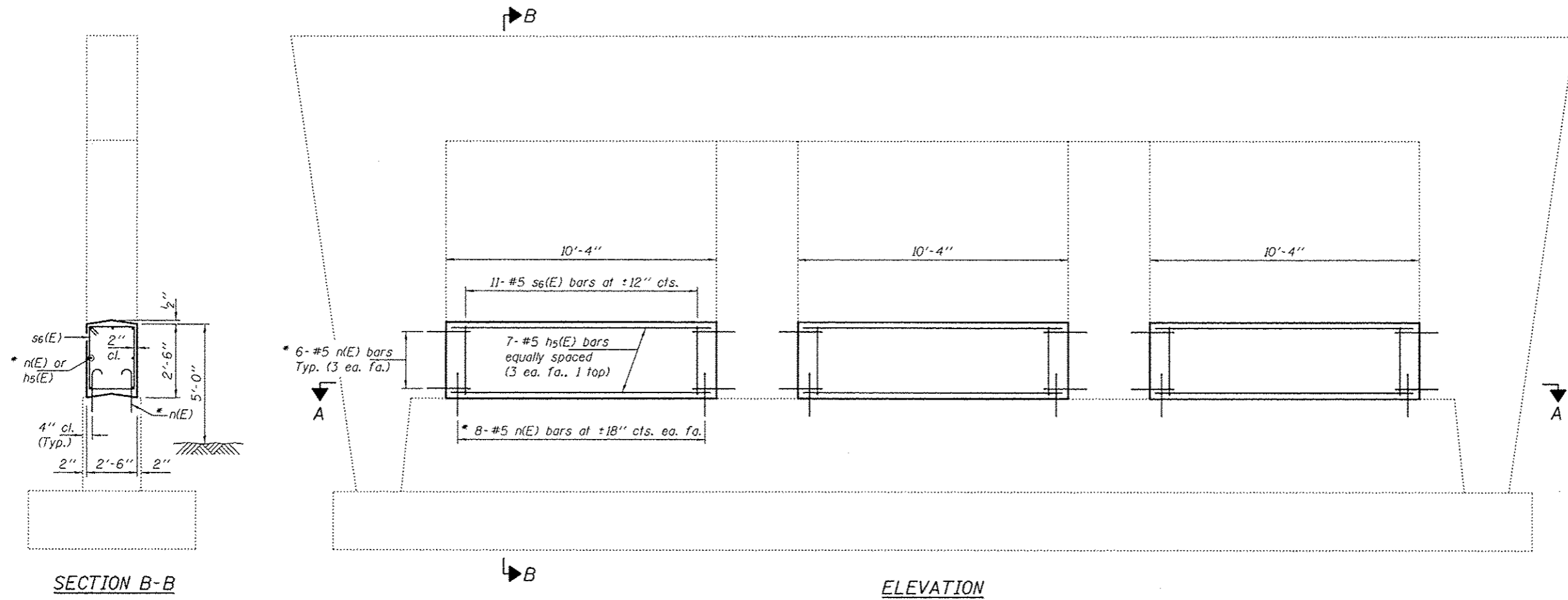
BILL OF MATERIAL

Bar	No.	Size	Length	Shape
h4(E)	27	#5	9'-8"	—
n(E)	96	#5	2'-5"	⌒
ss(E)	33	#5	10'-3"	□
Concrete Structures			Cu. Yd.	7.9
Reinforcement Bars, Epoxy Coated			Pound	870

F.A.J. RTE.	SECTION	COUNTY	TOTAL SHEETS	SHEET NO.
80	D3-J REPLACEMENT FY 2016	LaSALLE	28	22
				CONTRACT NO. 66F35
[ILLINOIS] FED. AID PROJECT				

NOTES

The cost of epoxy grouting threaded rods shall be included with Reinforcement Bars, Epoxy Coated.
 Plan dimensions and details relative to existing plans are subject to nominal construction variations. The Contractor shall field verify existing dimensions and details affecting new construction and make necessary approved adjustments prior to construction or ordering of materials. Such variations shall not be cause for additional compensation for a change in scope of the work, however, the Contractor will be paid for the quantity actually furnished at the unit price bid for the work.
 Reinforcement bars designated (E) shall be epoxy coated.



* Epoxy grout n(E) bars in 9" min. holes according to Article 5B4 of the Standard Specifications.



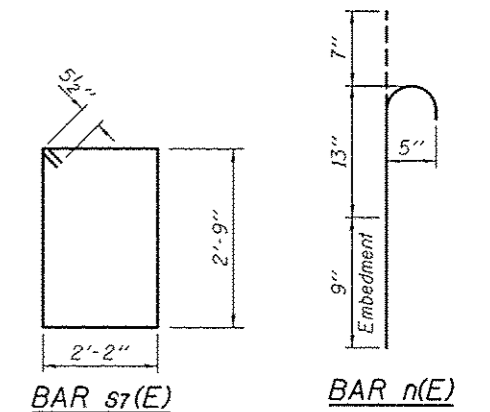
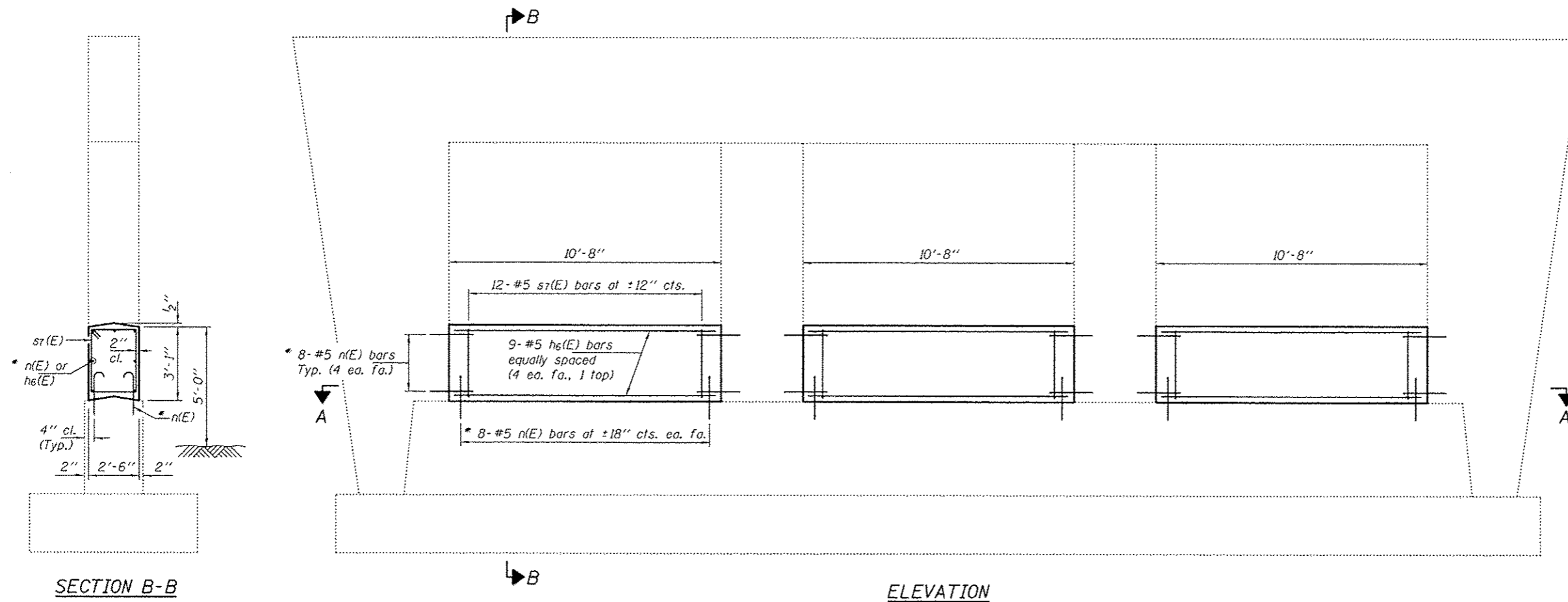
BILL OF MATERIAL

Bar	No.	Size	Length	Shape
h5(E)	21	#5	10'-0"	—
n(E)	84	#5	2'-5"	⌒
s6(E)	33	#5	9'-7"	□
Concrete Structures			Cu. Yd.	7.2
Reinforcement Bars, Epoxy Coated			Pound	760

DESIGNED: <i>[Signature]</i>	CHECKED: <i>[Signature]</i>	DRAWN: <i>[Signature]</i>	CHECKED: <i>[Signature]</i>	DATE: APRIL 25, 2016	REVISED:	REVISED:	STATE OF ILLINOIS DEPARTMENT OF TRANSPORTATION	PIER CRASHWALL EXTENSION 050-0178	SHEET NO. 1 OF 1 SHEETS	F.A.I. RTE. SECTION COUNTY TOTAL SHEETS SHEET NO. 80 D3-J REPLACEMENT FY 2016 LOGSALLE 28 23	CONTRACT NO. 66F35	ILLINOIS FED. AID PROJECT
------------------------------	-----------------------------	---------------------------	-----------------------------	----------------------	----------	----------	---	--------------------------------------	-------------------------	---	--------------------	---------------------------

NOTES

The cost of epoxy grouting threaded rods shall be included with Reinforcement Bars, Epoxy Coated.
 Plan dimensions and details relative to existing plans are subject to nominal construction variations. The Contractor shall field verify existing dimensions and details affecting new construction and make necessary approved adjustments prior to construction or ordering of materials. Such variations shall not be cause for additional compensation for a change in scope of the work, however, the Contractor will be paid for the quantity actually furnished at the unit price bid for the work.
 Reinforcement bars designated (E) shall be epoxy coated.



* Epoxy grout n(E) bars in 9" min. holes according to Article 584 of the Standard Specifications.



BILL OF MATERIAL

Bar	No.	Size	Length	Shape
h6(E)	27	#5	10'-4"	—
n(E)	96	#5	2'-5"	⊔
s7(E)	36	#5	10'-9"	□
Concrete Structures			Cu. Yd.	9.1
Reinforcement Bars, Epoxy Coated			Pound	940

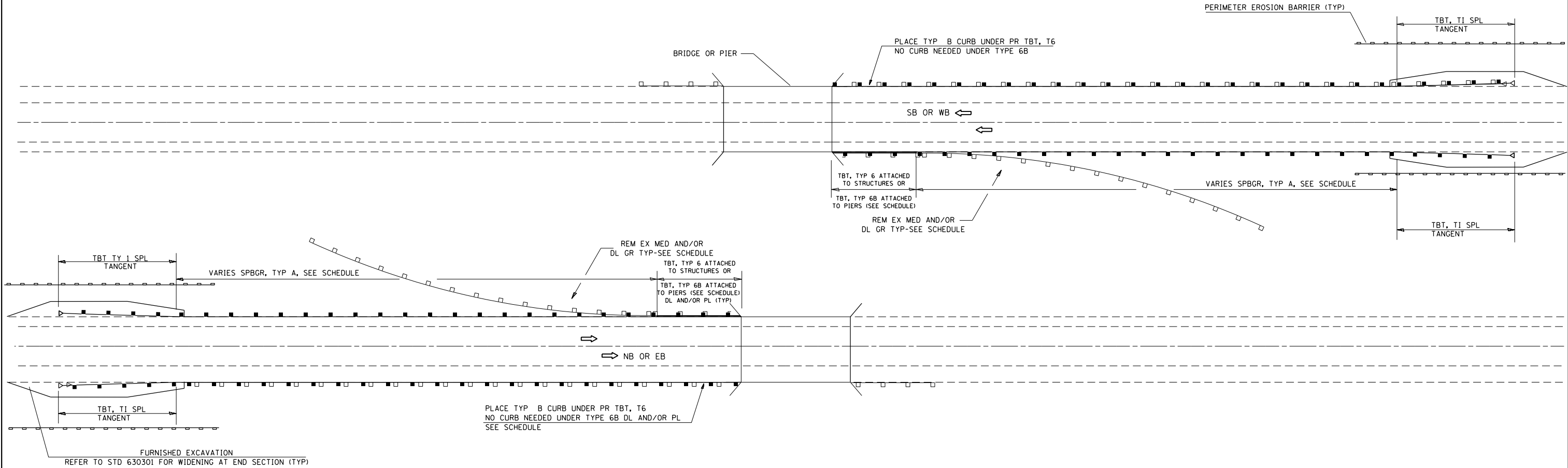
EXPIRES 11-30-2016

DESIGNED: <i>[Signature]</i>	DATE: APRIL 25, 2016	STATE OF ILLINOIS DEPARTMENT OF TRANSPORTATION	PIER CRASHWALL EXTENSION 050-0230	F.A.T. RTE.	SECTION	COUNTY	TOTAL SHEETS	SHEET NO.
CHECKED: <i>[Signature]</i>	REVISED			80	D3-J REPLACEMENT FY 2016	LO-SALLE	28	24
DRAWN: <i>[Signature]</i>	REVISED			CONTRACT NO. 66F35				
CHECKED: <i>[Signature]</i>	REVISED			ILLINOIS FED. AID PROJECT				

ACTING ENGINEER OF BRIDGES AND STRUCTURES

SHEET NO. 1 OF 1 SHEETS

NOTE: NOT TO SCALE



TYPICAL GUARDRAIL TREATMENT AT STRUCTURES AND PIERS

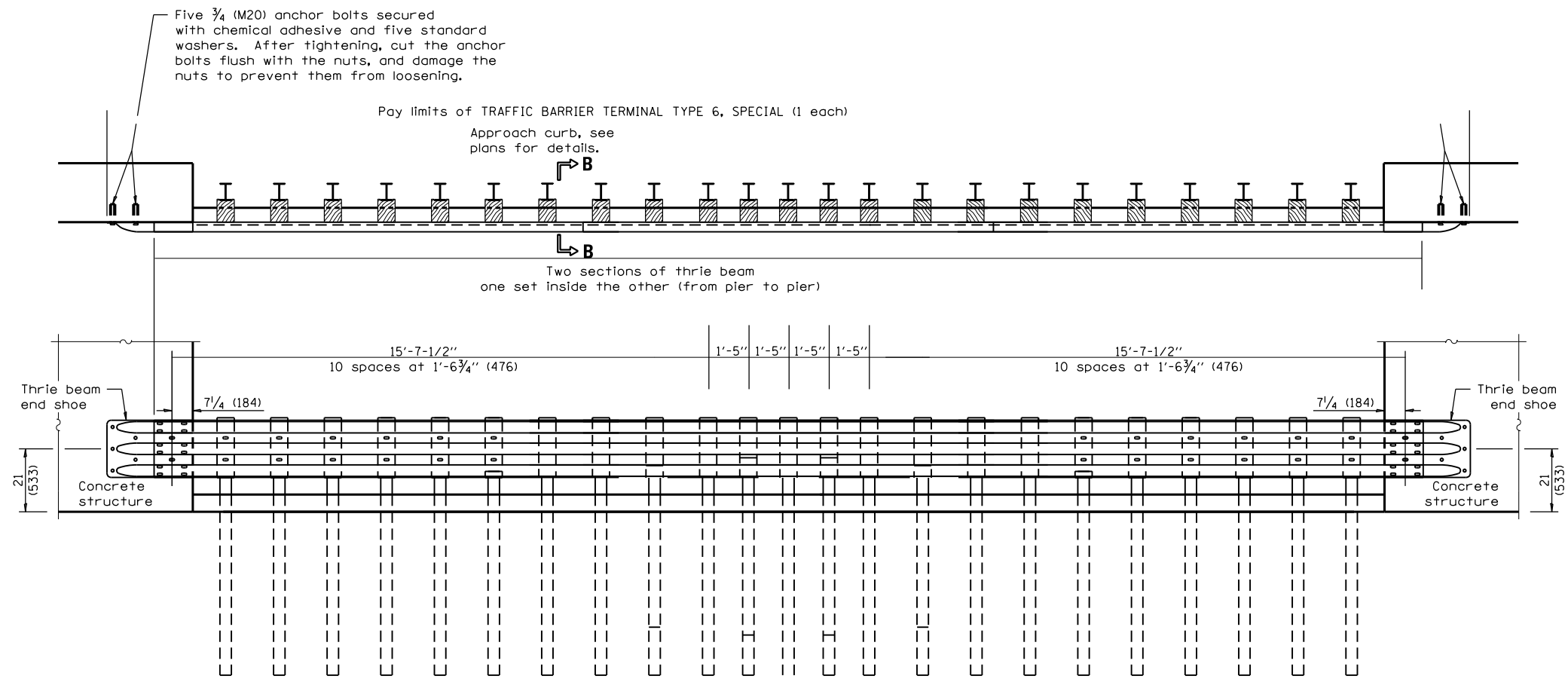
FILE NAME =	USER NAME = santiaogct	DESIGNED -	REVISED -
pw:\IL\084EBIDINTEG\illinois.gov\PWIDOT\Documents\DOT Offices\District 3\Projects\0366\Drawings\GAD\Drawings\03xxxx-shd-detail.dwg		DRAWN -	REVISED -
Default	PLOT SCALE = 100.0000' / in.	CHECKED -	REVISED -
	PLOT DATE = 3/18/2016	DATE -	REVISED -

STATE OF ILLINOIS
DEPARTMENT OF TRANSPORTATION

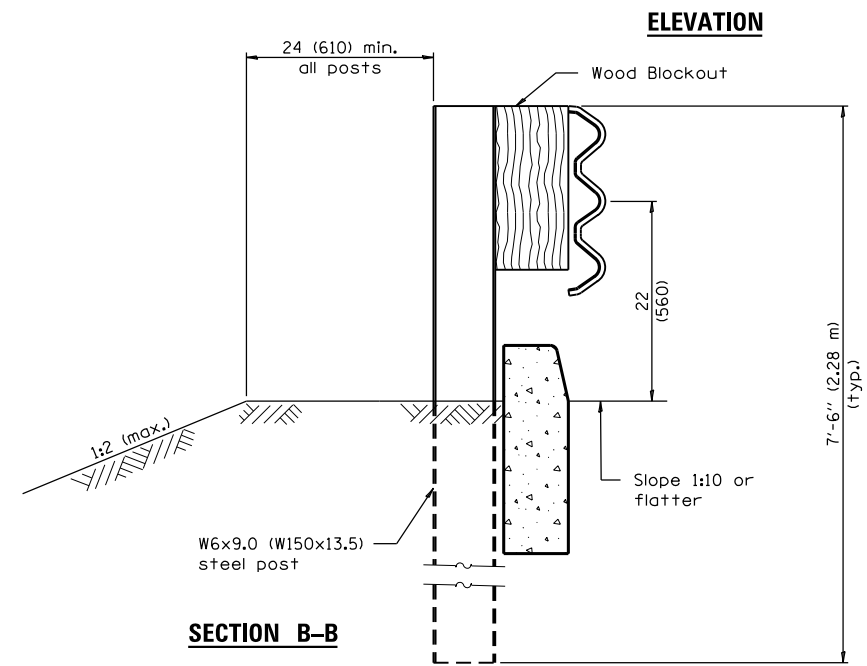
GUARDRAIL TREATMENT DETAIL

SCALE: SHEET OF SHEETS STA. TO STA.

F.A. RTE.	SECTION	COUNTY	TOTAL SHEETS	SHEET NO.
VAR. D3-J REPLACEMENT FY 2016			28	25
ILLINOIS FED. AID PROJECT			CONTRACT NO. 66F35	



NOTE: CONTRACTOR SHALL VERIFY THE DISTANCE BETWEEN PIERS BEFORE ORDERING PARTS. POST SPACING SHALL BE ADJUSTED ACCORDINGLY. MAX. SPACING IS 1'-6 3/4"



TRAFFIC BARRIER TERMINAL, TYPE 6 (SPECIAL)
SEE STD 631031 FOR DETAILS NOT SHOWN

FILE NAME =	USER NAME = santiaogct	DESIGNED -	REVISED -	STATE OF ILLINOIS DEPARTMENT OF TRANSPORTATION	TRAFFIC BARRIER TERMINAL, TYPE 6 (SPECIAL) AT SN 050-0077 & SN 050-0078 (IL 251 & I-80)	F.A. RTÉ.	SECTION	COUNTY	TOTAL SHEETS	SHEET NO.	
pw:\IL\084EBIDINTEG.illinois.gov\PIWIDOT\Documents\DOT Offices\District 3\Projects\0366\Drawings\AD\Drawings\03xxxx-shr-detail.dwg	PLotted	DATE	DATE			VAR. D3-J REPLACEMENT FY 2016	VARIOUS	28	26	CONTRACT NO. 66F35	
Default	PLOT SCALE = 100.0000' / in.	CHECKED -	REVISED -			SCALE:	SHEET	OF	SHEETS	STA.	TO STA.
	PLOT DATE = 3/18/2016	DATE -	REVISED -								
						ILLINOIS FED. AID PROJECT					

