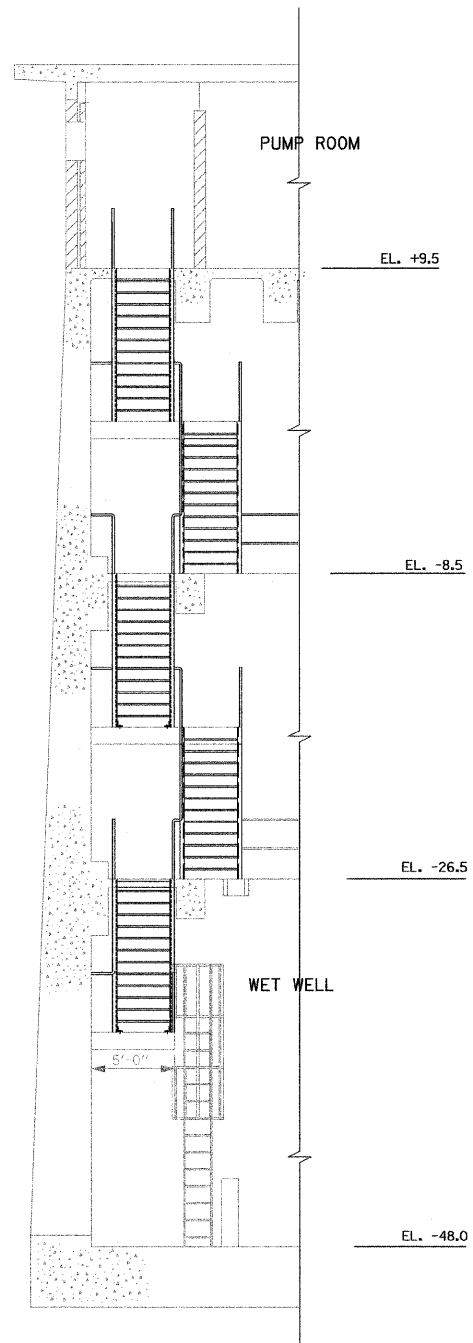
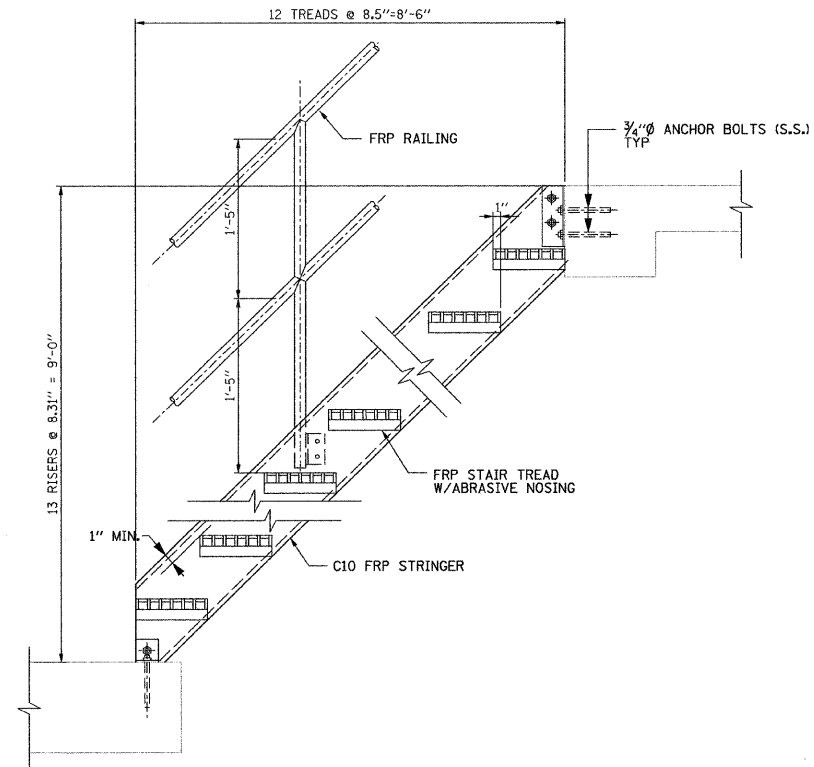


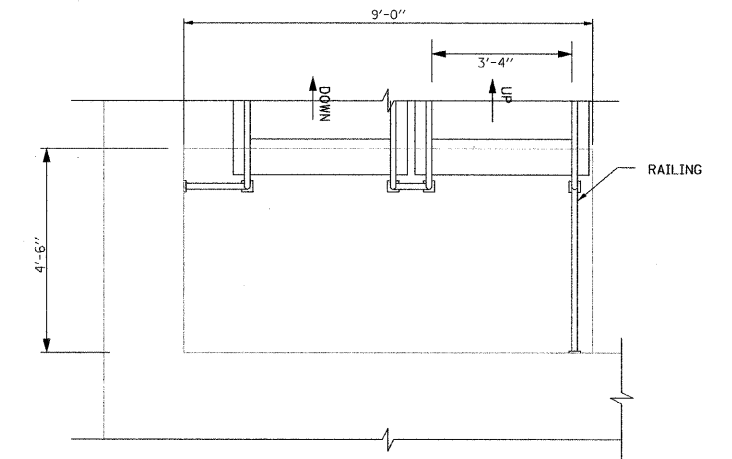
STAIR ELEVATION



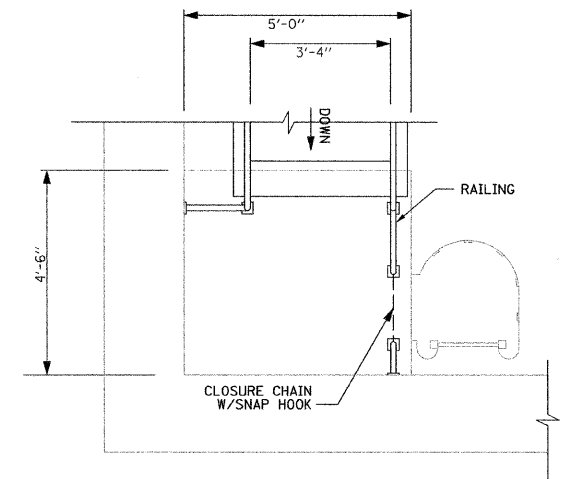
SECTION



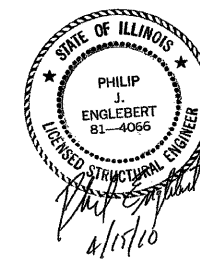
TYPICAL STAIR DETAIL



INTERMEDIATE LANDING DETAIL



BOTTOM LANDING DETAIL



SCALE: 0 4 8 12

REVISIONS	
NAME	DATE

S4

ILLINOIS DEPARTMENT OF TRANSPORTATION

PUMP STATION NO. 27
REHABILITATION

STRUCTURAL DETAILS

SCALE: AS SHOWN

DATE: 04-23-10

DRAWN BY: CM

CHECKED BY: FL