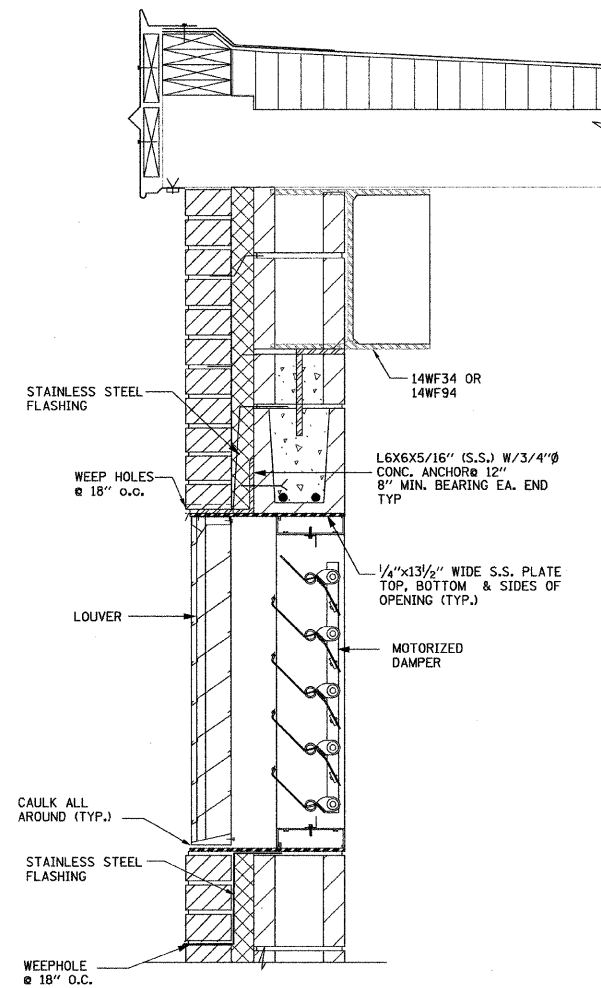
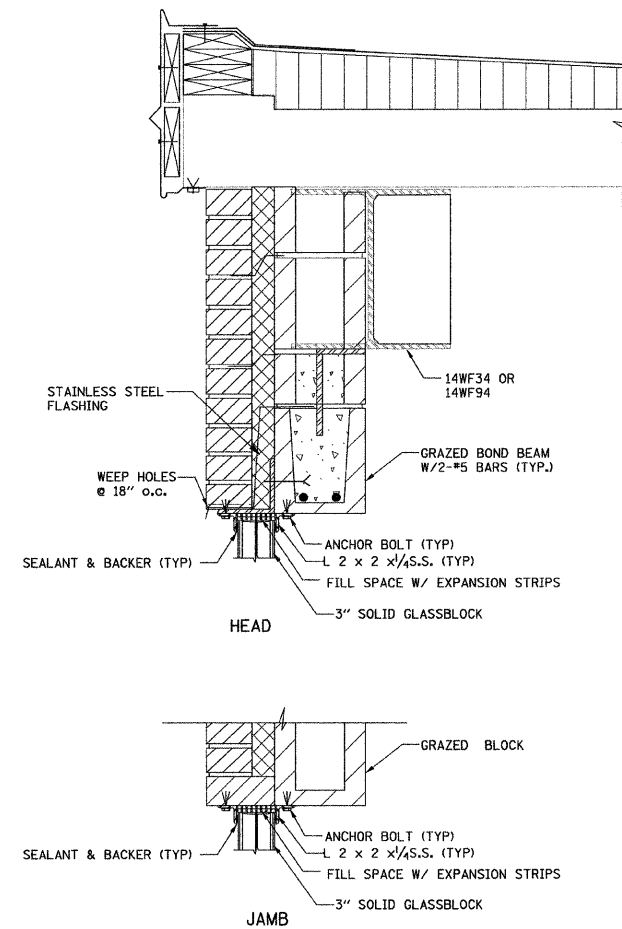


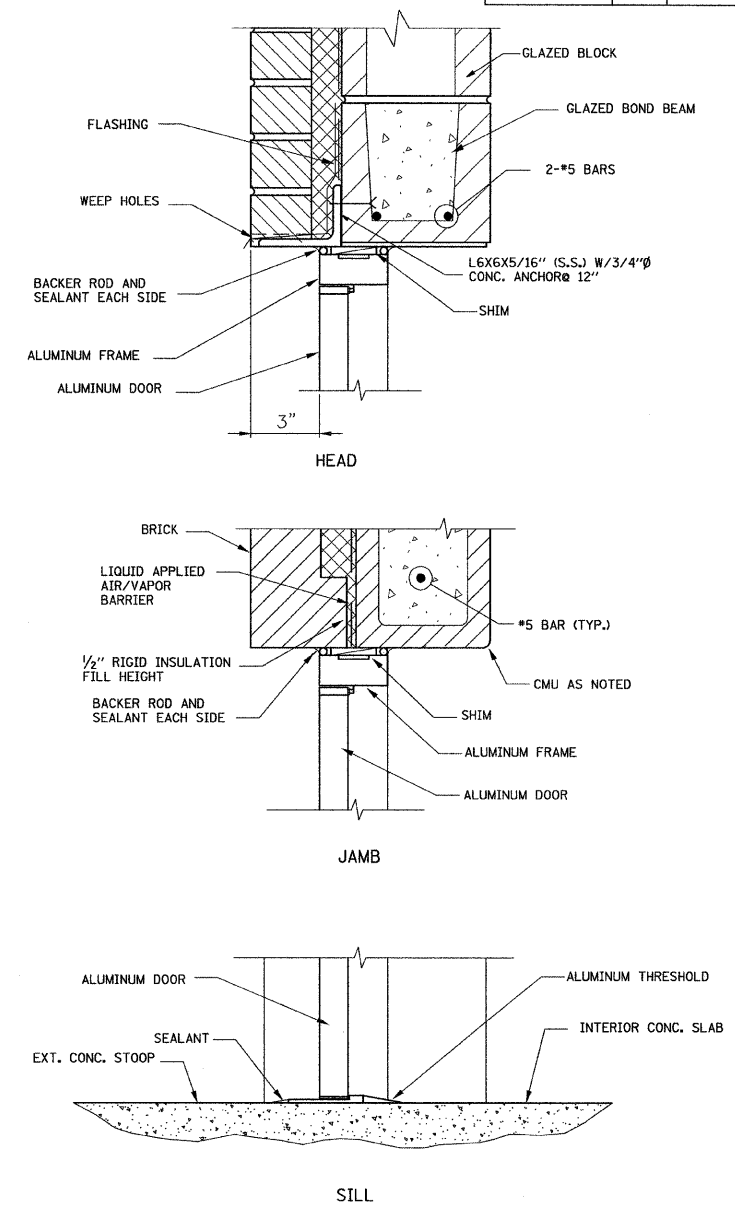
**TYPICAL WALL SECTION**  
N.T.S.



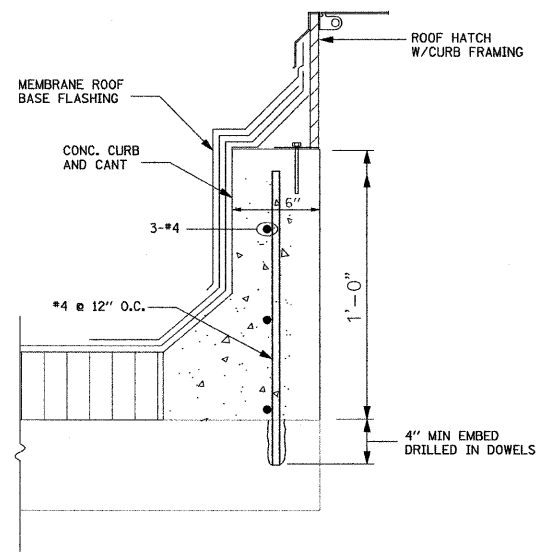
**LOUVER DETAILS**  
N.T.S.



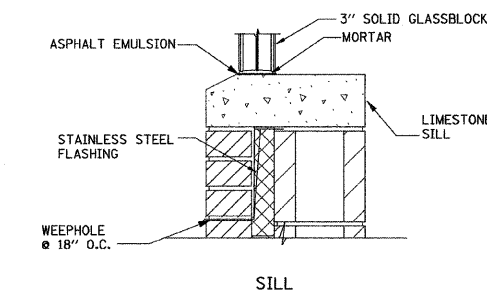
**GLASS BLOCK WINDOW DETAILS**  
N.T.S.



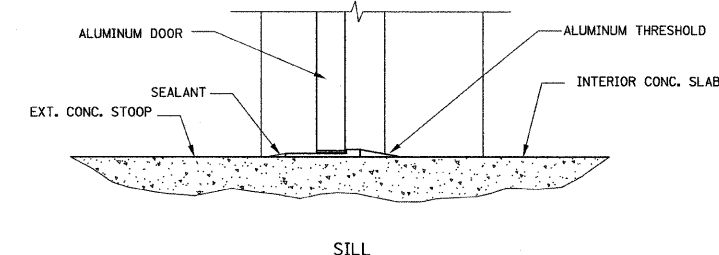
**DOOR DETAILS**  
N.T.S.



**ROOF HATCH DETAILS**  
N.T.S.



**ANCHOR /STIFFENER PLATE DETAIL**  
N.T.S.



A4

REVISIONS	
NAME	DATE

ILLINOIS DEPARTMENT OF TRANSPORTATION  
**PUMP STATION NO. 27  
 REHABILITATION**  
**ARCHITECTURAL DETAILS**  
 SCALE: AS SHOWN  
 DATE: 04-23-10  
 DRAWN BY: LMJ  
 CHECKED BY: PJE