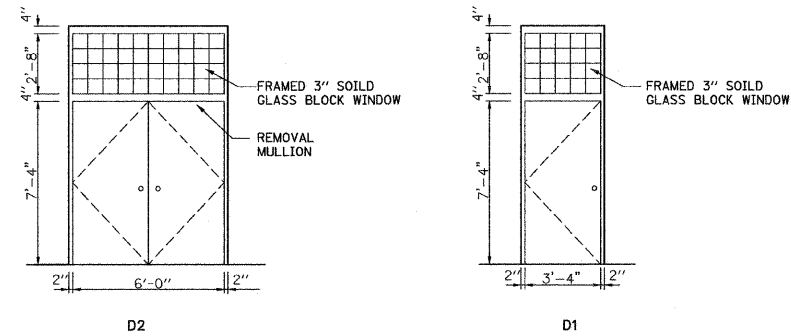
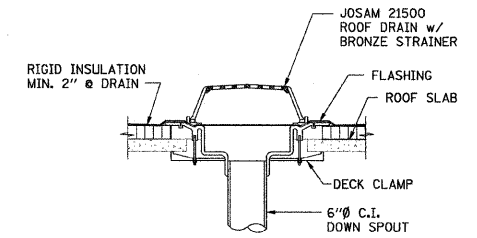


ROOM REFINISH SCHEDULE									
ROOM NAME	FLOOR			WALLS		CEILING			REMARKS
	MAT'L	FINISH	COLOR	MAT'L	COLOR	MAT'L	FINISH	COLOR	
ELECTRICAL CONTROL ROOM	CONC	NON-SLIP EPOXY COATING	GRAY	GLAZED BLOCK	MATCH WITH EXIT. PUMP STA. WALL	CONC	COAT	WHITE	COAT EXIST. STEEL FRAMING W/WHITE FINISH
PUMP ROOM	CONC	NON-SLIP EPOXY COATING	GRAY	GLAZED BLOCK	—	CONC	—	—	COAT PUMP SUPPORT STRUCTURAL STEEL W/WHITE FINISH
PUMP ROOM STAIR LANDINGS	CONC	NON-SLIP EPOXY COATING	GRAY	CONC	—	CONC	—	—	

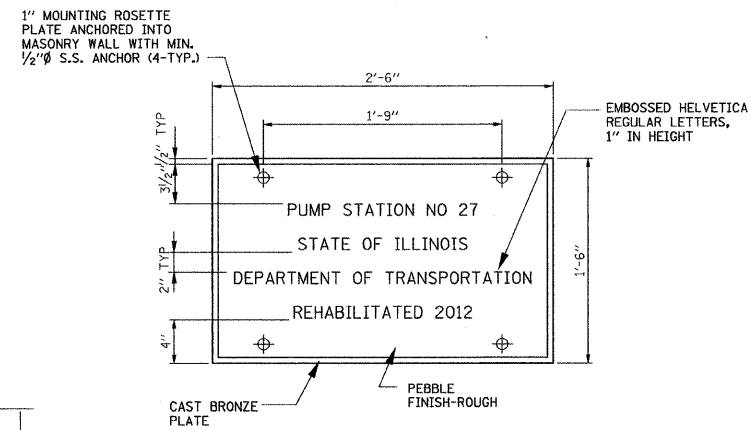


DOOR TYPE

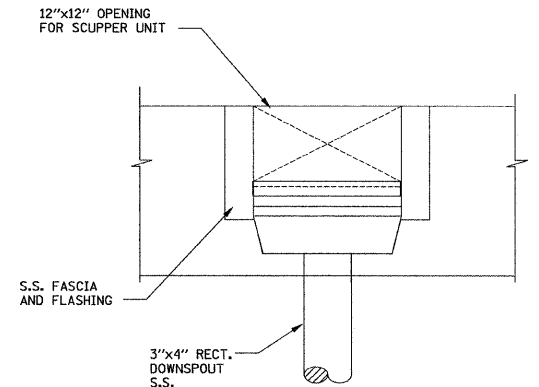


ROOF DRAIN DETAIL
NOT TO SCALE

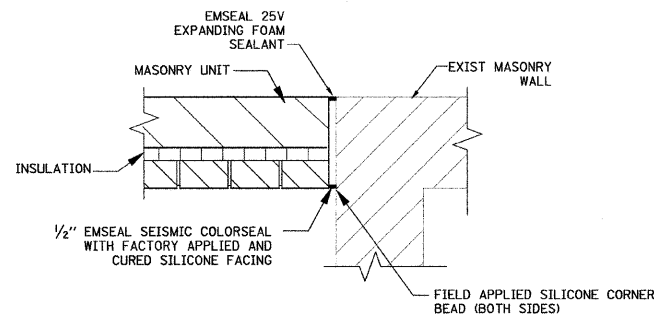
DOOR SCHEDULE							
DOOR NO.	LOCATION	DOOR			FRAME		HARDWARE
		SIZE WIDTH X HEIGHT X THK	MATERIAL	FINISH	MATERIAL	FINISH	
D1	ELEC CONTROL RM	3'-4" x 7'-4" x 1-3/4"	ALUMIMUM	ANODIZED DARK BRONZE	ALUMIMUM	ANODIZED DARK BRONZE	SEE SPECIFICATION
D2	ELEC CONTROL RM	(2) 3'-0" x 7'-4" x 1-3/4"	ALUMIMUM	ANODIZED DARK BRONZE	ALUMIMUM	ANODIZED DARK BRONZE	SEE SPECIFICATION



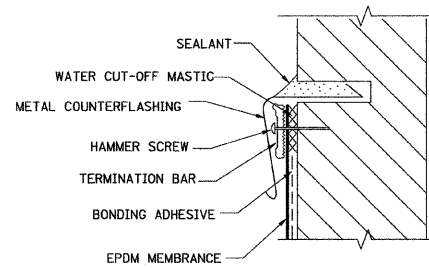
IDENTIFICATION PLATE
NO SCALE



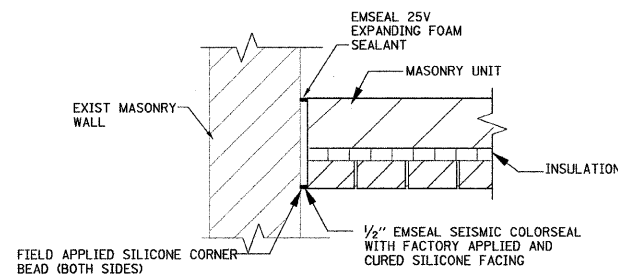
SCUPPER DETAILS
N.T.S



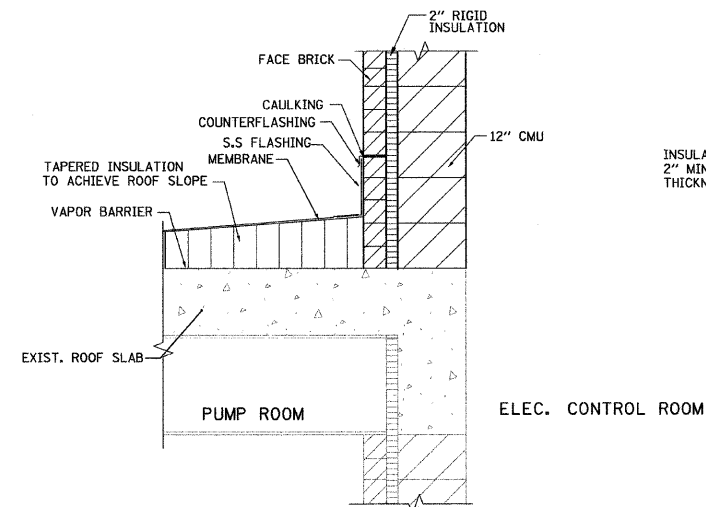
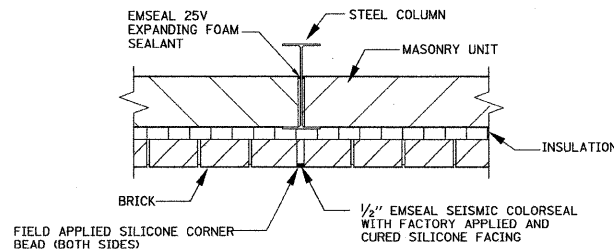
EXIST /NEW MASONRY WALL
CONNECTION JOINT DETAIL



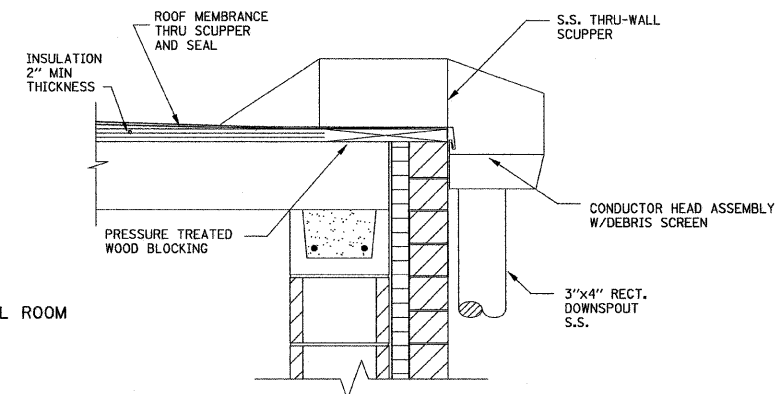
COUNTERFLASHING DETAIL



MASONRY WALL
CONTROL JOINT DETAIL



LOW ROOF TO WALL
INTERSECTION DETAIL



NOTE:

1. ALL LOUVERS AND DAMPERS TO BE CLEAR ANODIZED ALUMINUM FINISH TO MATCH COLOR OF ALUMINUM DOORS & FRAMES.
2. WALL EXHAUST FAN TO BE CLEAR ANODIZED ALUMINUM FINISH.

A5

REVISIONS	
NAME	DATE

ILLINOIS DEPARTMENT OF TRANSPORTATION
PUMP STATION NO. 27
REHABILITATION
ARCHITECTURAL
SCHEDULES AND DETAILS

SCALE: AS SHOWN

DRAWN BY: CTM

DATE: 04-23-10

CHECKED BY: PJE