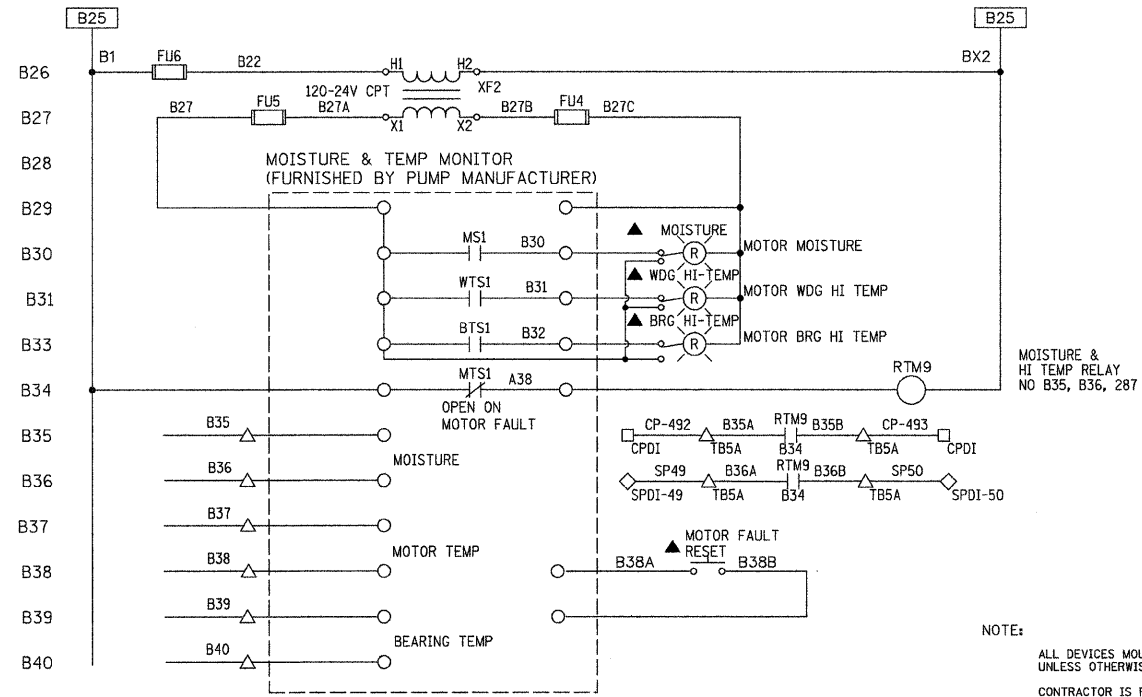


- LEGEND**
- △ TERMINAL IN MOTOR STARTER
 - TERMINAL IN CONTROL PANEL
 - ◇ TERMINAL IN SCADA PANEL
 - ▲ DEVICE LOCATED ON STARTER DOOR
 - DEVICE LOCALLY MTD
 - DEVICE IN CONTROL PANEL
 - ◆ DEVICE IN SCADA PANEL

NOTE: ALL DEVICES MOUNTED IN MOTOR STARTER UNLESS OTHERWISE NOTED



NOTE: ALL DEVICES MOUNTED IN MOTOR STARTER UNLESS OTHERWISE NOTED
CONTRACTOR IS RESPONSIBLE FOR INSTALLING MOISTURE/TEMPERATURE MONITOR IN STARTERS

EXIST LOW FLOW PUMP NO. 9
(TYP FOR LOW FLOW PUMP NO. 10)

LINE NUMBER & WIRE NUMBER PREFIX		
EQUIPMENT	PREFIX SHOWN ON DRAWING	PREFIX TO BE ASSIGNED
LOW FLOW PUMP 9	B	M5A
LOW FLOW PUMP 10	B	M6A



E8

REVISIONS	
NAME	DATE

ILLINOIS DEPARTMENT OF TRANSPORTATION

PUMP STATION NO. 27
REHABILITATION

LOW FLOW PUMP
CONTROL SCHEMATIC

SCALE: N/A DRAWN BY: MS
DATE: 04-23-10 CHECKED BY: MS