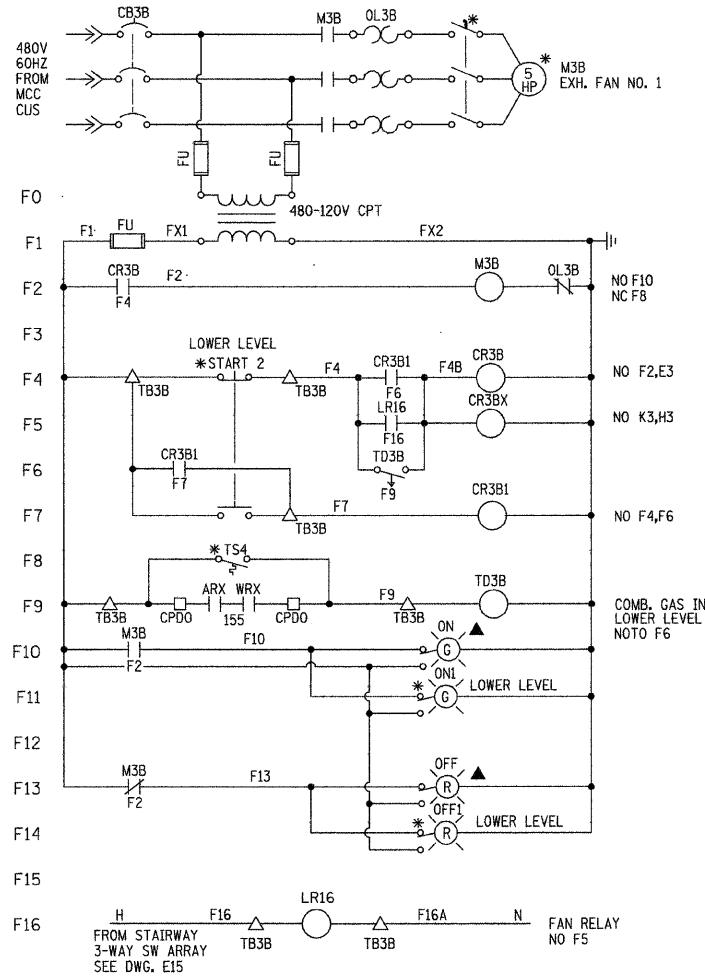
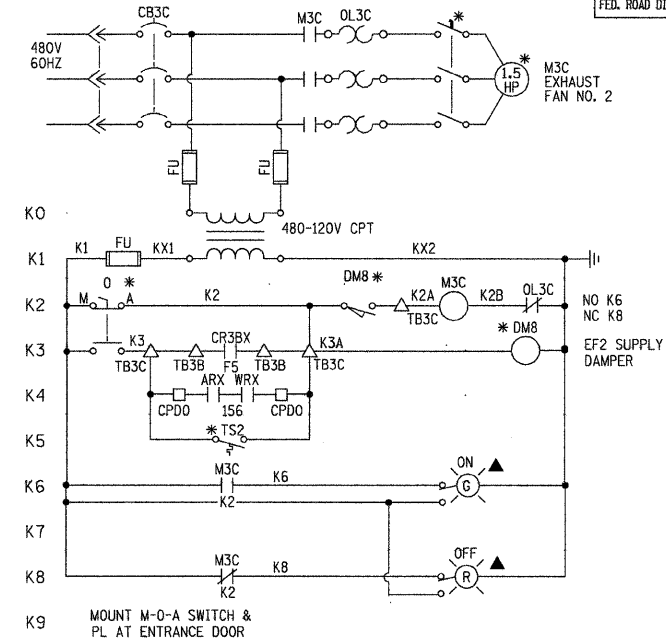


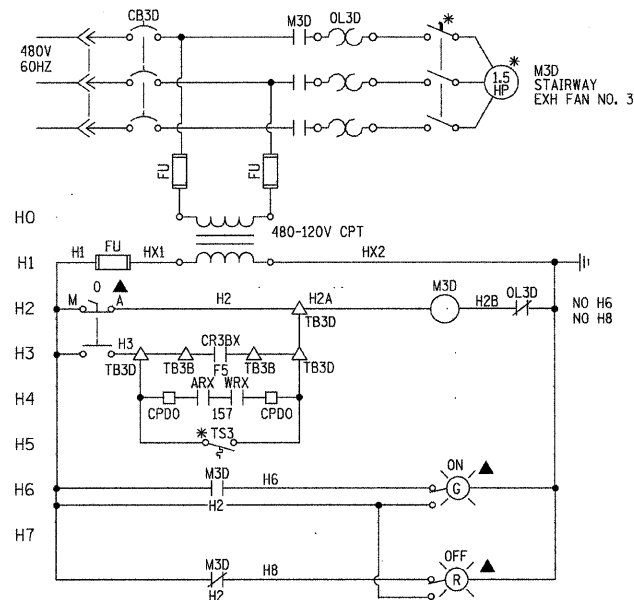
LOWER LEVEL SUPPLY FAN SF1



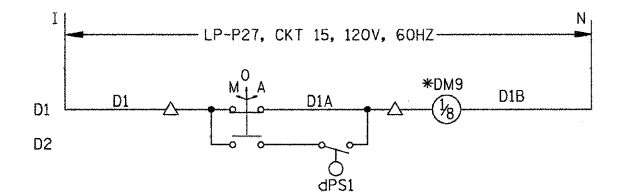
LOWER LEVEL EXHAUST FAN EF1



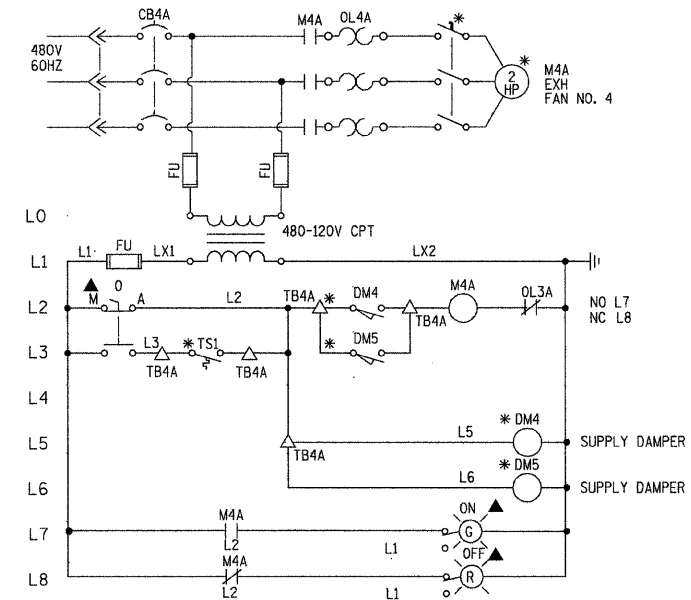
PUMP ROOM EXH FAN EF2



STAIRWAY EXHAUST FAN EF3



PUMP ROOM SUPPLY DAMPER DM9



ELECTRICAL ROOM EXH FAN EF4

LINE NUMBER & WIRE NUMBER PREFIX		
EQUIPMENT	PREFIX SHOWN ON DRAWING	PREFIX TO BE ASSIGNED
SUPPLY FAN SF1	E	M3A
EXHAUST FAN EF1	F	M3C
EXHAUST FAN EF2	E	M3C
EXHAUST FAN EF3	H	M3D
EXHAUST FAN EF4	L	M4A

- LEGEND:**
- △ : TERMINAL LOCATED IN MOTOR STARTER
 - : TERMINAL LOCATED IN CONTROL PANEL
 - ◇ : TERMINAL LOCATED IN SCADA PANEL
 - ▲ : DEVICE LOCATED ON MOTOR STARTER DOOR

GENERAL NOTE:

SEE DRAWING M8 FOR HVAC SCHEDULES AND OPERATING SEQUENCES.

* : LOCALLY MOUNTED
ALL DEVICES MOUNTED AT MOTOR STARTER UNLESS OTHERWISE NOTED



E13

REVISIONS	
NAME	DATE

ILLINOIS DEPARTMENT OF TRANSPORTATION

PUMP STATION NO. 27
REHABILITATION
MISCELLANEOUS
CONTROL SCHEMATICS

SCALE: N/A
DATE: 04-23-10

DRAWN BY: LMJ
CHECKED BY: KCC