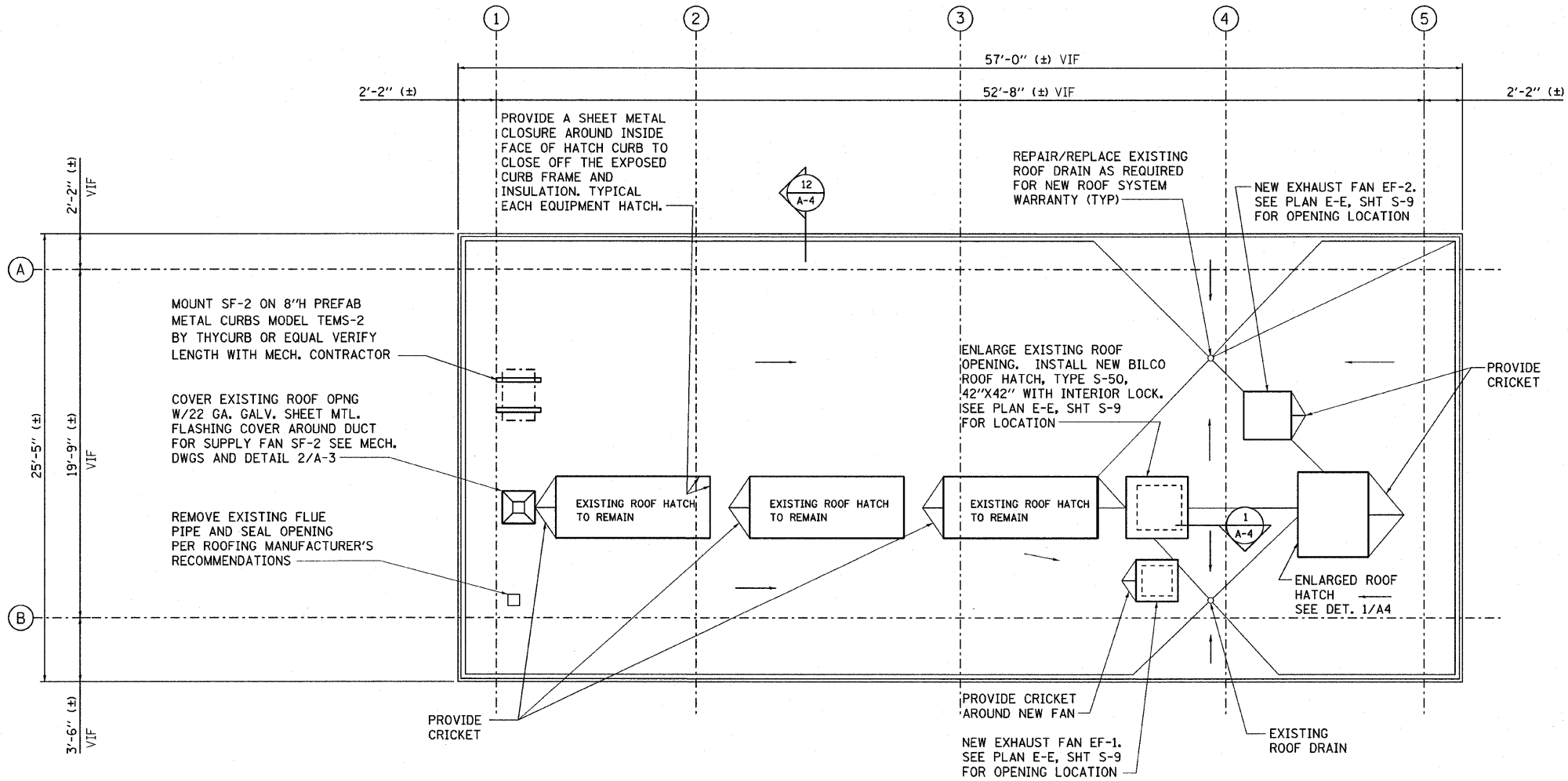
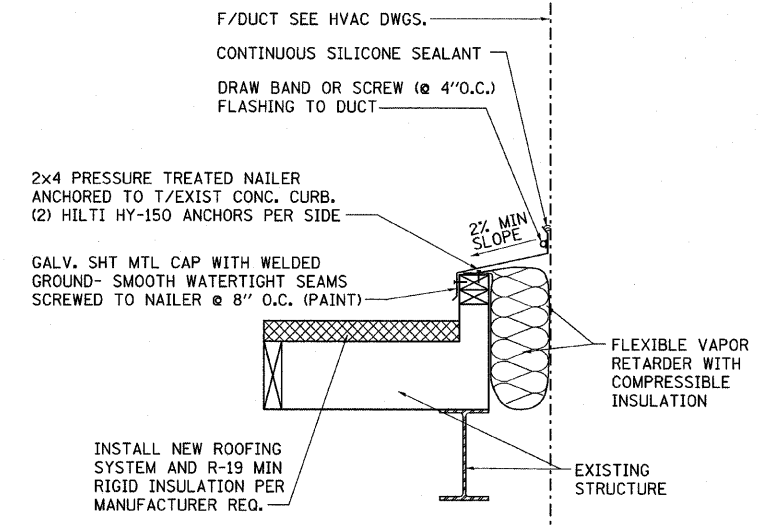


F.A.P. RTE.	SECTION	COUNTY	TOTAL SHEETS	SHEET NO.
90/94	1999-161-1	COOK	75	17
STA.		TO STA.		
FED. ROAD DIST. NO.	ILLINOIS	FED. AID PROJECT		
D-91-411-99				



ROOF PLAN
SCALE: 1/4" = 1'-0"

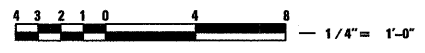


2
A-3
DETAIL
NO SCALE

ROOFING CONTRACTOR NOTES:

1. DUE TO THE EXTENT OF NEW ROOF PENETRATIONS REPLACE EXISTING ROOFING WITH NEW SBS MODIFIED BITUMEN ROOFING. REMOVE EXISTING ROOFING SYSTEM DOWN TO EXISTING LT. WEIGHT CONCRETE. INSTALL PER MANUFACTURER REQ.
2. ROOFING SYSTEM MANUFACTURER PROVIDING FACTORY WARRANTY SHALL REVIEW PROPOSED INSTALLATION DETAILS & CERTIFY THAT THEY COMPLY WITH WARRANTY REQ.
3. NOTE: SLOPES SHOWN ARE FOR EXISTING ROOF SYSTEM. NEW SLOPE SHALL BE 1/8"/FT. MIN. TO THE 2 EXISTING ROOF DRAINS UTILIZING TAPERED RIGID INSULATION AND 4'-0" DIA SUMPS AT EACH DRAIN.
4. EXISTING PERIMETER ROOF CURB BLOCKING AND FLASHING SHALL BE MODIFIED OR REPLACED AS REQUIRED TO PROVIDE THE REQUIRED DRAINAGE SLOPES WITHOUT PROTRUDING ABOVE THE PERIMETER EDGE FLASHING. SEE DETAIL 12/A-5.

PLOT DATE = 3/22/2010
FILE NAME = D:\60828-ah-A-03.dgn
PLOT SCALE = 1/4"
USER NAME = MUSENY



REVISIONS	
NAME	DATE

ILLINOIS DEPARTMENT OF TRANSPORTATION

ARCHITECTURAL ROOF PLAN

SCALE: VERT. AS NOTED
HORIZ. DATE: 3/23/2010

DRAWN BY: A.T.
CHECKED BY: D.L.