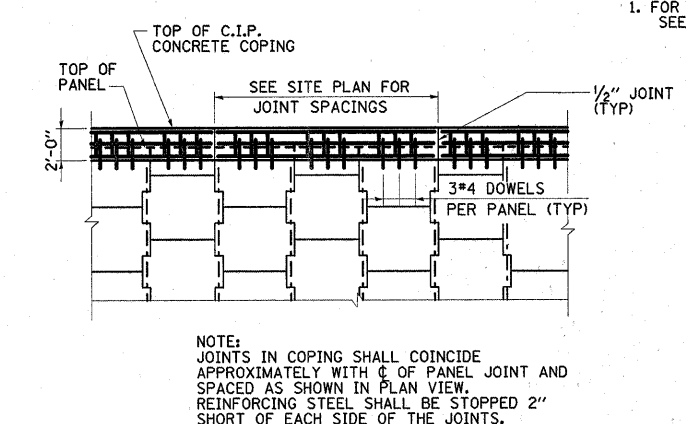
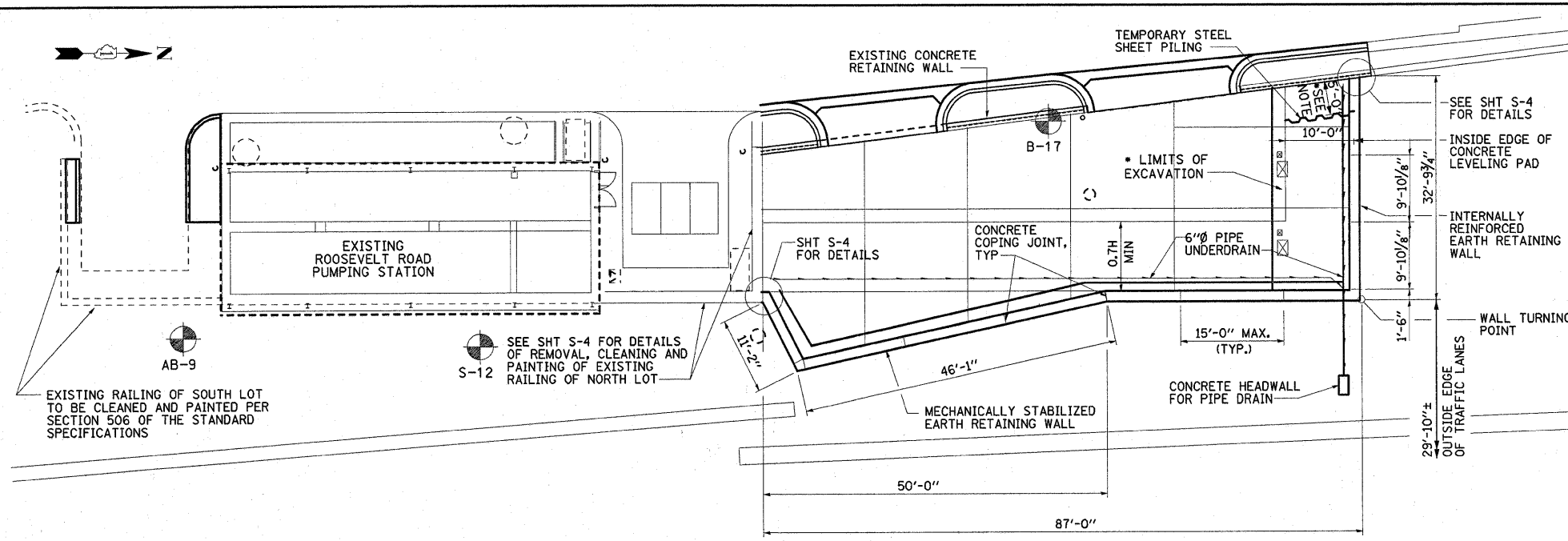


F.A.P. RTE.	SECTION	COUNTY	TOTAL SHEETS	SHEET NO.
90/94	1999-161-1	COOK	75	22

STA. TO STA.  
 FED. ROAD DIST. NO. ILLINOIS FED. AID PROJECT  
 D-91-411-99

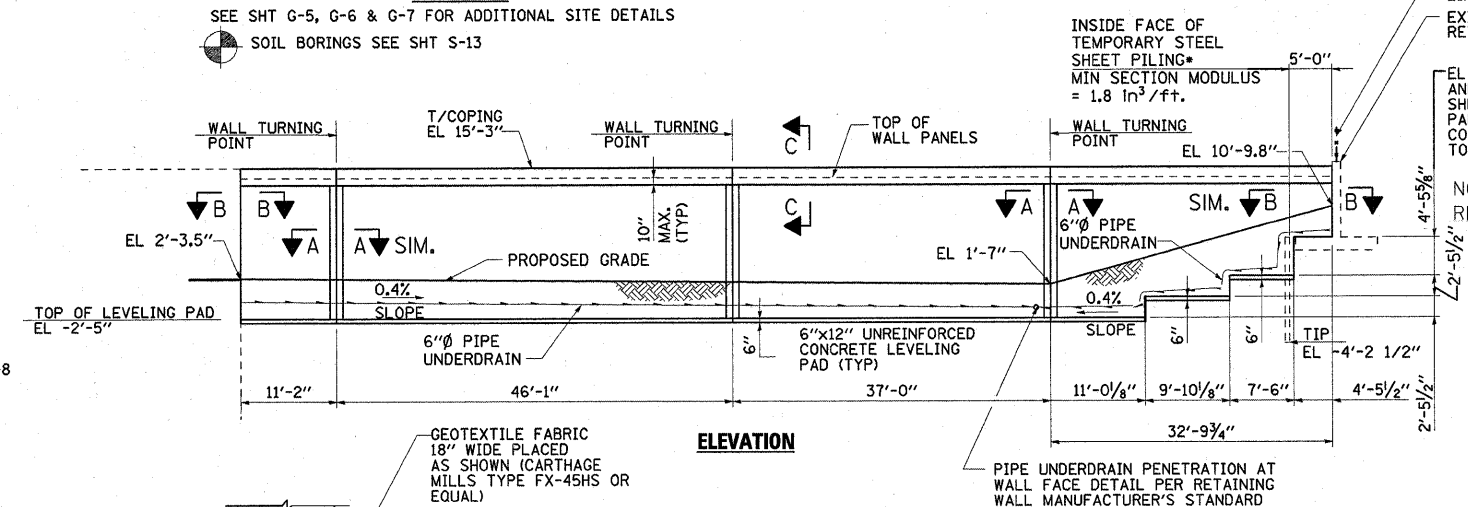
**GENERAL NOTES:**  
 1. FOR STRUCTURAL GENERAL NOTES SEE DWG. S-1 AND S-2.



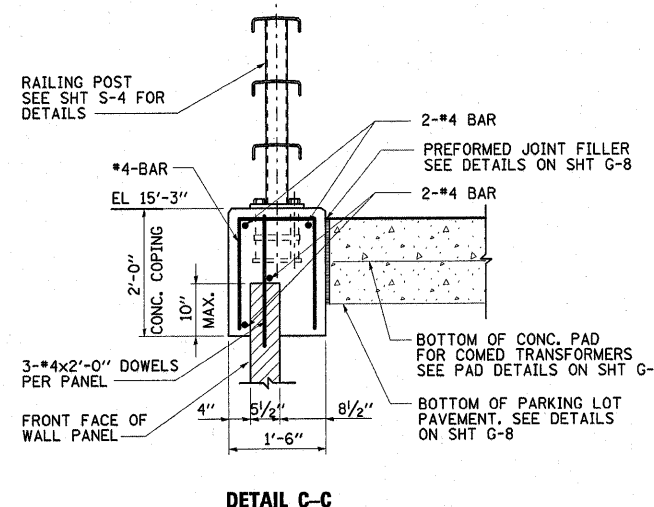
NOTE: JOINTS IN COPING SHALL COINCIDE APPROXIMATELY WITH C OF PANEL JOINT AND SPACED AS SHOWN IN PLAN VIEW. REINFORCING STEEL SHALL BE STOPPED 2" SHORT OF EACH SIDE OF THE JOINTS.

**PARTIAL ELEVATION**

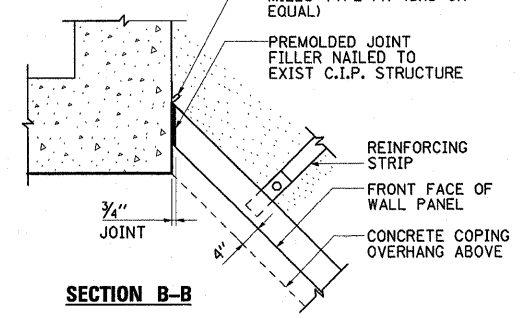
**SITE PLAN**  
 SEE SHT G-5, G-6 & G-7 FOR ADDITIONAL SITE DETAILS  
 SOIL BORINGS SEE SHT S-13



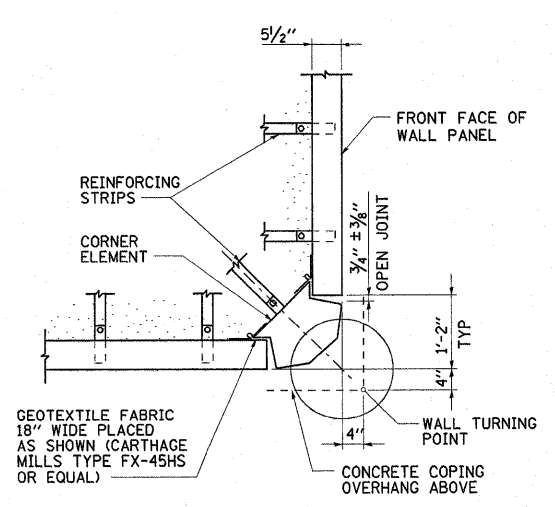
**ELEVATION**



**DETAIL C-C**



**SECTION B-B**



**SECTION A-A**

ESTIMATE OF QUANTITIES	
INTERNALLY REINFORCED EARTH RETAINING WALL	1,315 SQ.FT
** CONCRETE COPING	119.8 FT.
CONCRETE HEADWALLS FOR PIPE DRAINS	1 EA.
TEMPORARY SHEET PILING	112 SQ.FT.
CLEANING AND PAINTING EXISTING STEEL RAILING	1 L.SUM
FURNISHING AND ERECTING STEEL RAILING	119.8 FT.
STEEL RAILING REMOVAL	23 FT.
PIPE UNDERDRAINS FOR STRUCTURES 6"	126 FT.
PIPE UNDERDRAIN 6" (SPECIAL)	12 FT.

\*\*COST INCLUDED WITH MECHANICALLY STABILIZED EARTH RETAINING WALLS

PUMP STATION TRUCK LOT AND TRANSFORMER PAD WORK (MECHANICALLY STABILIZED EARTH RETAINING WALL CONSTRUCTION) WILL BE PERFORMED AS A SEPARATE CONTRACT.  
 THE CONTRACTOR SHALL COORDINATE HIS/HER WORK WITH THE PUMP STATION TRUCK LOT AND TRANSFORMER PAD CONTRACTOR IN ACCORDANCE WITH ARTICLE 105.08 OF THE STANDARD SPECIFICATIONS AND AS DIRECTED BY THE ENGINEER.

NOTE: ALL REFERENCES TO "INTERNALLY REINFORCED EARTH RETAINING WALLS" ARE REFERRING TO "MECHANICALLY STABILIZED EARTH RETAINING WALLS."

**NOTES:**  
 \* GROUND IN FRONT OF EXISTING CONCRETE RETAINING WALL IS TO BE EXCAVATED TO THE TOP OF RETAINING WALL FOOTING AT EL 6.98 BEFORE DRIVING TEMPORARY STEEL SHEET PILING AS SHOWN. TEMPORARY STEEL SHEET PILING SHALL BE PERMANENTLY LEFT IN PLACE.

THE CONTRACTOR SHALL PROVIDE COMPLETE DESIGN, PLANS, DETAILS, SPECIFICATIONS AND SHOP DRAWINGS FOR THE MECHANICALLY STABILIZED EARTH RETAINING WALLS IN ACCORDANCE WITH THE SPECIAL PROVISIONS. THE RETAINING WALL MANUFACTURER SHALL PROVIDE TECHNICAL ASSISTANCE TO THE CONTRACTOR DURING CONSTRUCTION. THE COST OF FURNISHING THESE ITEMS SHALL BE INCLUDED IN THE BID ITEM "INTERNALLY REINFORCED EARTH RETAINING WALLS."

PLAN, ELEVATIONS AND DETAILS SHOWN ON THESE DRAWINGS ARE INTENDED TO INDICATE WALL LOCATIONS, LENGTHS, HEIGHTS AND DETAILS COMMON TO ANY WALL SYSTEM SELECTED. THE CONTRACTOR SHALL VERIFY THAT THE WALL SYSTEM SELECTED WILL CONFORM TO THE REQUIRED ALIGNMENTS AND DETAILS.

THE PRECAST PANEL FINISH TO BE IN ACCORDANCE WITH THE SPECIAL PROVISIONS.

IF THE CONTRACTOR CHOOSES TO ALTER THE TEMPORARY CANTILEVERED SHEET PILING DESIGN REQUIREMENTS SHOWN ON THE PLANS, A DESIGN SUBMITTAL INCLUDING PLAN DETAILS AND CALCULATIONS WILL BE REQUIRED FOR REVIEW AND ACCEPTANCE BY THE ENGINEER.

**ULTIMATE DESIGN STRESSES:**

PRECAST CONCRETE PANELS, RETAINING WALLS.....f'c = 3,500 p.s.i.  
 YIELD STRENGTH STEEL REINFORCEMENT.....fy = 60,000 p.s.i.

REVISIONS	
NAME	DATE

ILLINOIS DEPARTMENT OF TRANSPORTATION  
**STRUCTURAL SITE PLAN**

SCALE: VERT. NO SCALE  
 HORIZ. DATE: 3/2/2010  
 DRAWN BY: A.T.  
 CHECKED BY: A.M.

DATE: 3/2/2010  
 FILE NAME: S-22.DWG  
 PLOT SCALE: 1/8"=1'-0"  
 USER: JWB