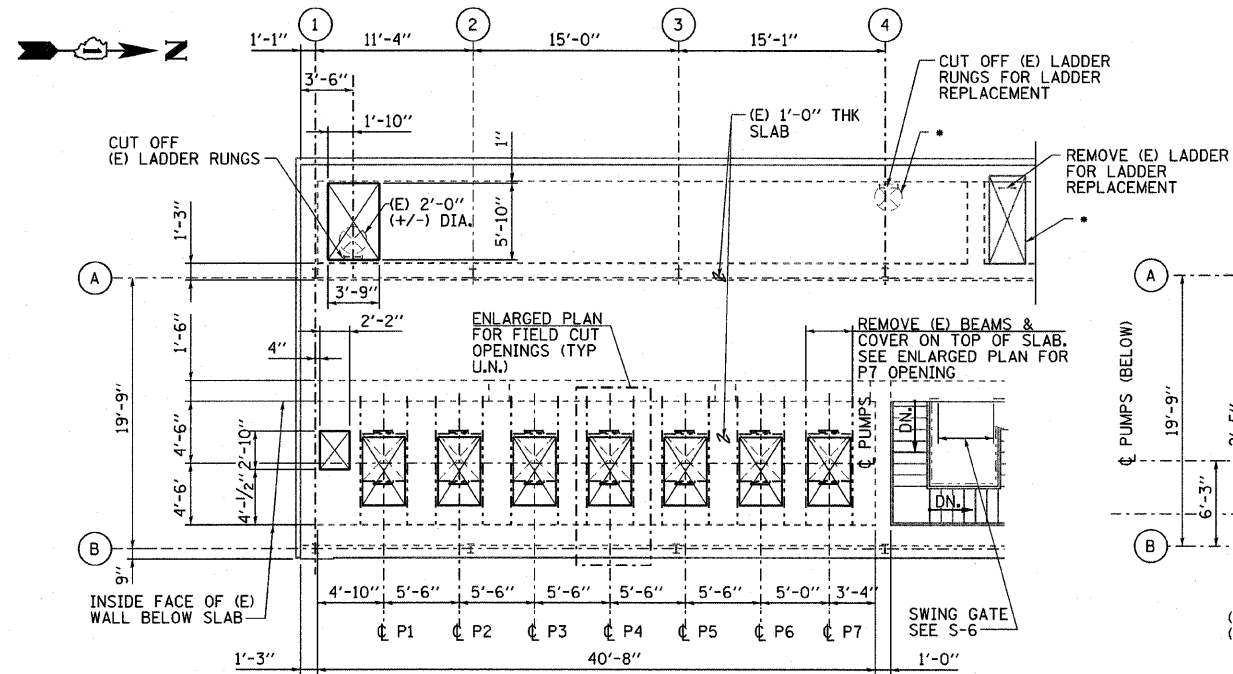


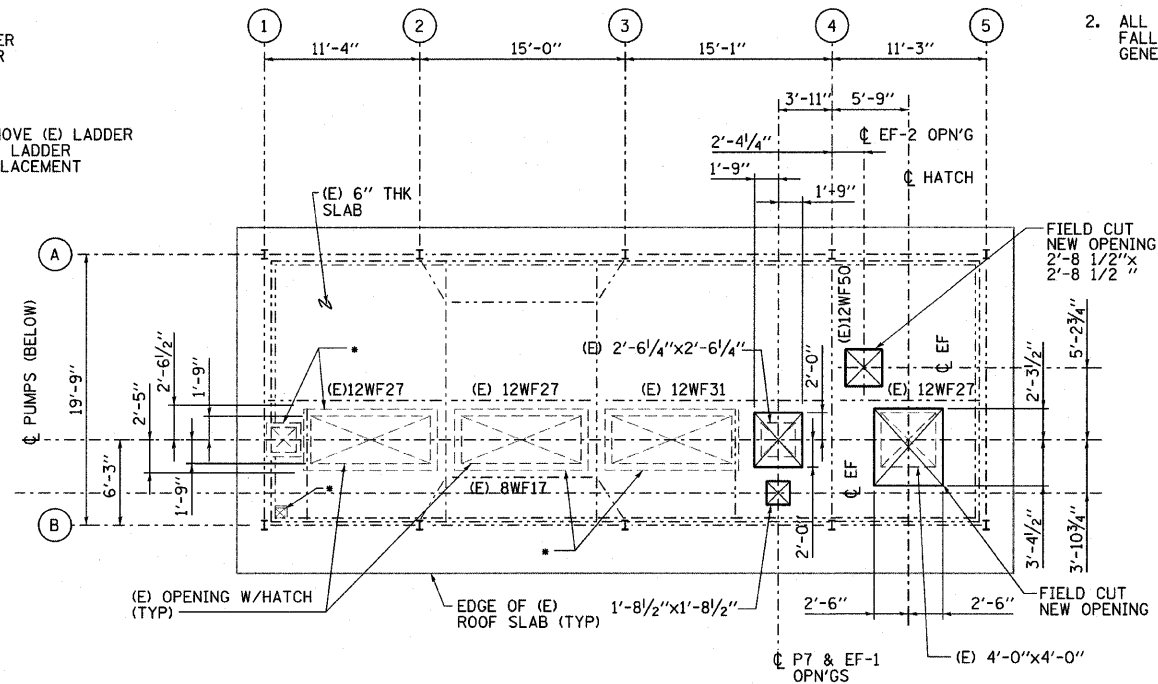
F.A.P. RTE.	SECTION	COUNTY	TOTAL SHEETS	SHEET NO.
90/94	1999-161-1	COOK	75	30
STA.		TO STA.		
FED. ROAD DIST. NO.		ILLINOIS FED. AID PROJECT		
D-91-411-99				

GENERAL NOTES:

- FOR STRUCTURAL GENERAL NOTES SEE DWG. S-1 AND S-2.
- ALL WORK ON THIS DRAWING SHALL FALL UNDER PAY ITEM "PUMP STATION GENERAL WORK".

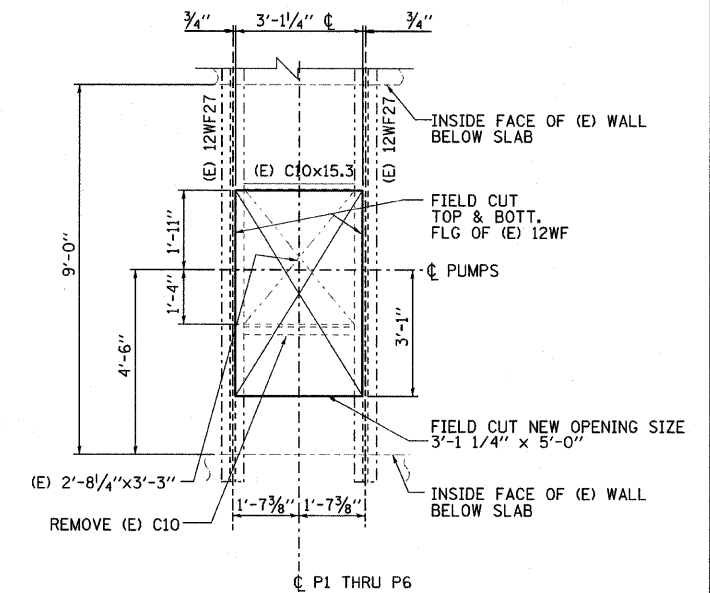


SLAB OPENING(S) MODIFICATION PLAN AT EL.+15'-3" TCONC AND STEEL

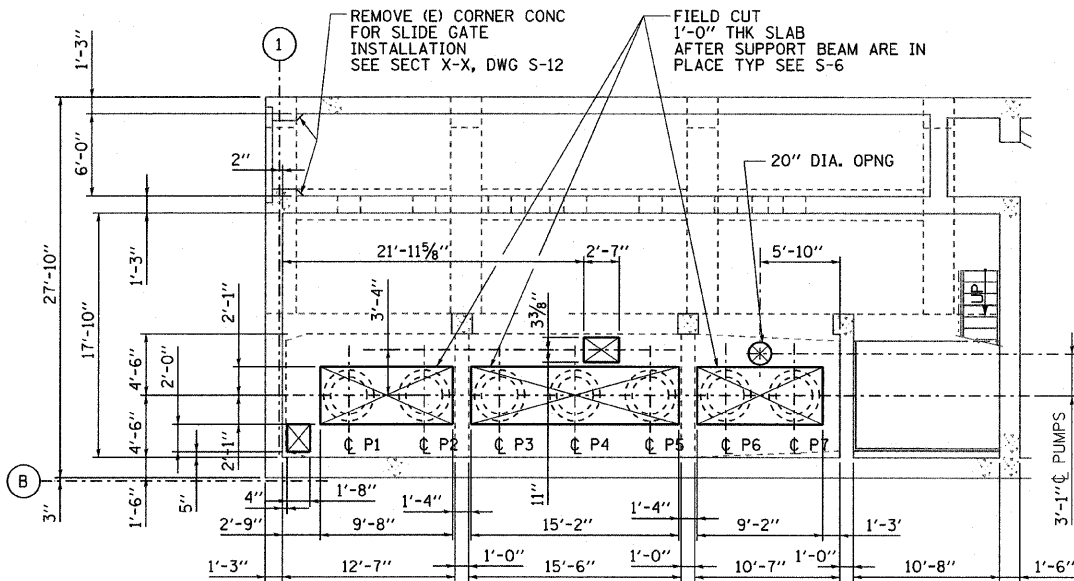


SLAB OPENING(S) MODIFICATION PLAN AT EL.+25'-4" TSTEEL

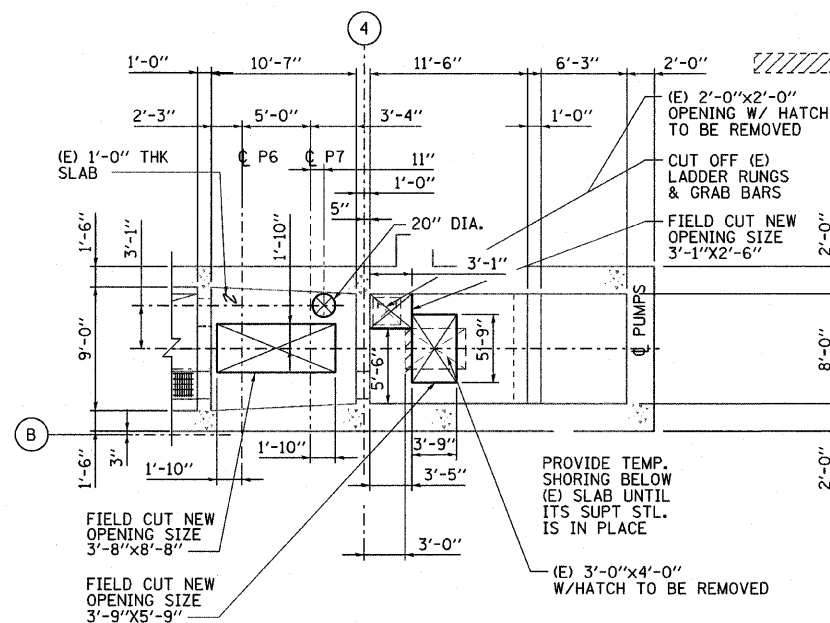
(SQUARE OPNG'S ARE SYM. ABOUT C) VERIFY EF-1 & EF-2 OPENING SIZES WITH AS PURCHASED MECH. EQUIPMENT



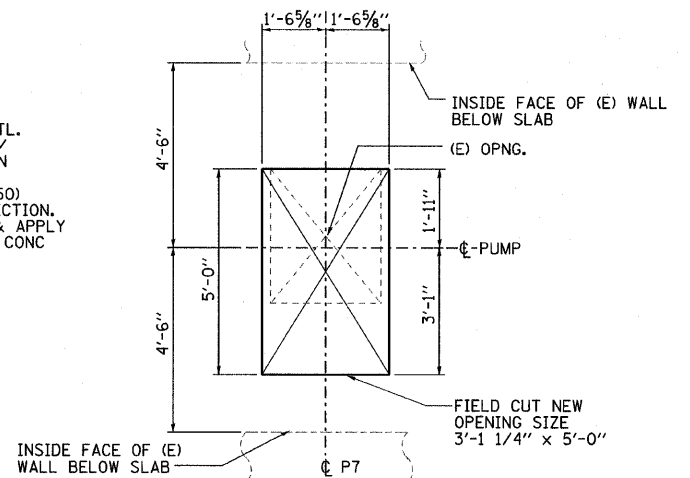
ENLARGED PLAN AT EL.+15'-3" P1 THRU P6



SLAB OPENING(S) MODIFICATION PLAN AT EL.-2'-9" TCONC FLOOR



SLAB OPENING(S) MODIFICATION PLAN AT EL.-20'-9"



ENLARGED PLAN AT EL.+15'-3" P7

SYMBOL:

- OR DENOTES (E) OPENING WITH OR WITHOUT HATCH
- OR DENOTES NEW FIELD CUT OPENING
- DENOTES (E) OPENING WITH OR WITHOUT CURB TO REMAIN AS IS

PLOT DATE = 3/22/2010
 FILE NAME = D:\60828-NY-S-11.dgn
 PLOT SCALE = 1:2
 USER NAME = #0828



REVISIONS	
NAME	DATE

ILLINOIS DEPARTMENT OF TRANSPORTATION
STRUCTURAL OPENING MODIFICATION PLANS
EXISTING ROOF & FLOOR SLABS
 SCALE: VERT. NO SCALE
 HORIZ. NO SCALE
 DATE: 3/23/2010
 DRAWN BY: A.T.
 CHECKED BY: A.N.