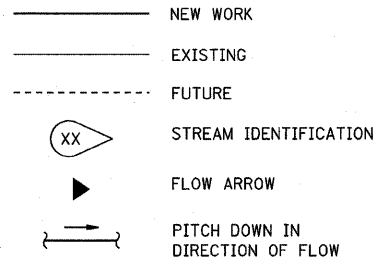


F.A.P. RTE.	SECTION	COUNTY	TOTAL SHEETS	SHEET NO.
90/94	1999-161-1	COOK	75	33
STA.	TO STA.			
FED. ROAD DIST. NO.		ILLINOIS FED. AID PROJECT		
0-91-411-99				

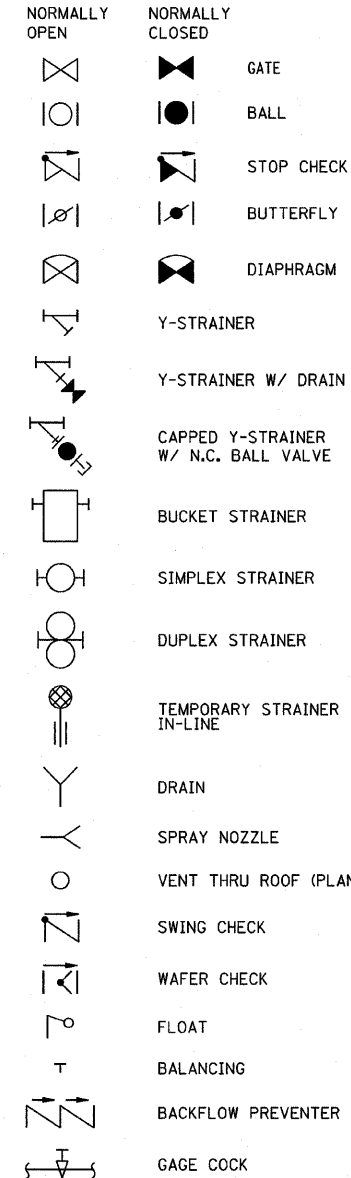
GENERAL NOTES

- ALL SYMBOLS AND ABBREVIATIONS SHOWN ON THIS LEGEND MAY NOT APPEAR ON THIS SET OF DRAWINGS.
- ARE GENERALLY DIAGRAMMATIC. ROUTING OF PIPING, DUCTWORK, CONDUITS, RACEWAYS, ETC. AS SHOWN ON DRAWINGS, DOES NOT INTEND TO SHOW EVERY RISE, DROP, OFFSET, FITTING NOR EVERY STRUCTURAL ELEMENT THAT MAY BE ENCOUNTERED DURING THE INSTALLATION OF THIS WORK. EACH CONTRACTOR SHALL MAKE ANY REQUIRED CHANGES FROM THE GENERAL ROUTING SHOWN ON THESE DRAWINGS, SUCH AS OFFSETS, BENDS OR CHANGES IN ELEVATION DUE TO COORDINATION WITH THE WORK OF OTHER TRADES AND BUILDING CONSTRUCTION. ALL CHANGES SHALL BE MADE WITHOUT ADDITIONAL COST TO THE OWNER OR DELAY IN COMPLETION DATE OF THE PROJECT.
- WHERE THERE IS EVIDENCE THAT WORK OF ONE TRADE WILL INTERFERE WITH WORK OF OTHER TRADES, ALL TRADES SHALL MEET ON JOB SITE TO WORK OUT SPACE CONDITIONS AND MAKE SATISFACTORY ADJUSTMENTS TO INSTALLATION OF THE NEW WORK. VERIFY EXACT LOCATIONS OF ALL DEVICES AND EQUIPMENT WITH FIELD CONDITIONS, SHOP DRAWINGS, AND WORK OF OTHER TRADES PRIOR TO ROUGH-IN. TRADES SHALL BE RESPONSIBLE, AT THEIR OWN EXPENSE, FOR THE REMOVAL AND REINSTALLATION OF ANY PART OF THEIR WORK IF SAME WAS INSTALLED WITHOUT CONSULTING WITH OTHER TRADES BEFORE INSTALLING THEIR WORK.
- PROVIDE SLEEVES FOR OPENINGS IN BEAMS, FLOORS, COLUMNS AND WALLS AS SHOWN ON THE DRAWINGS, AS REQUIRED BY JOB SITE CONDITIONS, AND/OR AS SPECIFIED, WHEN INSTALLING THEIR WORK. ALL BEAMS AND COLUMNS WHICH ARE REQUIRED TO BE SLEEVED SHALL BE CUT AND REINFORCED AS REQUIRED BY FIELD CONDITIONS AND LOCATIONS AND SIZES SHALL BE CHECKED AND APPROVED BY ENGINEER BEFORE CONTRACTOR CUTS ANY STRUCTURAL BUILDING MEMBER.
- THE SEQUENCE FOR THE INSTALLATION OF ALL WORK SHALL BE COORDINATED BETWEEN TRADES. THE PROJECT AND IN STRICT ACCORDANCE WITH ARCHITECT/ENGINEER AND OWNERS STIPULATION AS CALLED FOR IN THE SPECIFICATION AND/OR AS DIRECTED.
- CONTRACTOR SHALL BE RESPONSIBLE AND PAY FOR ALL CORING, CUTTING, PATCHING, REPAIRING, REFINISHING AND REMOVAL/REPLACEMENT OF NEW OR EXISTING BUILDING CONSTRUCTION REQUIRED TO ACCOMMODATE THE INSTALLATION OR REMOVAL OF THEIR WORK. ALL PATCHING, REPAIRING AND REFINISHING WORK SHALL BE PERFORMED BY THOSE REGULARLY INVOLVED IN THAT TRADE AND SHALL MATCH THE ADJACENT CONSTRUCTION AS CLOSELY AS POSSIBLE. CARE SHALL BE TAKEN SO AS NOT TO DAMAGE ANY EXISTING BUILDING CONSTRUCTION OR ITEMS THAT ARE TO REMAIN. ANY EXISTING FINISHES THAT ARE DAMAGED DURING THE INSTALLATION OF NEW WORK OR REMOVAL OF EXISTING WORK SHALL BE REPAIRED, REPLACED AND PAID FOR BY THE INSTALLING CONTRACTOR, TO THE SATISFACTION OF THE ENGINEER AND OWNER. REFER TO DRAWINGS FOR EXISTING BUILDING CONSTRUCTION THAT IS TO REMAIN AND, THEREFORE, SUBJECT TO PATCHING, REPAIRING, REFINISHING, AND REMOVAL/REPLACEMENT.
- CONTRACTOR SHALL BE RESPONSIBLE FOR THEIR OWN CLEAN-UP DURING CONSTRUCTION. IF CONTRACTOR FAILS TO PROVIDE SUCH CLEAN-UP, THE ARCHITECT/ENGINEER WILL DIRECT ANOTHER CONTRACTOR TO PERFORM THE CLEAN-UP AND THE NEGLIGENT CONTRACTOR SHALL PAY THE ASSOCIATED BACK-CHARGES AS DEEMED APPROPRIATE BY THE ARCHITECT/ ENGINEER.
- CONTRACTOR SHALL STORE ALL MATERIALS AND EQUIPMENT SHIPPED TO THE SITE IN A PROTECTED AREA. IF MATERIAL IS STORED OUTSIDE OF THE BUILDING, IT MUST BE STORED OFF THE GROUND A MINIMUM OF SIX INCHES (6") SET ON 6 X 6 PLANKS AND/OR WOOD PALLET. ALL MATERIAL AND EQUIPMENT MUST BE COMPLETELY COVERED WITH WATERPROOF TARPS OR VISQUIN. ALL PIPING AND DUCTWORK WILL HAVE THE ENDS CLOSED TO KEEP OUT DIRT AND OTHER DEBRIS. NO EQUIPMENT WILL BE ALLOWED TO BE STORED ON THE SITE UNLESS IT IS SITTING ON WOOD PLANKS AND COMPLETELY PROTECTED WITH WEATHERPROOF COVERS.
- THE DRAWINGS, SCHEDULES AND SPECIFICATIONS HAVE BEEN PREPARED USING ONE MANUFACTURER FOR EACH PIECE OF EQUIPMENT AS THE BASIS FOR DIMENSIONAL DESIGN. IF THE CONTRACTOR PURCHASES EQUIPMENT LISTED AS A SPECIFIED ACCEPTABLE MANUFACTURER BUT IS NOT THE SCHEDULED MANUFACTURER USED FOR THE BASE DESIGN, THE CONTRACTOR SHALL BE RESPONSIBLE FOR CHECKING ALL THE DIMENSIONS OF THE EQUIPMENT TO VERIFY THAT IT WILL FIT IN THE SPACE SHOWN ON THE DRAWINGS. MINOR DEVIATIONS IN DIMENSIONS WILL BE PERMITTED, PROVIDED THE RATINGS MEET THOSE SHOWN ON THE DRAWINGS AND EQUIPMENT WILL PHYSICALLY FIT INTO THE SPACE ALLOCATED WITH SUITABLE ACCESS AROUND EQUIPMENT FOR OPERATION AND MAINTENANCE ON THE EQUIPMENT.
- CONTRACTOR SHALL VERIFY THAT THE CHARACTERISTICS OF THE EQUIPMENT SUBMITTED FOR REVIEW MEETS THE CAPACITY AND DUTY SPECIFIED.
- WHEN EQUIPMENT IS SUBMITTED FOR REVIEW AND DOES NOT MEET THE PHYSICAL SIZE OR ARRANGEMENT OF THAT SCHEDULED AND SPECIFIED, CONTRACTOR SHALL PAY FOR ALL ALTERATIONS REQUIRED TO ACCOMMODATE SUCH EQUIPMENT AT NO ADDITIONAL COST TO OWNER. CONTRACTOR WILL ALSO PAY ALL COSTS FOR ADDITIONAL WORK REQUIRED BY OTHER CONTRACTORS, OWNER, ARCHITECT OR ENGINEER TO MAKE CHANGES WHICH WOULD ALLOW THE EQUIPMENT TO FIT IN THE SPACE AND FUNCTION AS INTENDED.
- CONTRACTOR SHALL FIELD VERIFY THE SIZE OF EXISTING OPENINGS, WINDOWS, DOORS, CORRIDORS, ROOMS, ETC. FOR ACCESS OF THE NEW EQUIPMENT INTO OR REMOVAL OF EXISTING EQUIPMENT FROM THE BUILDING. IF OPENINGS ARE TOO SMALL FOR ACCESS THEN CONTRACTOR SHALL, AT HIS OWN EXPENSE, PROVIDE NEW OR ENLARGED OPENINGS AND RESTORE SAME TO ORIGINAL SIZE AND CONDITION. CONTRACTOR MAY ELECT TO ORDER THE EQUIPMENT DISASSEMBLED AND/OR WITH SPLIT HOUSING FOR ENTRANCE INTO THE EXISTING SPACE OR BUILDING. CONTRACTOR SHALL REASSEMBLE EQUIPMENT AFTER IT IS IN THE SPACE AT HIS OWN EXPENSE.
- ALL PIPING SHALL BE SUSPENDED WITH CLEVIS AND/OR TRAPEZE PIPE HANGERS. INSULATED PIPING SHALL REST ON STEEL OR WOOD (CHILLED WATER PIPING) PIPE COVERING PROTECTION SADDLES OR SHEET METAL INSULATION SHIELDS AS CALLED FOR IN THE SPECIFICATIONS AND/OR DETAILED ON THE DRAWINGS.
- ALL PIPING PENETRATIONS THRU FLOORS SHALL HAVE A SCHEDULE 40 STEEL PIPE SLEEVE INSTALLED AROUND PIPE ONLY. ALL PIPE PENETRATIONS THRU WALLS SHALL HAVE A GALVANIZED SHEET METAL OR SCHEDULE 40 STEEL PIPE SLEEVE INSTALLED AROUND THE PIPE AND PIPE INSULATION. ALL PENETRATIONS TO BE SEALED TO MAINTAIN FIRE-ROOF RATING AND INTEGRITY.
- PITCH ALL SUPPLY AND RETURN WATER LINES TO DRAIN COMPLETELY THROUGH LOWER EQUIPMENT, UNIONS, OR DRAIN VALVES. INSTALL A 1/2" DRAIN VALVE WITH 3/4" HOSE THREAD OUTLET IN ALL MAIN PIPING RUNS WHICH WOULD NOT BE ABLE TO DRAIN THRU A LOWER PIECE OF EQUIPMENT.
- PLAN DIMENSIONS AND DETAILS RELATIVE TO EXISTING STRUCTURE HAVE BEEN TAKEN FROM EXISTING PLANS AND ARE SUBJECT TO NOMINAL CONSTRUCTION VARIATIONS. IT SHALL BE THE CONTRACTOR'S RESPONSIBILITY TO VERIFY SUCH DIMENSIONS AND DETAILS IN THE FIELD AND MAKE NECESSARY APPROVED ADJUSTMENTS PRIOR TO CONSTRUCTION OR ORDERING OF MATERIALS.

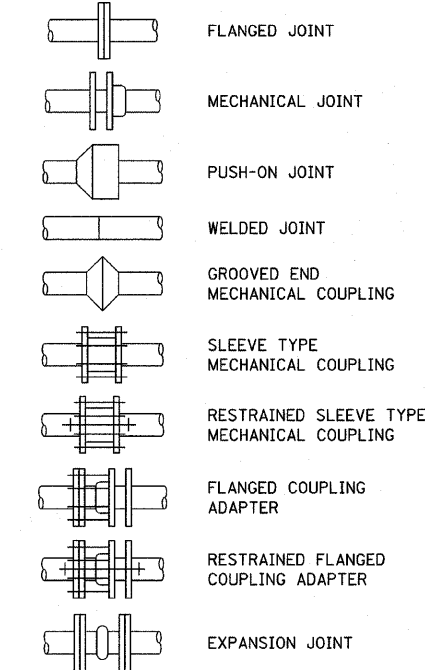
GENERAL



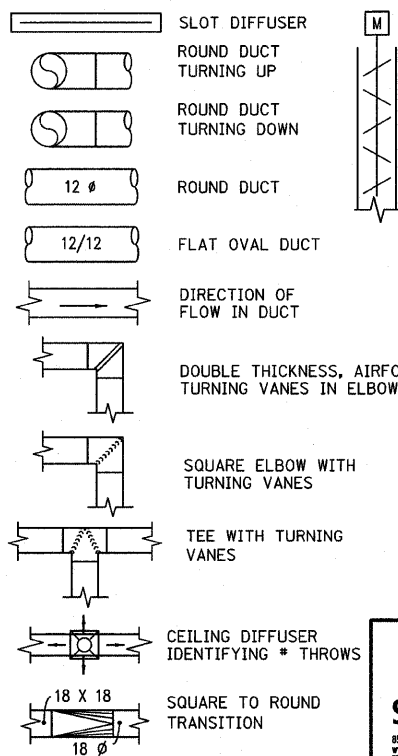
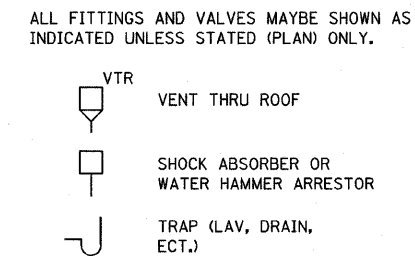
VALVES



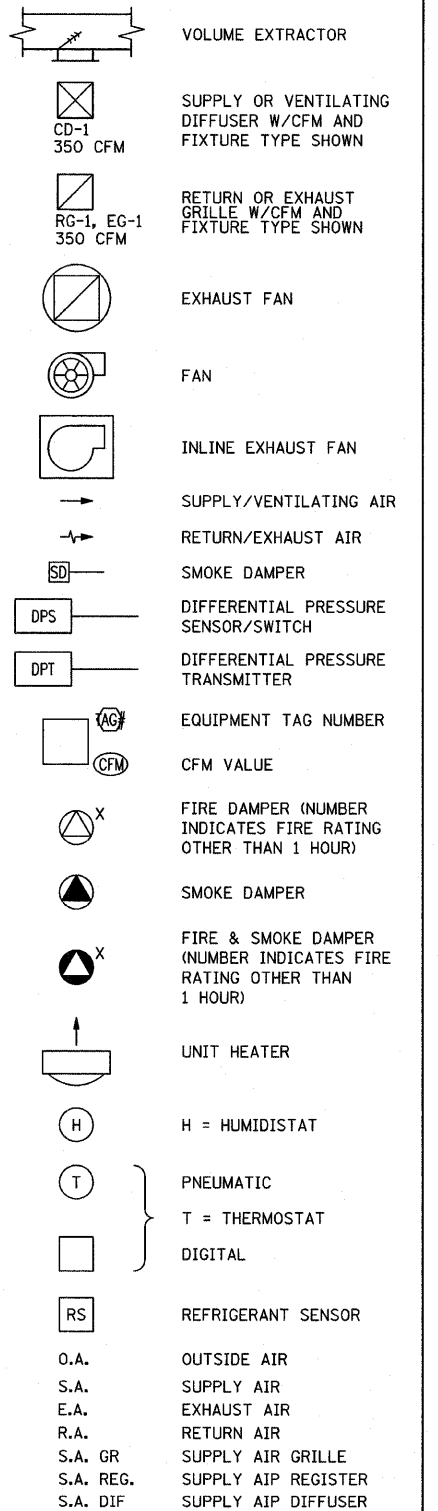
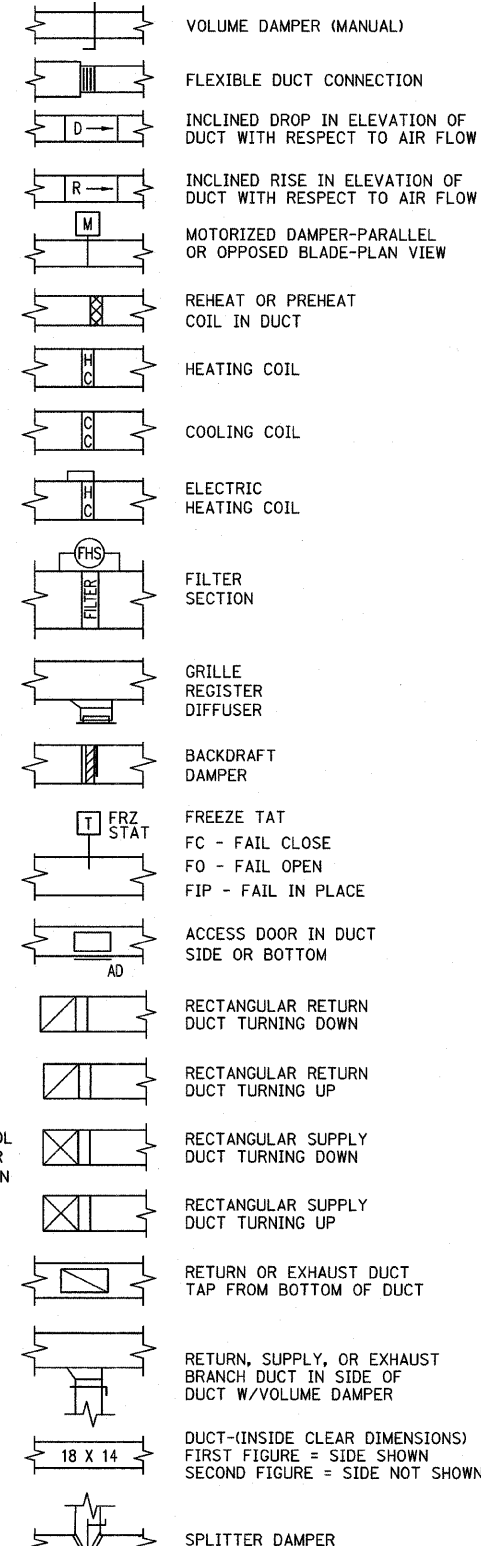
PIPE AND FITTINGS



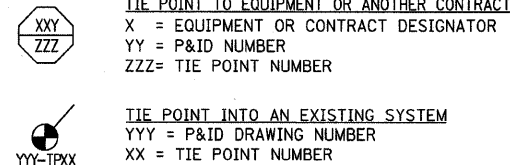
SCHEMATIC FITTINGS AND VALVES



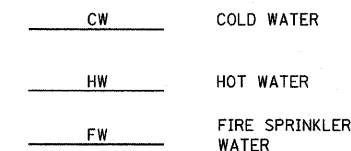
HVAC



TIE POINT DESIGNATORS



PLUMBING LINE TYPES



REVISIONS	
NAME	DATE

ILLINOIS DEPARTMENT OF TRANSPORTATION

MECHANICAL SYMBOL LIST & NOTES

SCALE: VERT. NO SCALE  
 HORIZ. NO SCALE  
 DATE: 3/23/2010  
 DRAWN BY: R.D  
 CHECKED BY: A.M.



PLOT DATE = 3/22/2010  
 FILE NAME = D:\980828-161-1-M-01.dgn  
 PLOT SCALE = 1:1  
 USER NAME = R05878