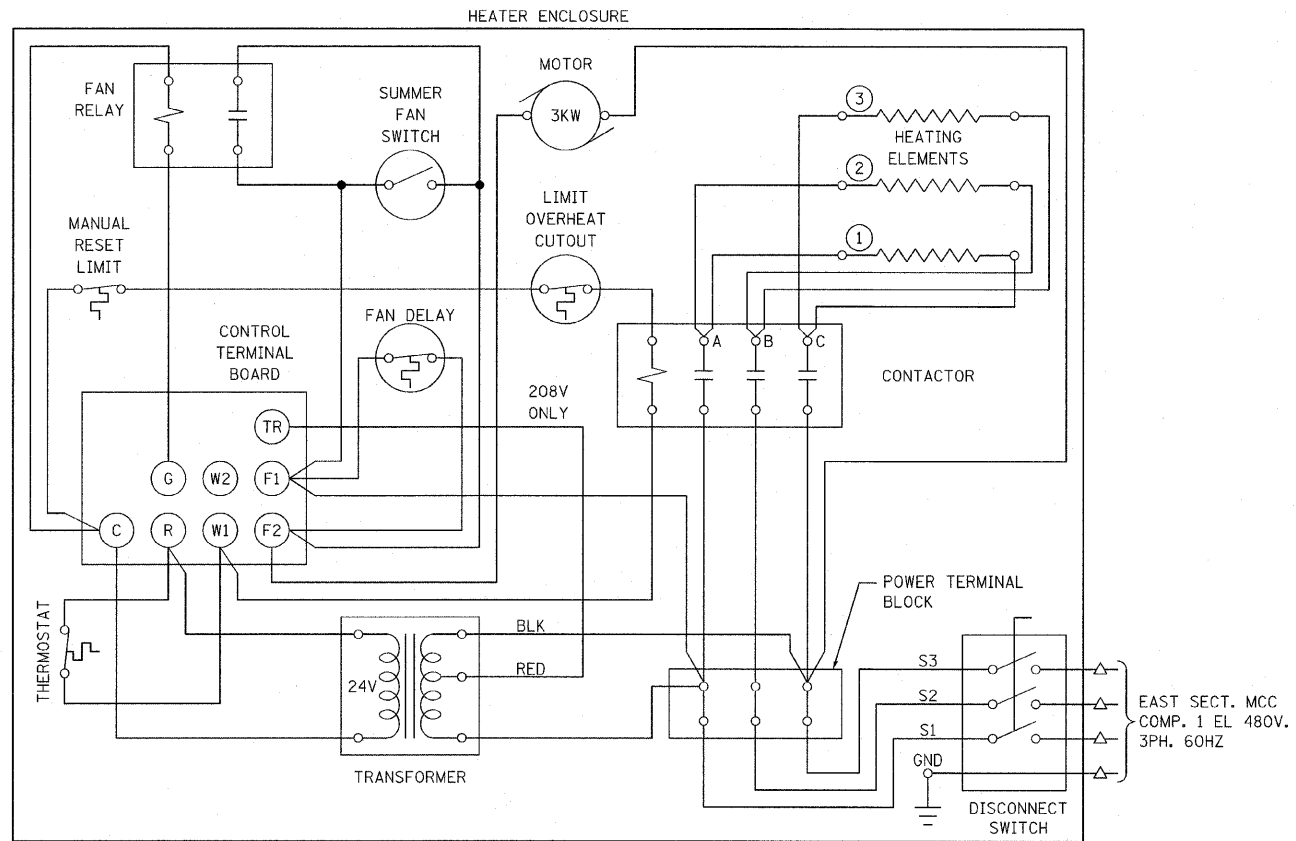
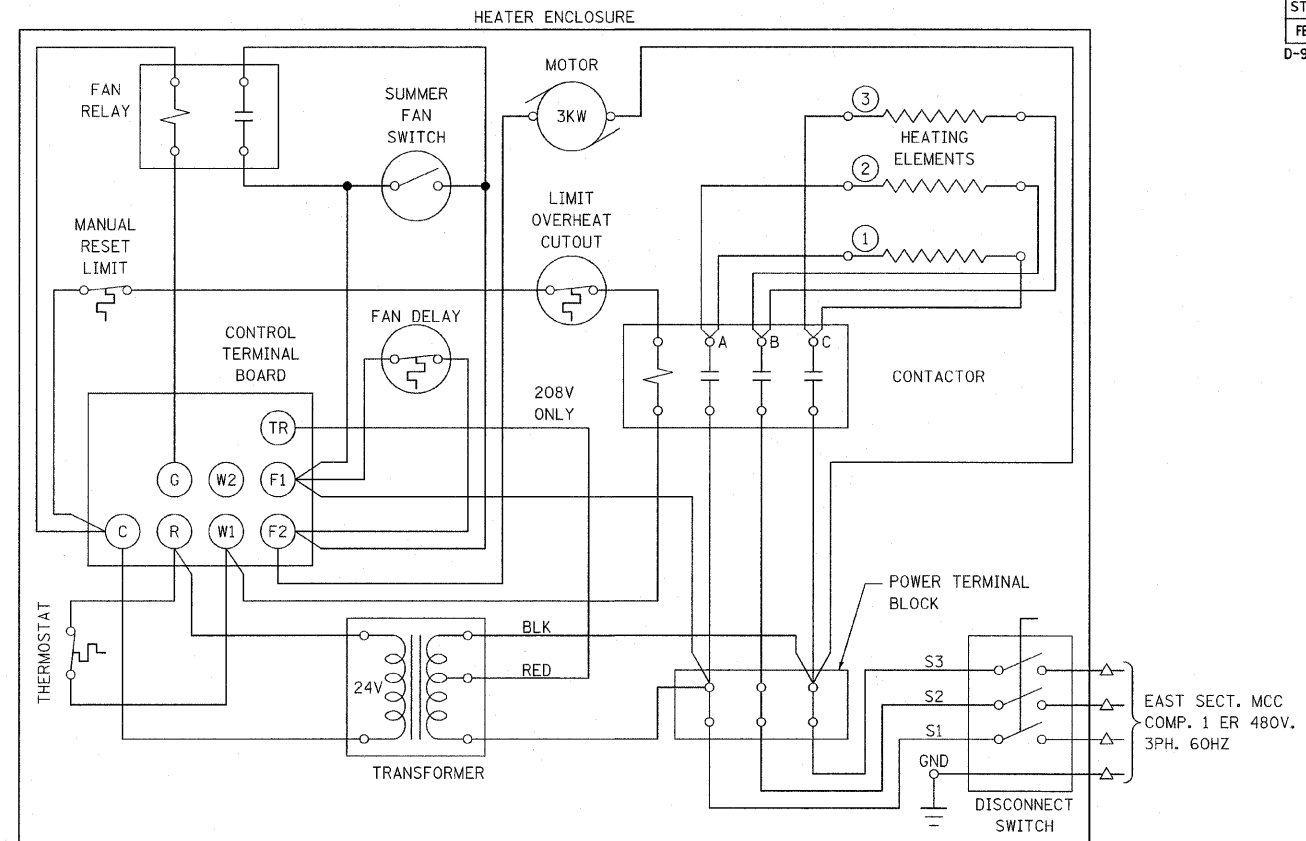


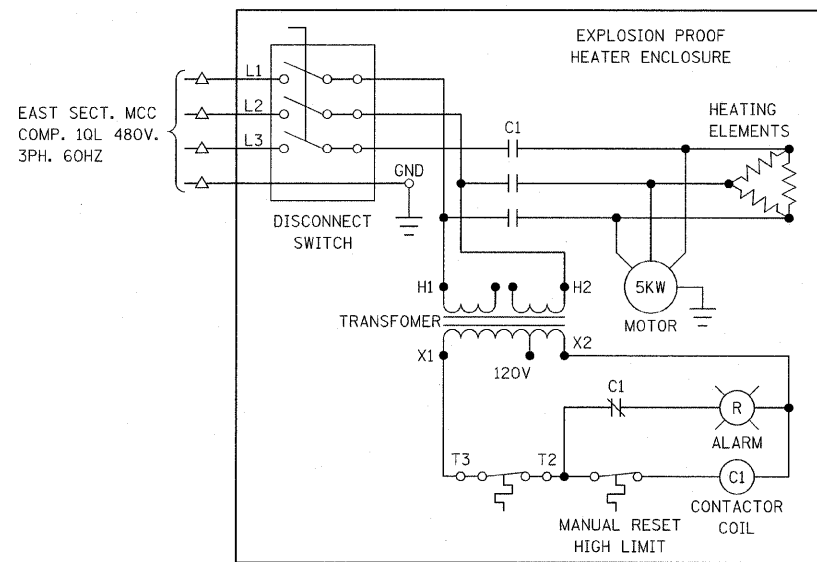
F.A.P. RTE.	SECTION	COUNTY	TOTAL SHEETS	SHEET NO.
90/94	1999-161-1	COOK	75	52
STA.		TO STA.		
FED. ROAD DIST. NO.		ILLINOIS FED. AID PROJECT		
D-91-411-99				



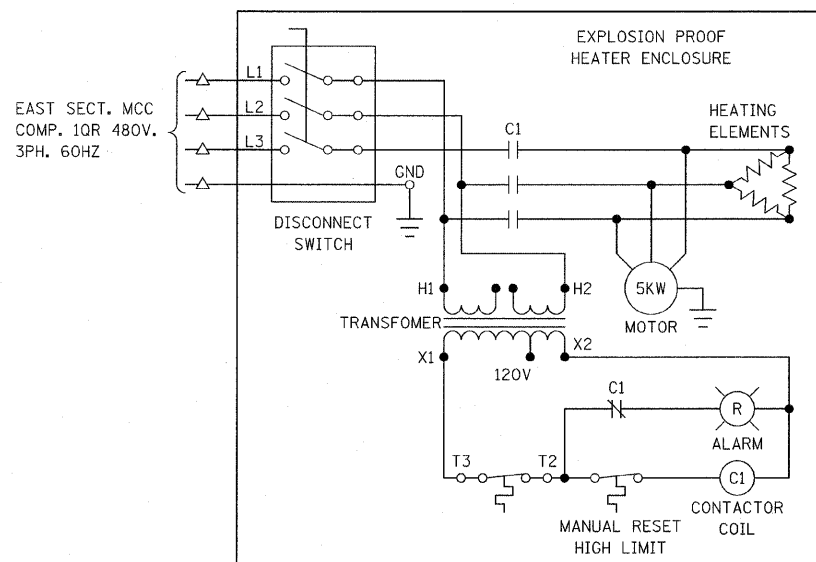
MCC ROOM UNIT HEATER UH-1B



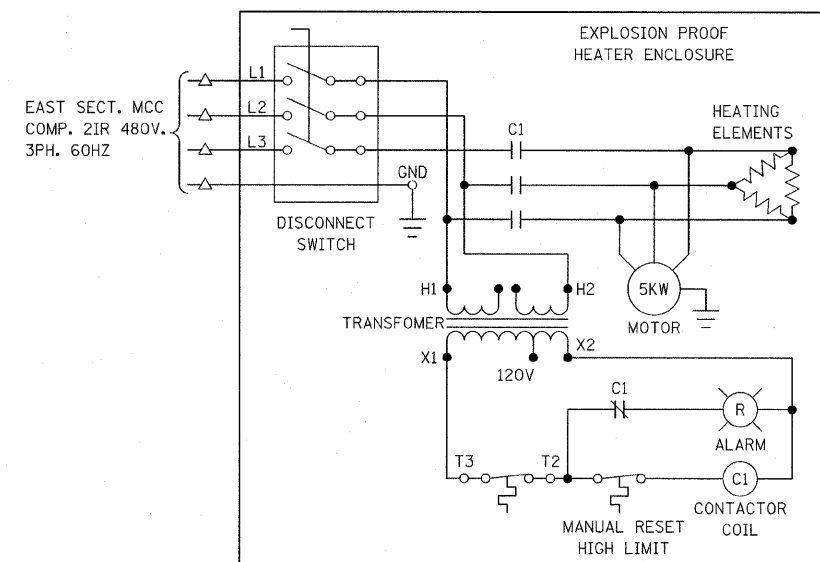
MCC ROOM UNIT HEATER UH-1A



PUMP ROOM HEATER UH-2B



PUMP ROOM HEATER UH-2A



TRASH RACK STAIRWELL HEATER UH-3

LEGEND:

- △ TERMINAL LOCATED IN MCC
- TERMINAL LOCATED IN HEATER ENCLOSURE



REVISIONS	
NAME	DATE

ILLINOIS DEPARTMENT OF TRANSPORTATION

VENTILATION SYSTEM CONTROL SCHEMATICS - SHEET 2

SCALE: VERT. NO SCALE
HORIZ. DATE: 3/23/2010

DRAWN BY: B.K.
CHECKED BY: M.Z.

PLOT DATE = 3/23/2010
FILE NAME = D:\88828-uh-1-e-10.dgn
PLOT SCALE = 1:1
USER NAME = MUSER