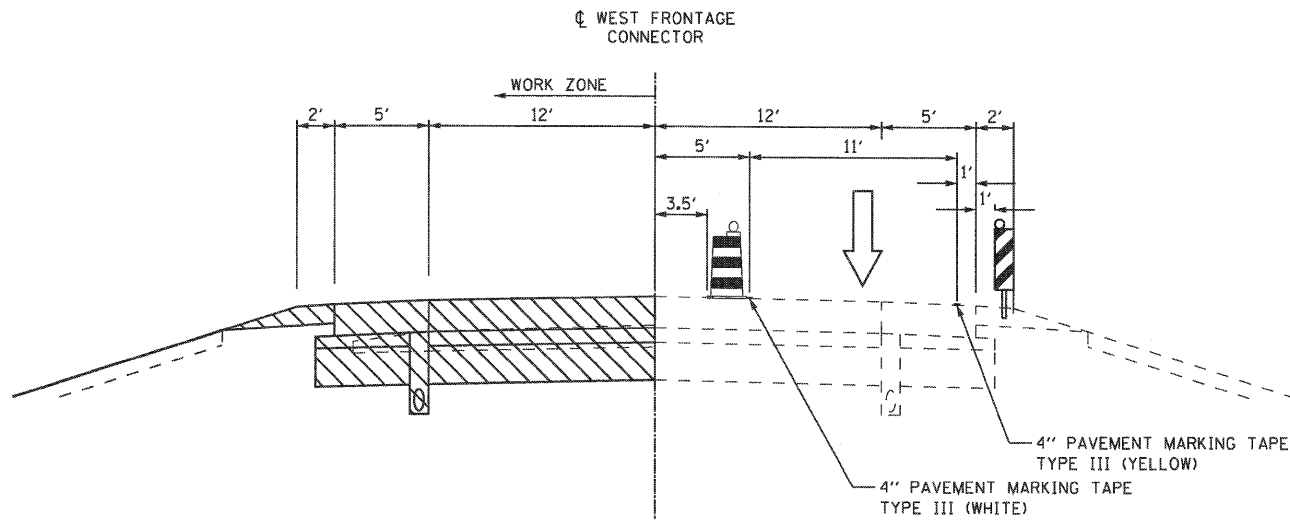
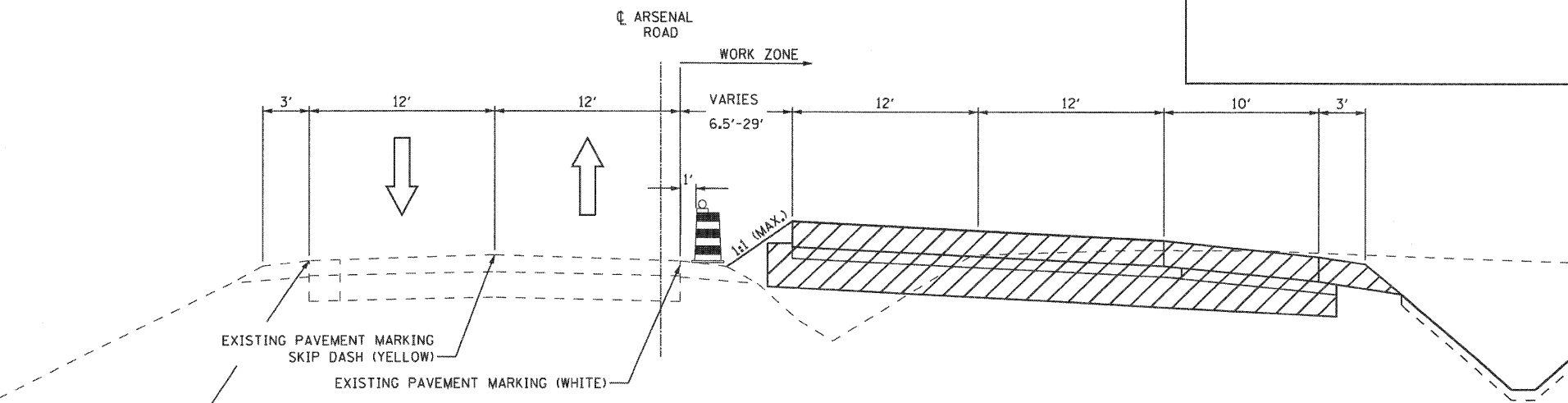


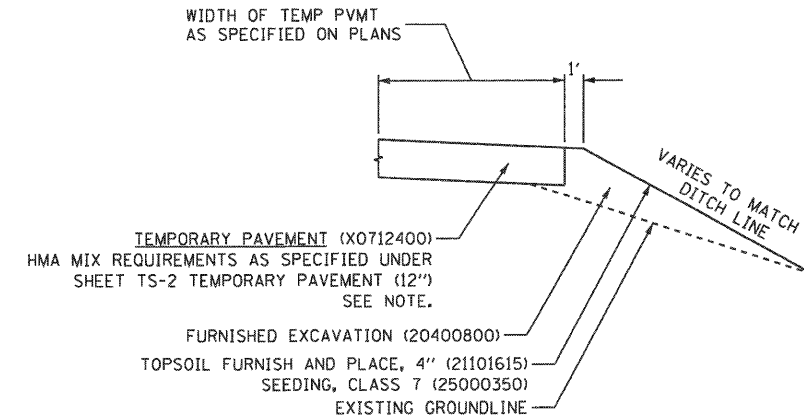
**WEST FRONTAGE CONNECTOR**  
 STAGE 2  
 STA. 6024+07 TO STA. 6077+54



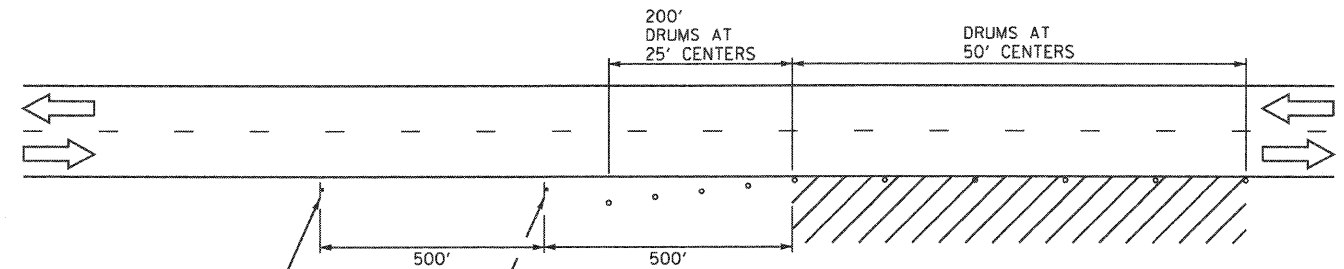
**WEST FRONTAGE CONNECTOR**  
 STAGE 3  
 STA. 6024+07 TO STA. 6077+54



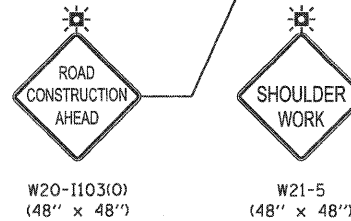
**EAST FRONTAGE ROAD / ARSENAL ROAD**  
 STAGE 1, 2, AND 3  
 STA. 900+00 TO STA. 919+75



NOTE: THE CONTRACTOR SHALL HAVE THE OPTION OF INSTALLING 10" PCC PAVEMENT OR 12" HMA PAVEMENT AS TEMPORARY PAVEMENT.



- NOTES**
1. PLASTIC DRUMS WITH HIGH PERFORMANCE REFLECTIVE SHEETING AND STEADY BURNING LIGHTS ARE REQUIRED FOR ALL NIGHT TIME CLOSURES.
  2. ALL SIGNS SHALL BE POST MOUNTED IF THE CLOSURE TIME EXCEEDS FOUR DAYS.
  3. FLASHING LIGHTS SHALL BE USED DURING THE HOURS OF DARKNESS AND SHALL BE INSTALLED ABOVE THE FIRST TWO SETS OF SIGNS.



**DETAIL B**  
 WORK ZONE ADJACENT TO EDGE OF PAVEMENT

**LEGEND**  
 CONSTRUCTION AREA

FILE NAME = ...D168C31-SHT-STAGING02.dgn	USER NAME = gra	DESIGNED - GR	REVISED -
		DRAWN - GR	REVISED -
		CHECKED - RY	REVISED -
		DATE - 12/18/2009	REVISED -

**STATE OF ILLINOIS**  
**DEPARTMENT OF TRANSPORTATION**

**MAINTENANCE OF TRAFFIC**  
**TYPICAL SECTIONS AND DETAILS**

SCALE: NONE SHEET NO. 1 OF 1 SHEETS STA. TO STA.

F.A.I. RTE. 55	SECTION (99-1&2)-3	COUNTY WILL	TOTAL SHEETS 524	SHEET NO. 88
FED. ROAD DIST. NO. 1   ILLINOIS FED. AID PROJECT			CONTRACT NO. 60C31	