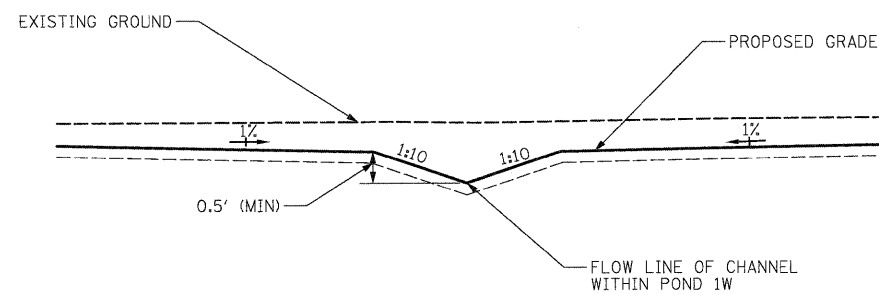
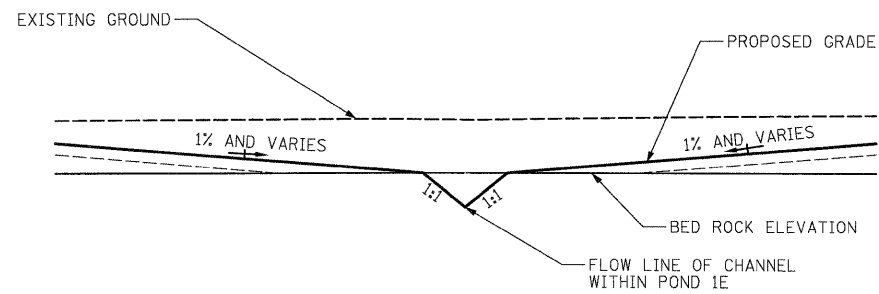


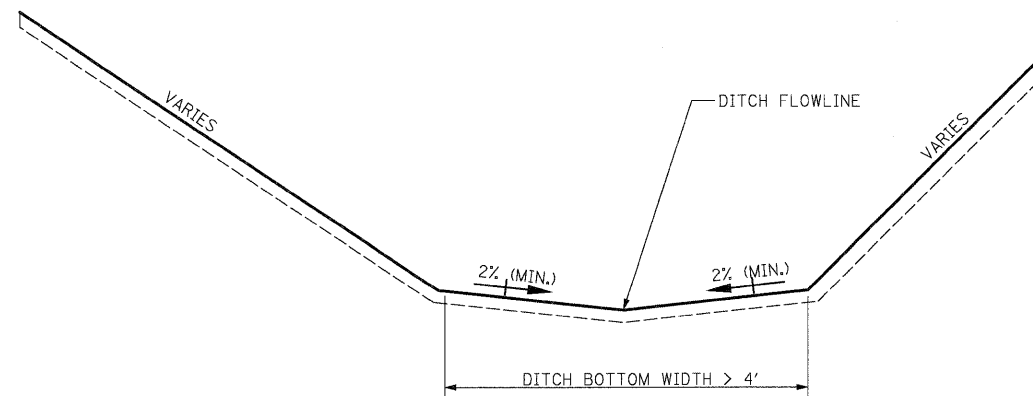
DETAIL A
CHANNEL THROUGH BED ROCK- POND 1W
 NOT TO SCALE



TYPICAL GRADING THROUGH DETENTION POND
(WHEN BED ROCK IS NOT PRESENCE)
 NOT TO SCALE



DETAIL B
CHANNEL THROUGH BED ROCK- POND 1E
 NOT TO SCALE



TYPICAL DITCH GRADING DETAIL FOR DITCHES WITH
DITCH BOTTOM WIDTH GREATER THAN 4'
 NOT TO SCALE

NOTE:

FOR DITCH SIDE SLOPES, FLOW LINE ELEVATION AND DITCH BOTTOM WIDTH INFORMATIONS, REFER TO PROPOSED CROSS SECTIONS.

300 W. ADAMS ST.
 CHICAGO, IL 60606
 SINGH & ASSOCIATES, INC.
 CONSULTING ENGINEERS
 TEL: (312) 629-0240
 FAX: (312) 629-8449

FILE NAME = 0160C31-SHT-DRAIN19.dgn	USER NAME = TKluegl	DESIGNED - PKT	REVISED -
		DRAWN - PKT	REVISED -
		CHECKED - CL	REVISED -
		DATE - 12/18/09	REVISED -
PLOT SCALE = 1:50			
PLOT DATE = 12/11/2009			

STATE OF ILLINOIS
DEPARTMENT OF TRANSPORTATION

DRAINAGE DETAILS

SCALE: NONE SHEET NO. 19 OF 22 SHEETS STA. TO STA.

F.A.I. RTE. 55	SECTION (99-1&2)AC-3	COUNTY WILL	TOTAL SHEETS 524	SHEET NO. 162
FED. ROAD DIST. NO. 1 ILLINOIS FED. AID PROJECT			CONTRACT NO. 60C31	

FINAL