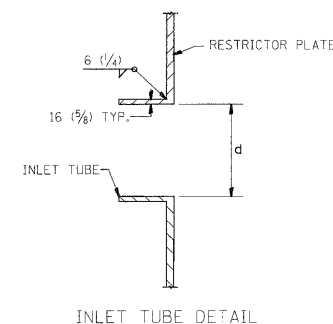
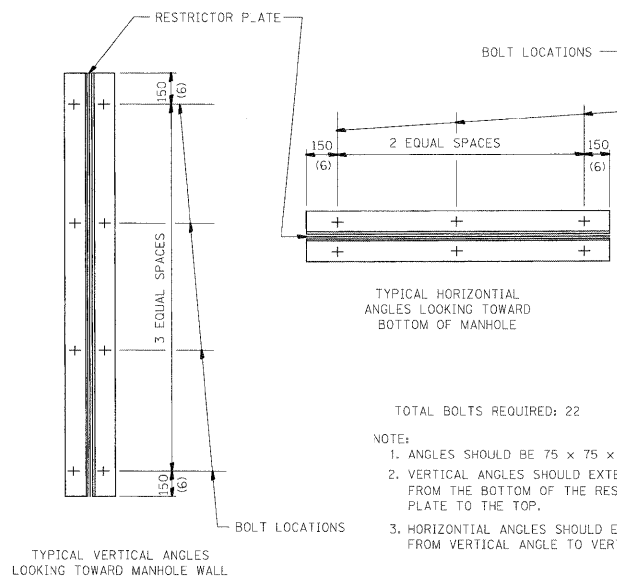


NOTES:

1. ALL STEEL ANGLES AND PLATES TO BE GALVANIZED AFTER FABRICATION.
2. ALL RESTRICTOR PLATES, ANGLES AND HARDWARE TO BE INCLUDED IN THE COST OF THE MANHOLE.
3. BASIS OF PAYMENT: "MANHOLES, TYPE A, 1.8m (6FT.) DIAMETER, TYPE 1 FRAME, CLOSED LID, RESTRICTOR PLATE" EACH



STRUCTURE NUMBER	STATION	MANHOLE DIAMETER	FRAME AND GRATE	RESTRICTOR TYPE	INSIDE LOWER RESTRICTOR DIAMETER OR SIZE mm (in.) (d)	INVERT OF LOWER RESTRICTOR	INSIDE UPPER RESTRICTOR DIAMETER OR SIZE mm (in.) (d)	INVERT OF UPPER RESTRICTOR	ELEVATION OF TOP OF PLATE OVERFLOW
S26 POND 1E	3028+81	6'	2 TY 1F CL	5	28"x68" RECTANGLE	525.50	36" WIDE WEIR	528.15	528.70
S19 POND 1W	2027+14	6'	2 TY 1F CL	5	4-11.9" DIA.	524.75	4-10" DIA.	527.10	528.10



- TOTAL BOLTS REQUIRED: 22
- NOTE:
1. ANGLES SHOULD BE 75 x 75 x 10 (3x3x3/8)
 2. VERTICAL ANGLES SHOULD EXTEND FROM THE BOTTOM OF THE RESTRICTOR PLATE TO THE TOP.
 3. HORIZONTAL ANGLES SHOULD EXTEND FROM VERTICAL ANGLE TO VERTICAL ANGLE.

RESTRICTOR TYPE					
1	2	3	4	5	6
RE-ENTRANT TUBE	SHARP EDGED	SQUARE EDGED	RE-ENTRANT TUBE	SQUARE EDGED	ROUNDED
LENGTH: 1/2 TO 1 DIA.		STREAM CLEARS SIDES	LENGTH: 2-1/2 DIA.	LENGTH: 2-1/2 DIA.	
C=.52	C=.61	C=.61	C=.73	C=.82	C=.98

VALUES OF "C" FOR CIRCULAR AND SQUARE ORIFICES

ALL DIMENSIONS ARE IN MILLIMETERS (INCHES) UNLESS OTHERWISE SHOWN.

ILLINOIS DEPARTMENT OF TRANSPORTATION

MANHOLE WITH RESTRICTOR PLATE

REVISIONS	
NAME	DATE
R. SHAH	09/09/94
R. SHAH	10/25/94
E. GOMEZ	08/28/00
M. GOMEZ	01/08/01

SCALE: NONE
DATE ##DATE##

DRAWN BY
CHECKED BY
BD600-04 (BD-12)

FILE NAME = D162C31-SHT-DRAIN20.dgn
USER NAME = TKluage1
DESIGNED - PKT
DRAWN - PKT
PLOT SCALE = 1:50
PLOT DATE = 12/11/2009

DESIGNED - PKT
DRAWN - PKT
CHECKED - CL
DATE - 12/18/09

STATE OF ILLINOIS
DEPARTMENT OF TRANSPORTATION

RESTRICTOR MANHOLE DETAIL

SCALE: NONE SHEET NO. 20 OF 22 SHEETS STA. TO STA.

F.A. RTE.	SECTION	COUNTY	TOTAL SHEETS	SHEET NO.
55	(99-1&2)AC-3	WILL	524	163
FED. ROAD DIST. NO. 1 ILLINOIS FED. AID PROJECT			CONTRACT NO. 60C31	