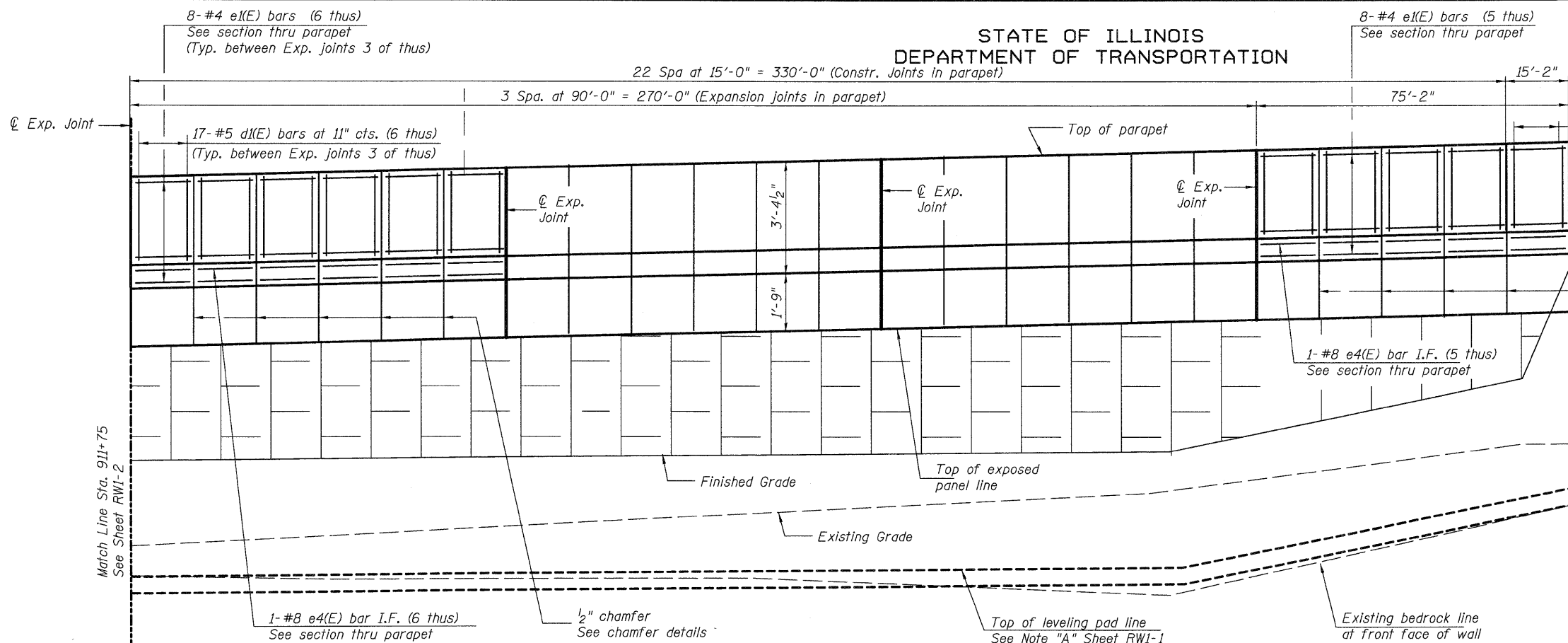
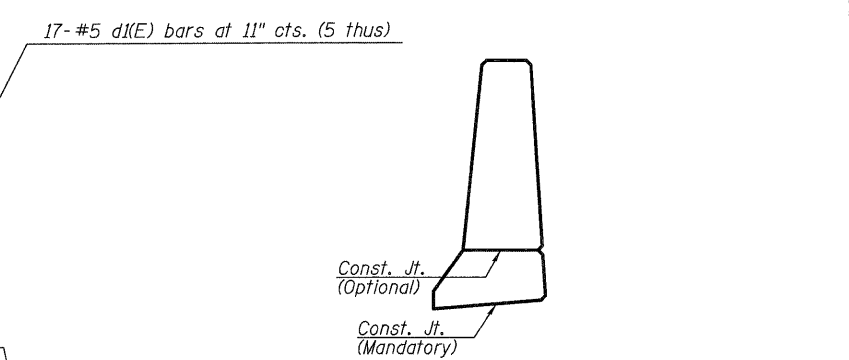


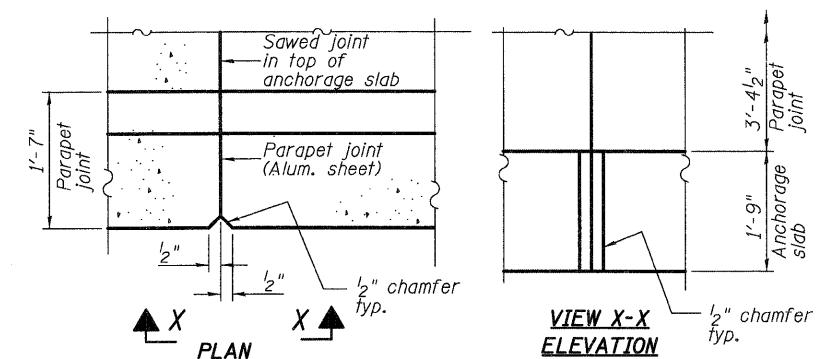
STATE OF ILLINOIS  
DEPARTMENT OF TRANSPORTATION



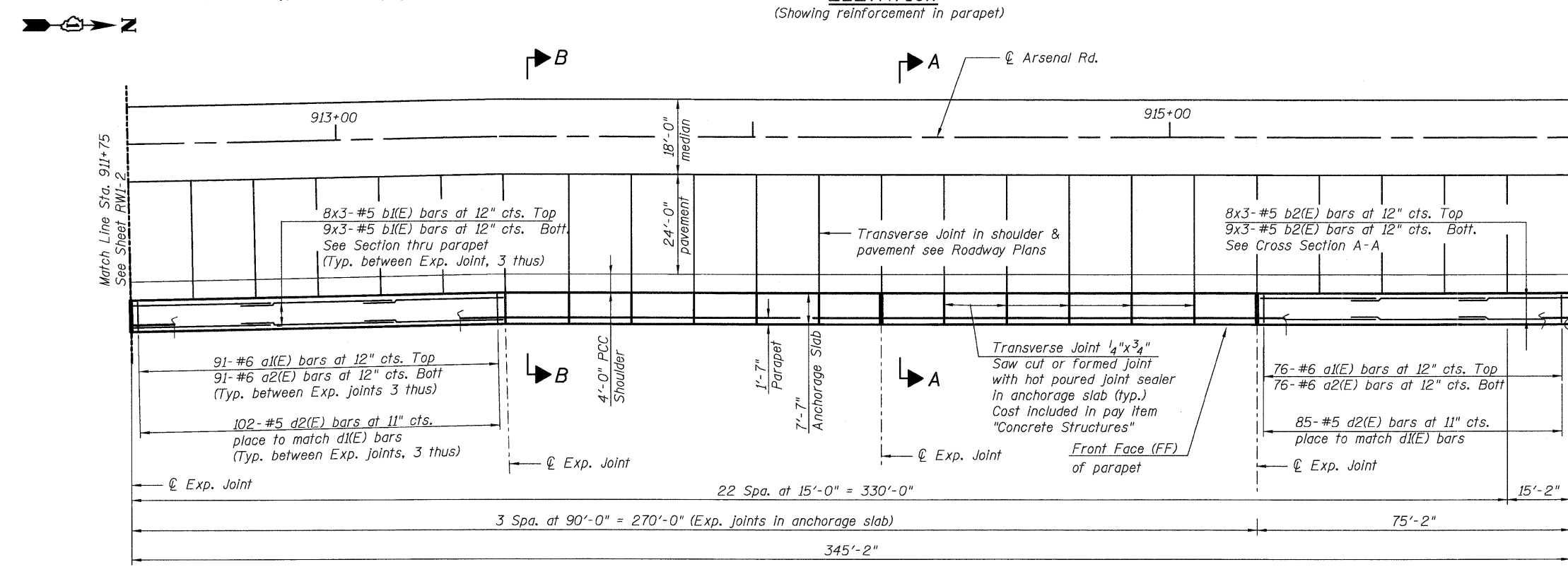
**ELEVATION**  
(Showing reinforcement in parapet)



**PARAPET JOINT DETAIL**  
Parapet joints shall be aluminum sheeted full height. 8" Aluminum sheet ASTM B 209 alloy 3003-H14, coated to minimize reaction with wet concrete same dimension as section of parapet. Cost included in the pay item "Concrete Structures".



**CHAMFER DETAILS**



**PLAN**  
(Showing reinforcement in anchorage slab)

Note:  
Slip forming of the parapet is not allowed.

Notes:  
Wall offsets are measured from the C/B Arsenal Rd. to the front face of precast panels.  
For locations and sizes of manhole and pipe see drainage and utility plans.  
Work this sheet with sheets RW1-1 & RW1-2.  
For Bill of Material see Sheet RW1-5.  
For Sections A-A & B-B see Sheet RW1-4.

DESIGNED	PMH
CHECKED	MJL
DRAWN	RJ
CHECKED	BKB

**MIN. LAP**  
#4 bar = 1'-4"  
#5 bar = 1'-8"  
#8 bar = 3'-8"

**McDonough Associates Inc.**  
Engineers / Architects  
130 East Randolph Street  
Chicago, Illinois 60601  
(312) 946-8600

SHEET NO. RW1-3 SHEETS RW1-9	F.A.I. RTE.	SECTION	COUNTY	TOTAL SHEETS	SHEET NO.
	55	(99-1&2) AC-3	WILL	524	304
CONTRACT NO. 60C31					
FED. ROAD DIST. NO. 1 ILLINOIS FED. AID PROJECT					

**MSE WALL-PLAN & ELEVATION  
STRUCTURE NO. 099-W026**