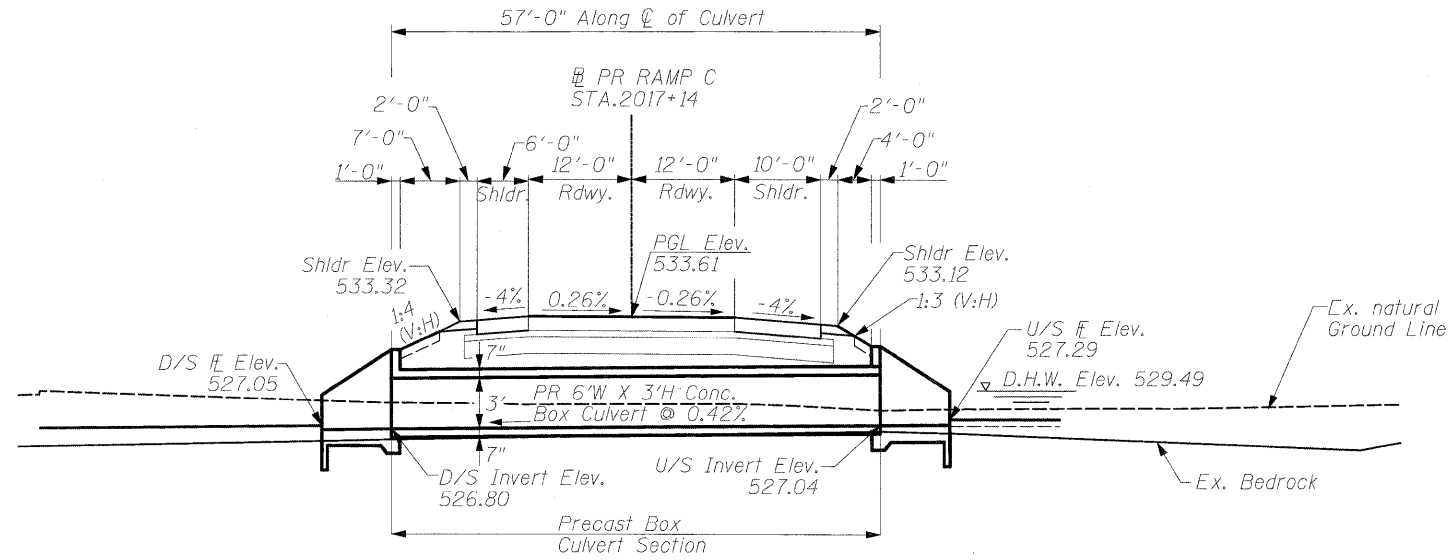
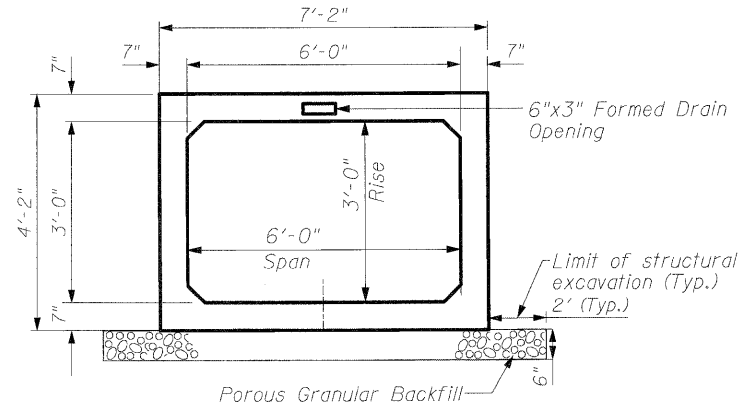


Bench Mark: BM 4
 (RR spike in 2nd power pole North of CPT 207 ±1' above ground. Elev. = 534.690)
 Existing Structures: None

STATE OF ILLINOIS
 DEPARTMENT OF TRANSPORTATION



LONGITUDINAL SECTION
 N.T.S.



SECTION THRU BARREL
 N.T.S.

DESIGN SPECIFICATIONS
 AASHTO 2002

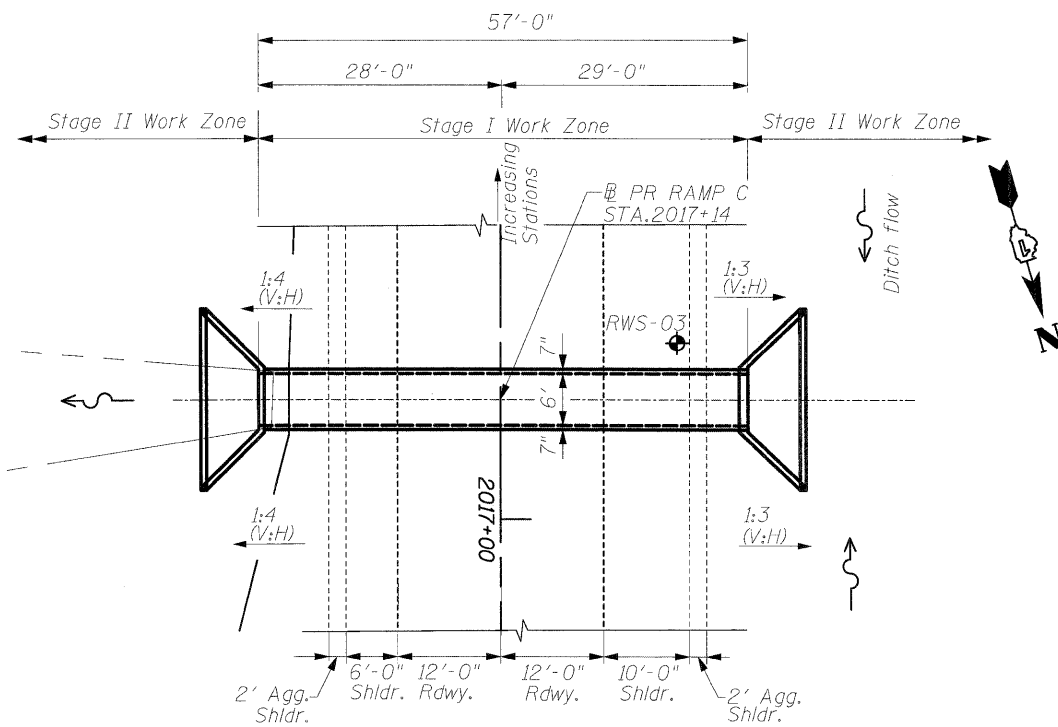
LOADING HS-20-44
 Allow 50 lbs/sq. ft. for future wearing surface.

DESIGN STRESSES

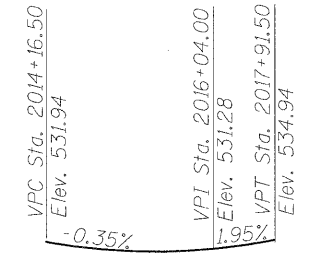
FIELD UNITS
 Cast-In-Place Units
 $f'_c = 3,500$ psi (Concrete)
 $f_y = 60,000$ psi (Reinforcement)
 Precast Units
 $f'_c = 5,000$ psi (Concrete)
 $f_y = 65,000$ psi (Welded Wire Fabric)

SEISMIC DATA

Seismic Performance Zone (SPC) = A
 Bedrock Acceleration Coeff.(A) = 0.04g
 Site Coefficient (S) = 1.0



PLAN
 N.T.S.



PROFILE GRADE
 (Along Ramp C)

WATERWAY INFORMATION

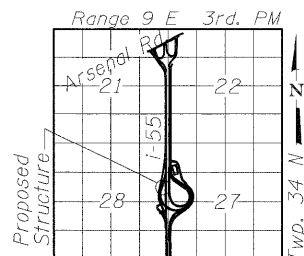
Drainage Area = 0.0296 sq. mi. Low Grade Elev. 533.12 @ Sta. 2017+14

Flood	Freq. Yr.	Q C.F.S.	Opening Sq.Ft.		Head - Ft.		Headwater El.		
			Exist.	Prop.	Nat. H.W.E.	Exist. Prop.	Exist.	Prop.	
Design	50	59.5	N/A	7.8	527.65	N/A	1.81	N/A	529.49
Base	100	69.0	N/A	8.7	528.03	N/A	1.71	N/A	529.74
Overtopping		145.80							

**GENERAL PLAN & ELEVATION-RAMP C
 OVER UNNAMED DITCH
 F.A.I. ROUTE 55 - SEC. (99-1&2)AC-3
 WILL COUNTY
 STATION 2017+14**

DESIGNED	VP
CHECKED	CL
DRAWN	VP
CHECKED	SP

LEGEND
 ◆ - Soil Boring Location



LOCATION SKETCH

SINGH
 SINGH & ASSOCIATES, INC.
 CONSULTING ENGINEERS
 300 W. ADAMS ST.
 CHICAGO, IL 60606
 TEL: (312) 629-0240
 FAX: (312) 629-8449

SHEET NO.
 SHEETS

F.A.I. RTE.	SECTION	COUNTY	TOTAL SHEETS	SHEET NO.
55	(99-1&2)AC-3	WILL	524	333
Sta. 2017+14 (Ramp C)		CONTRACT NO. 60C31		
FED. RD. DIST. NO. 1 ILLINOIS FED. AID PROJECT				

FINAL