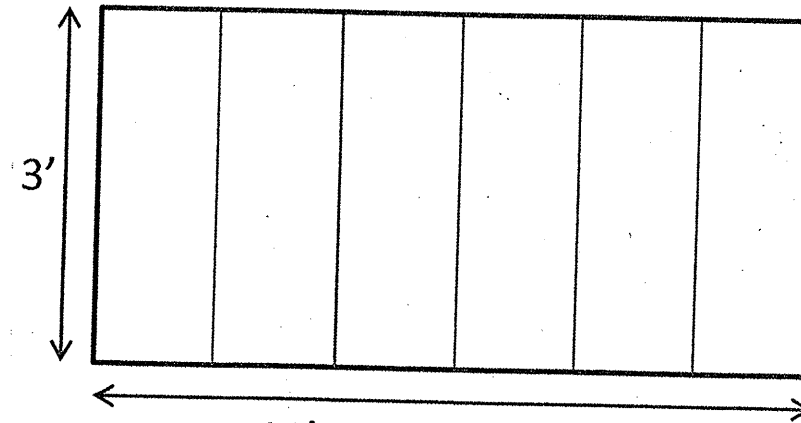
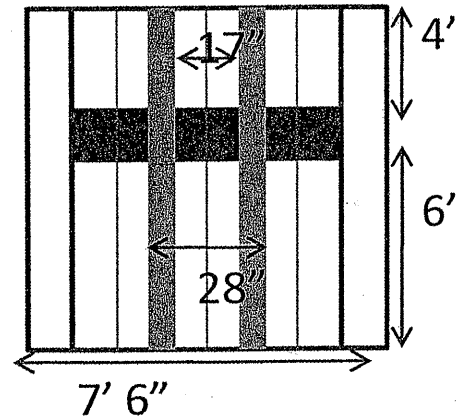


ROUTE	SECTION	COUNTY	TOTAL SHEETS	SHEET NUMBER
VARIOUS	2009-075 I	VARIOUS	21	10

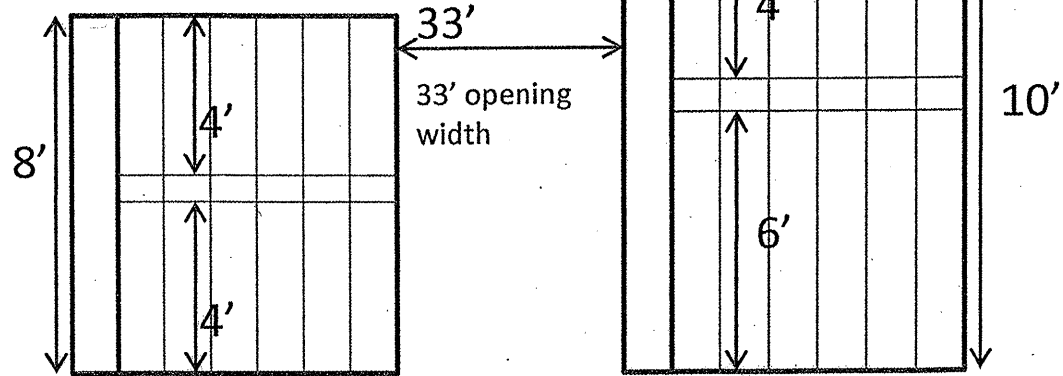
Contract 60H88

Each wall is comprised of 2 panels. Each panels come in either 4' or 6' heights. They are stacked to create the overall height desired. This location has stepped down from 10' to 8'.



Each panel fits the 15' opening and slide in and seat on top of each other. Color: brown.

14' 10.5" panel size
(15' opening)
DETAIL LOCATION: 4
(DURISOL WALL)



DETAIL LOCATION: 3
(SOUTHERN YELLOW PINE GLUE-LAMINATED WOODEN WALL)

LOCATION 3

ITEM	UNIT	QUANTITY
Noise Abatement Wall, Ground Mounted (Laminated Wood)	SQ.FT.	297
FOR INFORMATION ONLY		

LOCATION 4

ITEM	UNIT	QUANTITY
Removal of Noise Abatement Wall Panels	SQ.FT.	90
Noise Abatement Wall, Ground Mounted (Absorptive)	SQ.FT.	90
FOR INFORMATION ONLY		

FOR INFORMATION ONLY

SHEET 4 OF 4

ILLINOIS DEPARTMENT OF TRANSPORTATION

LOCATION: 3 AND 4
IL 83