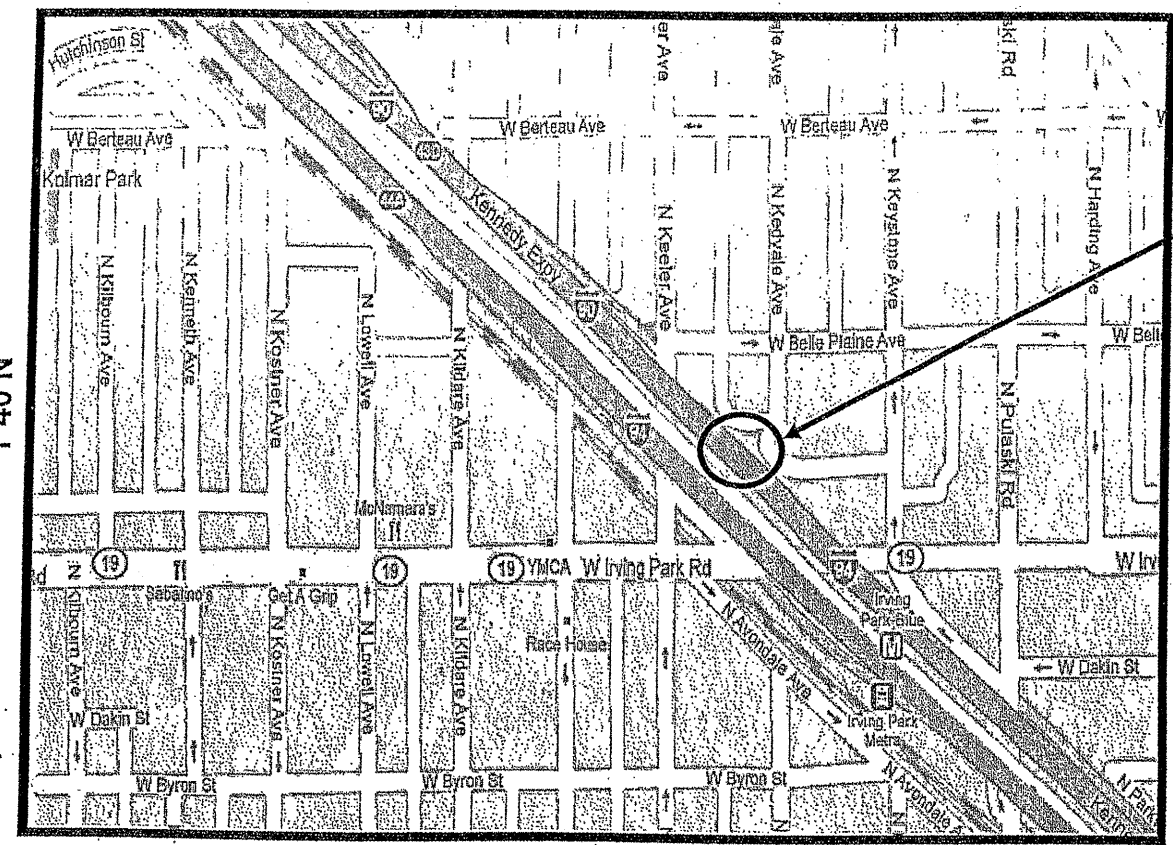


ROUTE	SECTION	COUNTY	TOTAL SHEETS	SHEET NUMBER
VARIOUS	2009-101 I	VARIOUS	36	24

Contract 60163

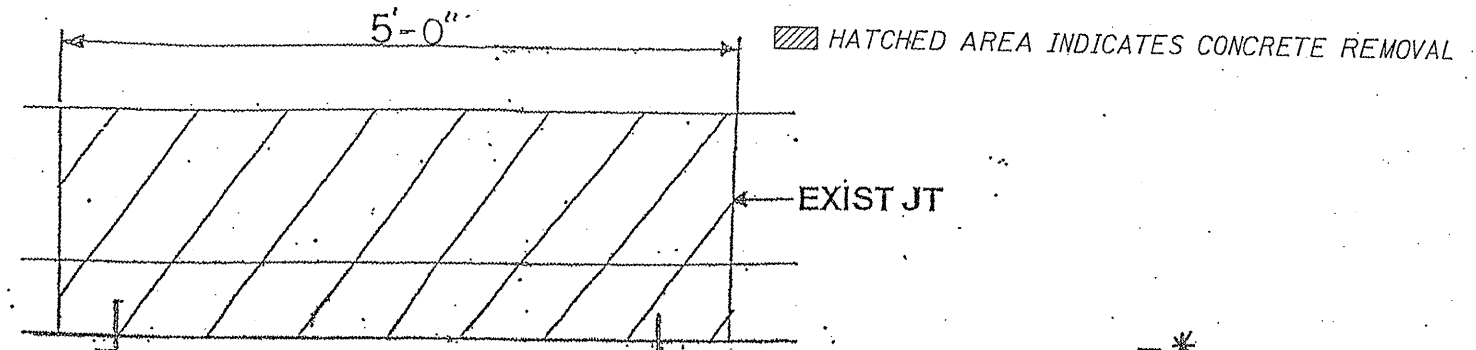
R 13 E

T 40 N



CITY OF CHICAGO
JEFFERSON AND WEST TOWNSHIPS
COOK COUNTY

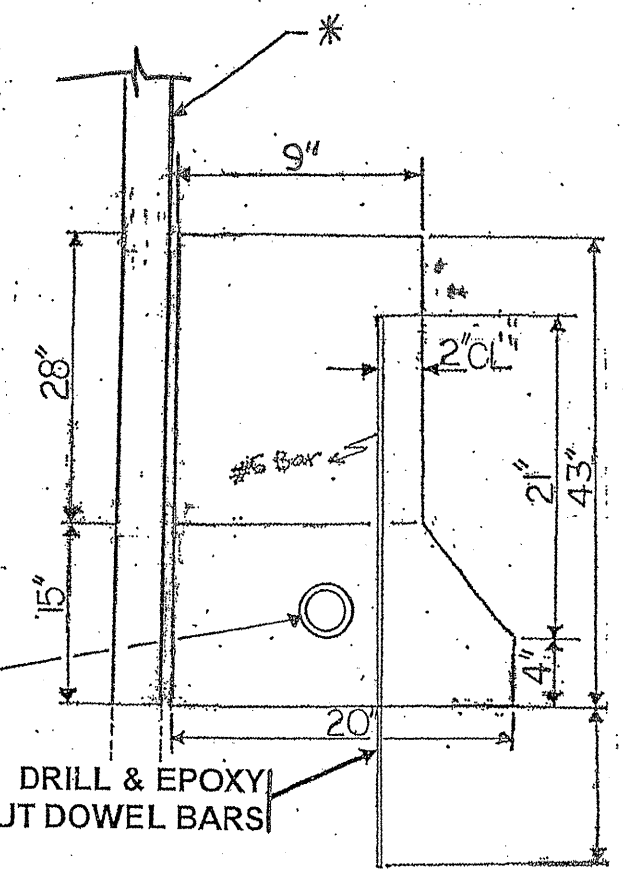
**LOCATION 13: I-90/94 NWB (KENNEDY) SOUTH OF KEELER AVE.
RIGHT SIDE.**



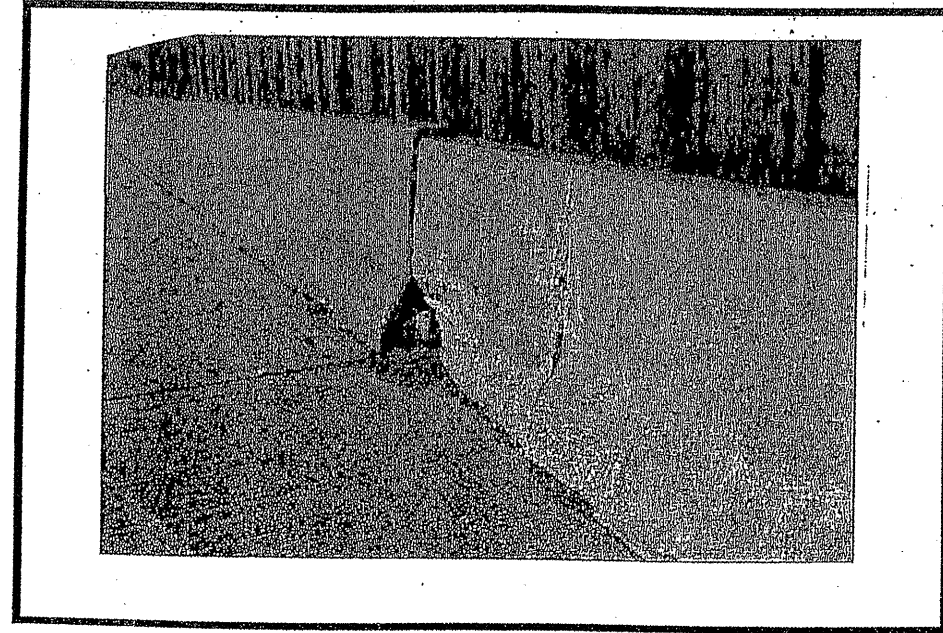
ELEVATION

NOTE:

- * EXISTING WOOD NOISE WALL CONTRACTOR TO TEMPORARILY SUPPORT THE WALL DURING BARRIER REPAIR, AND SHALL RECONNECT THE WALL TO THE NEW BARRIER WALL. COST INCLUDED IN "CONCRETE BARRIER WALL REMOVAL AND REPLACE (NO.)"



SECTION



TRAFFIC DATA:
I-90/90: SPEED LIMIT = 55 MPH
2009 ADT = 288,800

FULL DEPTH BARRIER REPAIR
SEE SHEET 8 FOR MORE DETAILS

Concrete Removal (Cu Yd)	0.6
Concrete Structure (Cu Yd)	0.6
FOR INFORMATION ONLY	

ILLINOIS DEPARTMENT OF TRANSPORTATION

LOCATION: 13
I-90/94 (JFK)