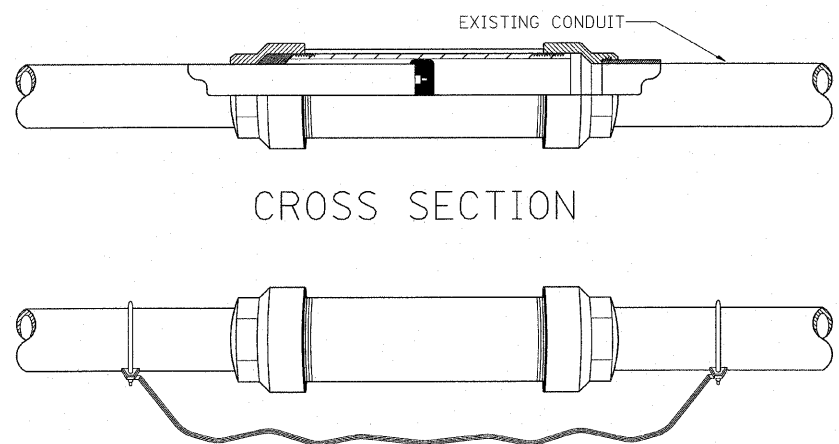


MATERIALS:
 CLAMPS: MALLEABLE OR DUCTILE IRON.
 U-BOLTS: STEEL.
 BRAIDS: TINNED COPPER.

FINISH:
 CLAMPS AND U-BOLTS ARE HOT DIP GALVANIZED.

GROUNDING & BONDING JUMPERS FOR RIGID STEEL, IMC & EMT



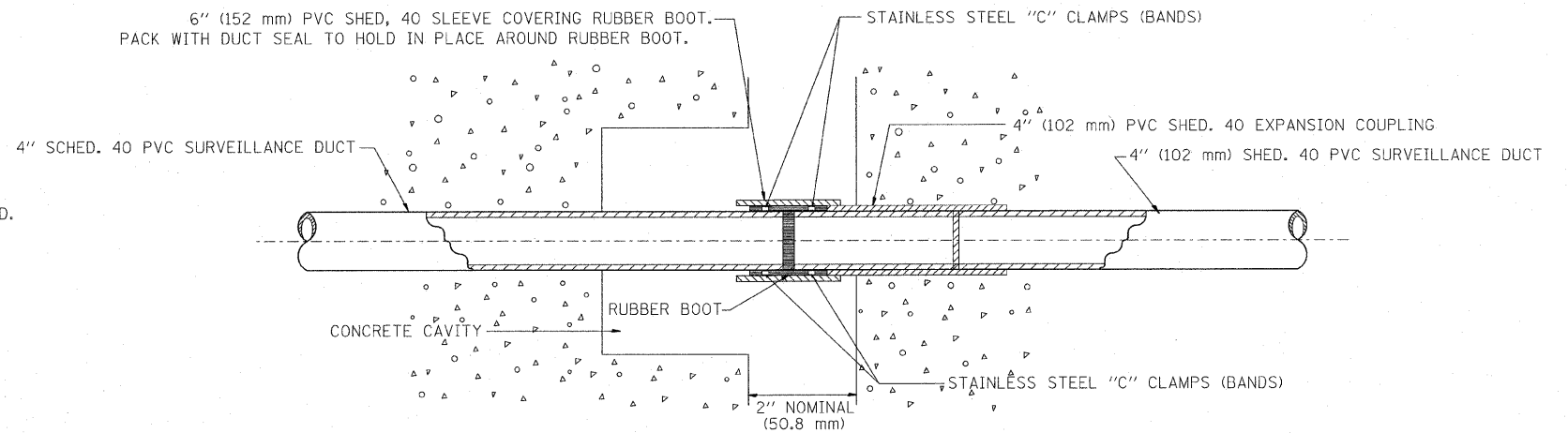
CROSS SECTION

BONDING

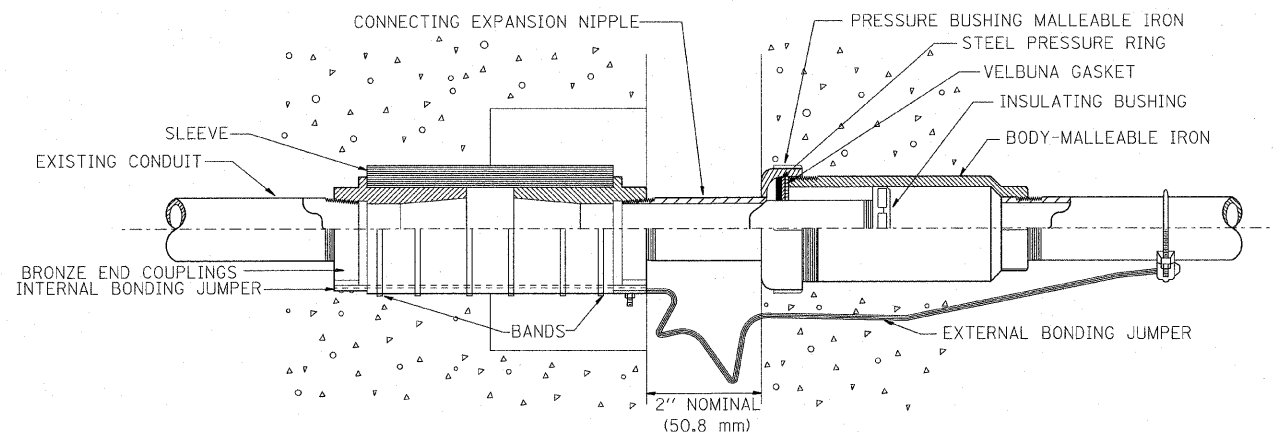
EXPANSION FITTINGS

MATERIALS:
 HEAD: MALLEABLE OR DUCTILE IRON.
 SLEEVE: STEEL.
 INSULATING BUSHING: PHENOLIC.

FINISH:
 HOT DIP GALVANIZED.



EXPANSION/DEFLECTION FITTING



COMBINATION DEFLECTION/EXPANSION FITTINGS FOR RIGID METAL CONDUIT & IMC

FITTING CAN BE USED EXPOSED OR EMBEDDED IN CONCRETE.

MATERIALS:
 SLEEVE: NEOPRENE.
 END COUPLINGS: BRONZE.
 BONDING JUMPER: TINNED COPPER BRAIDS.
 BANDS: STAINLESS STEEL.

FINISH:
 ALL MALLEABLE, DUCTILE IRON OR STEEL PARTS
 ARE HOT DIP GALVANIZED.

FILE NAME = C:\n186010\155TCTYP.DGN	USER NAME = rdahhan	DESIGNED - R.L.	REVISED - 03/99	STATE OF ILLINOIS DEPARTMENT OF TRANSPORTATION TRAFFIC SYSTEMS CENTER	EXPANSION FITTING DETAIL SHEET			F.A. RTE.	SECTION	COUNTY	TOTAL SHEETS	SHEET NO.	
P:\NP-07-1600-12\client\TSC Plans\SUB155TCTYP.dgn		DRAWN - G.M.	REVISED -		SCALE: NONE	SHEET NO.	OF	SHEETS	STA.	TO STA.	CONTRACT NO.		
		CHECKED - R.L.	REVISED -								FED. ROAD DIST. NO. [ILLINOIS] FED. AID PROJECT		
		DATE - 01/22/98	REVISED -										