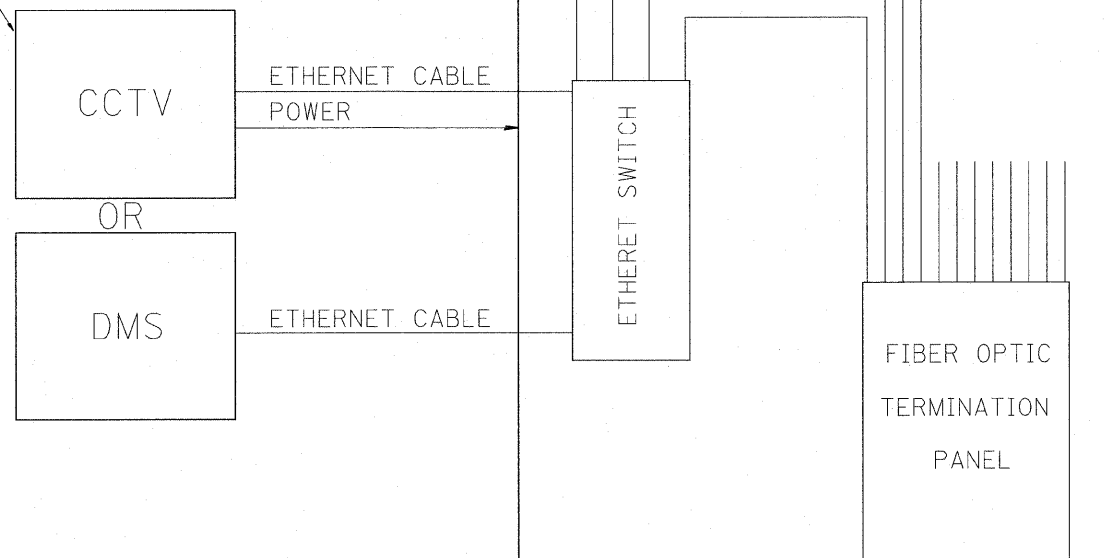
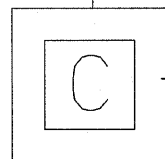


INSTALL 120V. 30AMP. CIRCUIT BREAKER IN CCTV CAB.



12 SM FIBERS



COMMUNICATION VAULT

FILE NAME = C:\dl06010\155TSC\TYP.DGN	USER NAME = rdahhan	DESIGNED - J.G.	REVISED -
P:\P-07-1600-12\Client\TSC Plans\SUB155TSC\TYP.dgn		DRAWN - G.M.	REVISED -
		CHECKED - J.G.	REVISED -
		DATE - 01/25/2010	REVISED -

STATE OF ILLINOIS
DEPARTMENT OF TRANSPORTATION
 TRAFFIC SYSTEMS CENTER

CCTV CABINET TYPE 3

SCALE: NONE SHEET NO. OF SHEETS STA. TO STA.

F.A. RTE.	SECTION	COUNTY	TOTAL SHEETS	SHEET NO.
			56	45
CONTRACT NO.				
FED. ROAD DIST. NO. ILLINOIS FED. AID PROJECT				

TRAFFIC SYSTEMS CENTER (TY-1TSC-400#49)