

Bar	"R"	"S"
h1(E)	7'-7"	23'-6"
h2(E)	7'-7"	20'-10"
h3(E)	7'-7"	17'-8"
h4(E)	7'-7"	14'-6"
h5(E)	7'-7"	11'-4"
h6(E)	7'-7"	8'-2"
h7(E)	7'-1 1/2"	22'-1"
h8(E)	7'-1 1/2"	19'-7"
h9(E)	7'-1 1/2"	16'-7"
h10(E)	7'-1 1/2"	13'-7"
h11(E)	7'-1 1/2"	10'-8"
h12(E)	7'-1 1/2"	7'-8"
w1(E)	7'-7"	24'-4"
w2(E)	6'-8"	21'-7"
w3(E)	5'-10"	18'-10"
w4(E)	4'-9"	15'-5"
w5(E)	3'-6"	11'-6"

Note: "R" and "S" measured along bar \varnothing
BARS w₁(E) thru w₅(E) & h₁(E) thru h₁₂(E)

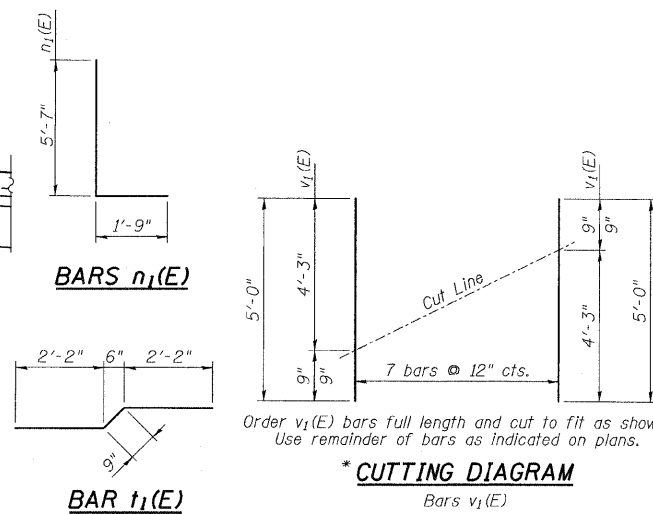
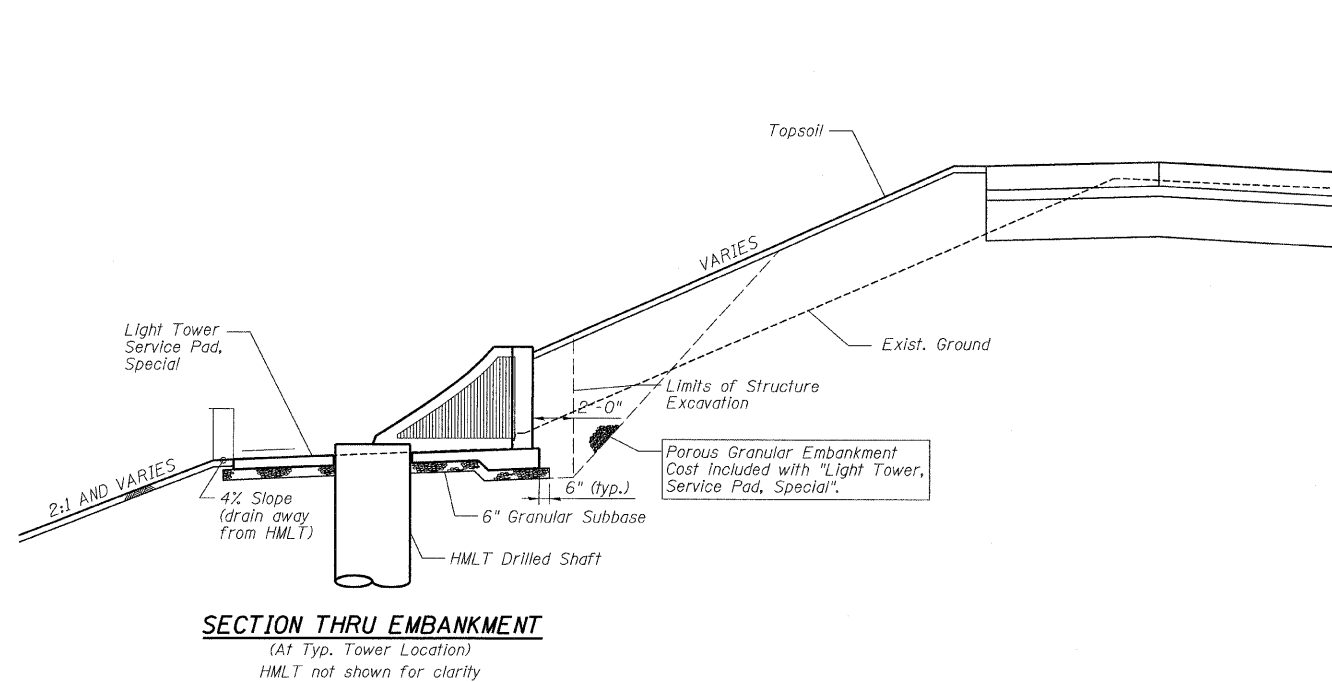
BILL OF MATERIAL

Light Tower Service Pad, Special with 5'-0" Wall

Bar	No.	Size	Length	Shape
h ₁ (E)	1	#5	23'-6"	⤿
h ₂ (E)	1	#5	20'-10"	⤿
h ₃ (E)	1	#5	17'-8"	⤿
h ₄ (E)	1	#5	14'-6"	⤿
h ₅ (E)	1	#5	11'-4"	⤿
h ₆ (E)	1	#5	8'-2"	⤿
h ₇ (E)	1	#4	22'-1"	⤿
h ₈ (E)	1	#4	19'-7"	⤿
h ₉ (E)	1	#4	16'-7"	⤿
h ₁₀ (E)	1	#4	13'-7"	⤿
h ₁₁ (E)	1	#4	10'-8"	⤿
h ₁₂ (E)	1	#4	7'-8"	⤿
n ₁ (E)	25	#6	7'-4"	⤿
t ₁ (E)	25	#6	5'-1"	⤿
v ₁ (E)	7	#4	5'-0"	⤿
v ₂ (E)	8	#4	4'-8"	⤿
w ₁ (E)	1	#5	24'-4"	⤿
w ₂ (E)	1	#5	21'-7"	⤿
w ₃ (E)	1	#5	18'-10"	⤿
w ₄ (E)	1	#5	15'-5"	⤿
w ₅ (E)	1	#5	11'-6"	⤿

NOTES

- F.F. and B.F. denote Front Face and Back Face, respectively.
- HMLT denotes High Mast Light Tower.
- See IDOT Standard Drawing BE501 for additional High Mast Light Tower foundation and ground well details.
- Reinforcement Bars designated (E) shall be epoxy coated.
- Refer to High Mast Light Tower Service Pad, Special & Retaining Wall Details 1 for location and orientation of conduit sleeves and grounding wells.
- Contractor shall maintain integrity of adjacent pavement as may be required in excavating for HMLT service pad walls.
- Provide Protective Coat to top, front face, exposed portion of back face, and ends of walls, and top and edges of pad.



Order v₁(E) bars full length and cut to fit as shown. Use remainder of bars as indicated on plans.

*** CUTTING DIAGRAM**
 Bars v₁(E)

BILL OF MATERIAL

Item	Unit	5' Total
Welded Wire Fabric	Sq. Yd.	18
Structure Excavation	Cu. Yd.	11
Concrete Structures	Cu. Yd.	7.2
Reinforcement Bars, Epoxy Coated	Pound	775
Rustication Finish	Sq. Ft.	55
Protective Coat	Sq. Yd.	29
Sub-Base Granular Material, Type B 6"	Sq. Yd.	22

TOTAL BILL OF MATERIAL

Item	Unit	Total
Light Tower, Service Pad, Special	Each	8

NEW SHEET SHEET E21

TYLIN INTERNATIONAL	USER NAME =	DESIGNED -	REVISED Δ - ADDENDUM 1 05/24/10
	PLOT SCALE =	DRAWN -	REVISED -
	PLOT DATE =	CHECKED -	REVISED -
		DATE - 3/18/2010	REVISED -

STATE OF ILLINOIS
DEPARTMENT OF TRANSPORTATION

I-57 AT I-294 INTERCHANGE PROJECT
HIGH MAST LIGHT TOWER SERVICE PAD & RETAINING WALL DETAILS

SCALE: SHEET NO. 2 OF 2 SHEETS STA. TO STA.

F.A.I. RTE.	SECTION	COUNTY	TOTAL SHEETS	SHEET NO.
57	1414.28	COOK	516	2094
FED. ROAD DIST. NO.			ILLINOIS FED. AID PROJECT	
			CONTRACT NO. 60J27	