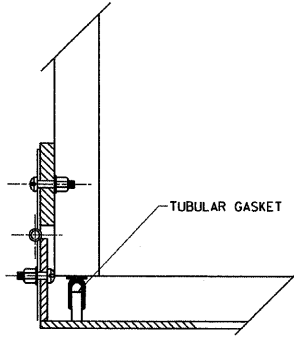
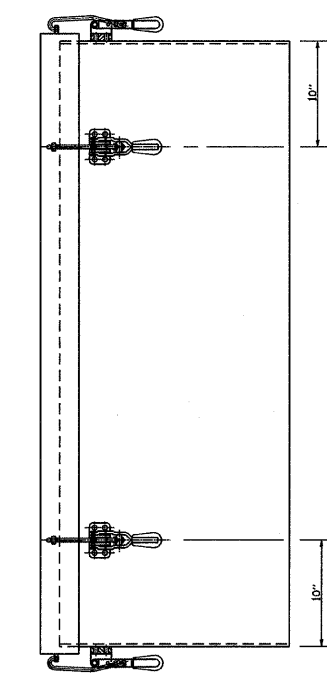


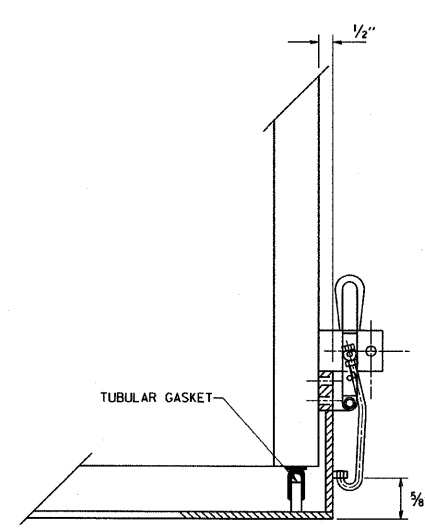
TOP VIEW



HINGE DETAIL

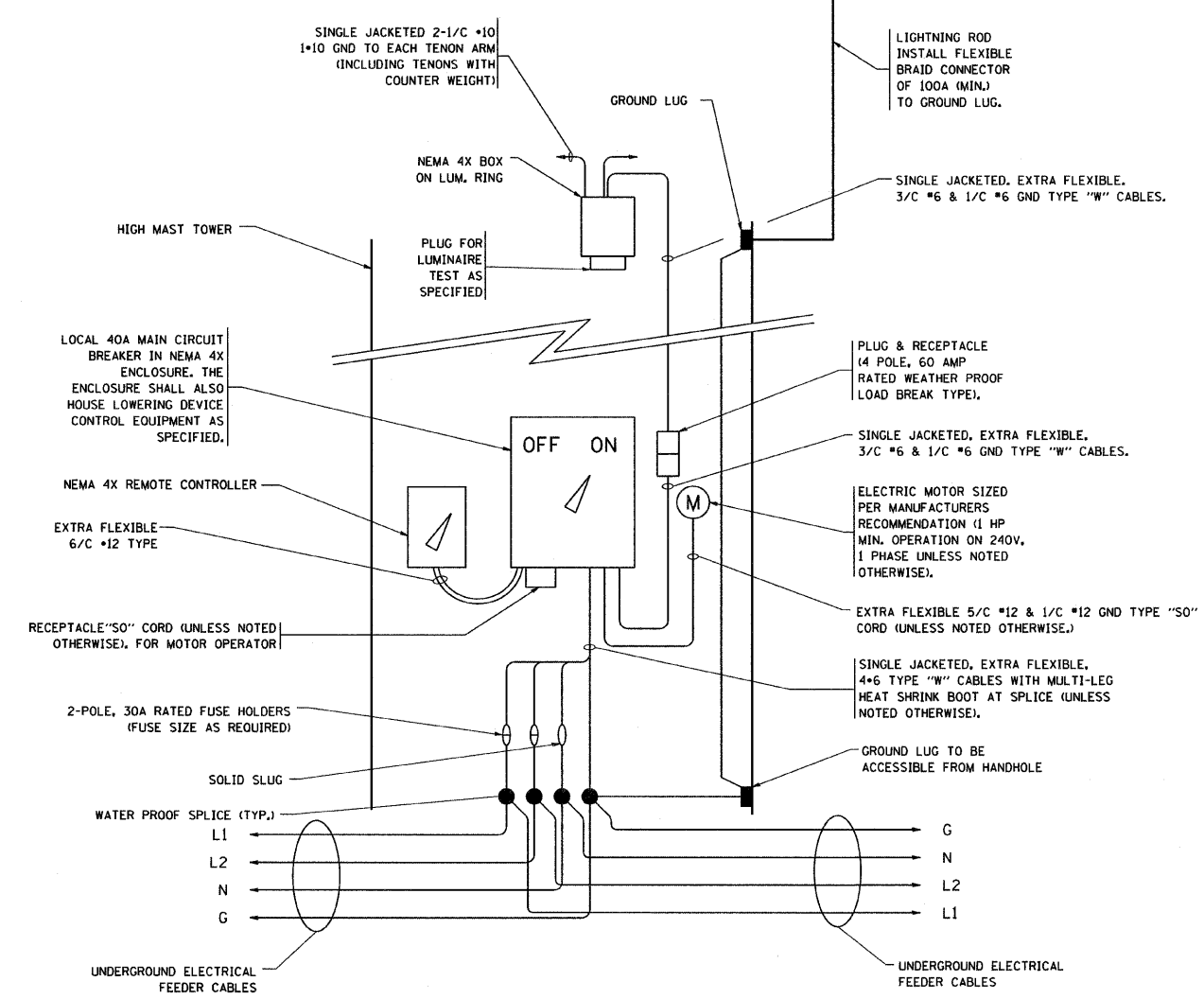


SIDE VIEW

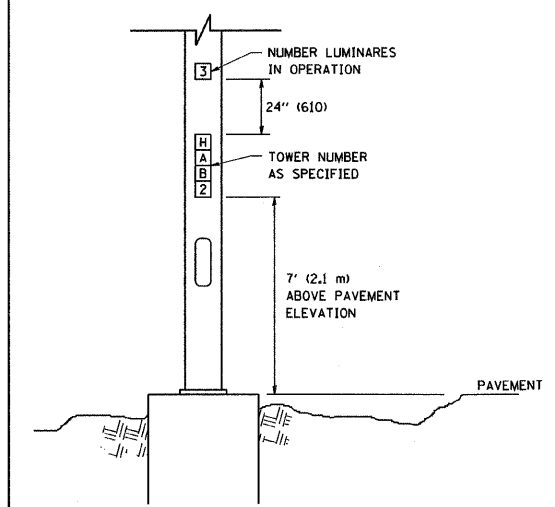


LATCH DETAIL

HANDHOLE DOOR DETAILS



HIGH MAST POLE WIRING DIAGRAM



LIGHT TOWER NUMBERING DETAIL

FILE NAME = W:\dstata\22x34\be50b.dgn	USER NAME = geglienobt	DESIGNED -	REVISED - 09-02-03
		DRAWN -	REVISED -
	PLOT SCALE = 50.0000' / IN.	CHECKED -	REVISED -
	PLOT DATE = 1/4/2008	DATE -	REVISED -

**STATE OF ILLINOIS  
DEPARTMENT OF TRANSPORTATION**

**HIGH MAST LIGHT TOWER  
130 FT TO 150 FT (40 m TO 45.5)**

SCALE: NONE    SHEET NO. 3 OF 3 SHEETS    STA.    TO STA.

F.A. RTE. = 57	SECTION = 1414.2B	COUNTY = Cook	TOTAL SHEETS = 516	SHEET NO. = 210I
BE-505		CONTRACT NO. 60J27		
FED. ROAD DIST. NO. 1 ILLINOIS FED. AID PROJECT				