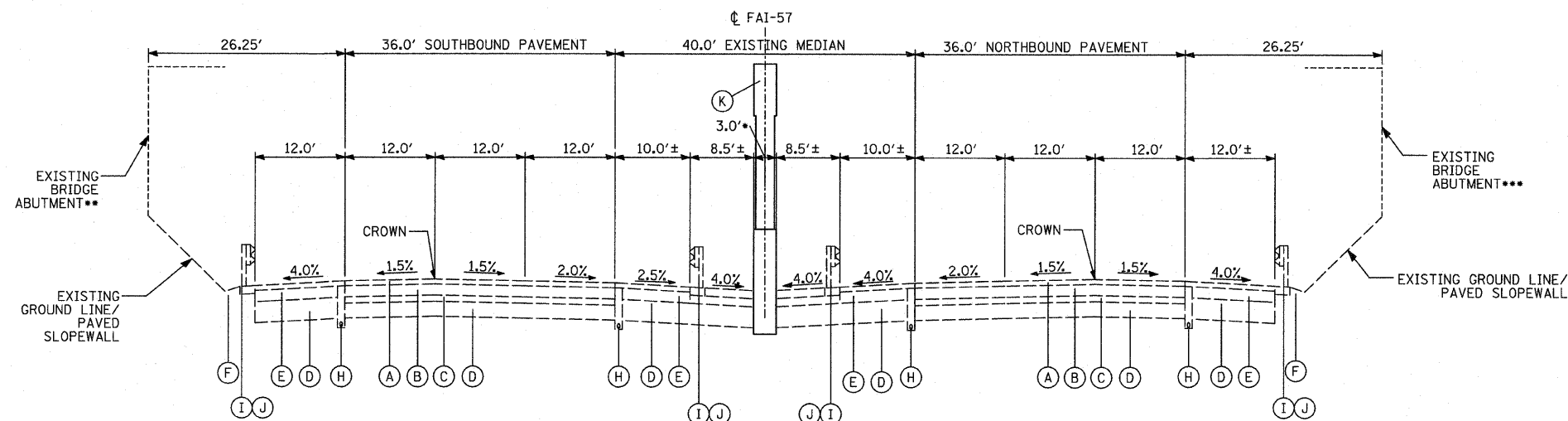


**EXISTING I-57**  
 1173+27.66 - 1264+29.43

BRIDGE OMISSION: STA. 1256+87.95 TO STA. 1260+08.29  
 BRIDGE OMISSION: STA. 1222+72.35 TO STA. 1225+50.83

- \* DOUBLE-FACE GUARDRAIL FROM STA. 1173+27 TO STA. 1190+73
- SINGLE-FACE GUARDRAIL FROM STA. 1219+20 TO STA. 1224+99
- SINGLE-FACE GUARDRAIL FROM STA. 1229+72 TO STA. 1233+12
- SINGLE-FACE GUARDRAIL FROM STA. 1242+41 TO STA. 1245+80
- SINGLE-FACE GUARDRAIL FROM STA. 1256+51 TO STA. 1257+54
- SINGLE-FACE GUARDRAIL FROM STA. 1259+71 TO STA. 1262+40
- \*\* DOUBLE-FACE GUARDRAIL FROM STA. 1173+27 TO STA. 1252+35
- SINGLE-FACE GUARDRAIL FROM STA. 1252+35 TO STA. 1257+22
- SINGLE-FACE GUARDRAIL FROM STA. 1259+81 TO STA. 1271+05
- \*\*\* SINGLE-FACE GUARDRAIL FROM STA. 1173+27 TO STA. 1173+69
- SINGLE-FACE GUARDRAIL FROM STA. 1187+54 TO STA. 1189+45
- SINGLE-FACE GUARDRAIL FROM STA. 1220+63 TO STA. 1223+79
- SINGLE-FACE GUARDRAIL FROM STA. 1252+35 TO STA. 1257+15
- \*\*\*\* DOUBLE-FACE GUARDRAIL FROM STA. 1173+27 TO STA. 1185+43
- SINGLE-FACE GUARDRAIL FROM STA. 1220+45 TO STA. 1223+47
- SINGLE-FACE GUARDRAIL FROM STA. 1227+19 TO STA. 1230+35
- SINGLE-FACE GUARDRAIL FROM STA. 1242+70 TO STA. 1244+34
- SINGLE-FACE GUARDRAIL FROM STA. 1252+06 TO STA. 1256+88
- SINGLE-FACE GUARDRAIL FROM STA. 1259+44 TO STA. 1260+58



**I-57**  
 I-57 UNDER KEDZIE AVE.  
 1222+72.35 - 1225+50.83

- \* EXISTING BRIDGE PIER FROM STA. 1222+73.63 TO 1223+40.77
- \*\* EXISTING BRIDGE ABUTMENT FROM STA. 1222+83.24 TO 1223+50.62
- \*\*\* EXISTING BRIDGE ABUTMENT FROM STA. 1222+64.07 TO 1223+30.96

NOTE:  
 RUMBLE STRIPS LOCATED ON INSIDE  
 AND OUTSIDE EXISTING SHOULDERS  
 FOR ENTIRE LENGTH OF PROJECT.  
 TO BE REMOVED AS PART OF SHOULDER  
 REHABILITATION. SEE MOT PLANS  
 FOR FURTHER INFORMATION.

**EXISTING LEGEND**

- (A) EXISTING HOT-MIX ASPHALT, 4"±
- (B) EXISTING CRC PAVEMENT, 9"
- (C) EXISTING STABILIZED SUB-BASE, 4"±
- (D) EXISTING AGGREGATE SUBGRADE, 12"±
- (E) EXISTING STABILIZED SHOULDER, 13"±
- (F) EXISTING AGGREGATE SHOULDER, TYPE B
- (G) EXISTING BARRIER MEDIAN
- (H) EXISTING PIPE UNDERDRAIN, 6"
- (I) EXISTING GUARDRAIL
- (J) EXISTING GUARDRAIL STABILIZATION
- (K) EXISTING BRIDGE PIER

TYLIN INTERNATIONAL	USER NAME =	DESIGNED - CAC	REVISED -	STATE OF ILLINOIS DEPARTMENT OF TRANSPORTATION	I-57 AT I-294 INTERCHANGE PROJECT		F.A.I. NO. 57	SECTION 1414.2B	COUNTY COOK	TOTAL SHEETS 516	SHEET NO. 19
	PLOT SCALE =	DRAWN - CAC	REVISED -		EXISTING TYPICAL SECTIONS		SCALE: NTS	SHEET NO. 1 OF 2 SHEETS		CONTRACT NO. 60J27	
	PLOT DATE =	CHECKED - JDF	REVISED -		STA. TO STA.		FED. ROAD DIST. NO. ILLINOIS FED. AID PROJECT				
		DATE - 3/18/2010	REVISED -								