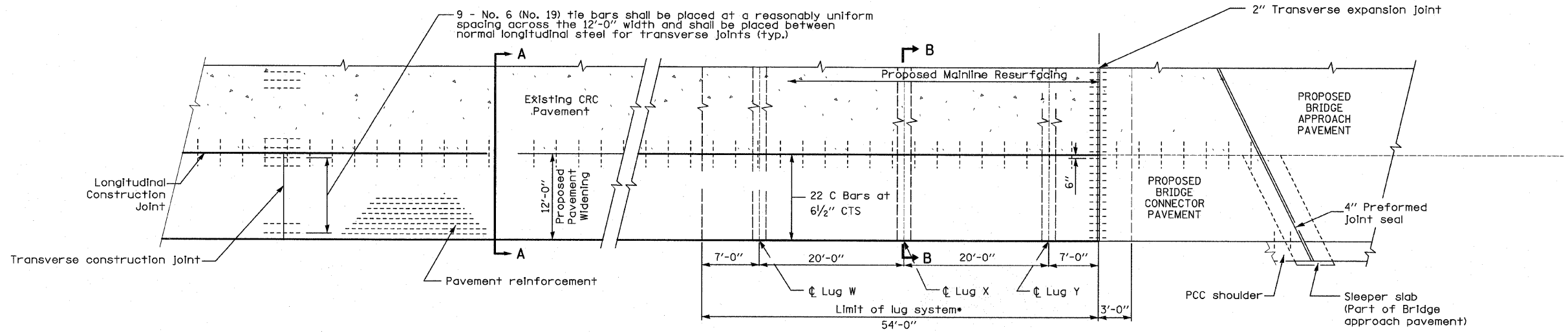
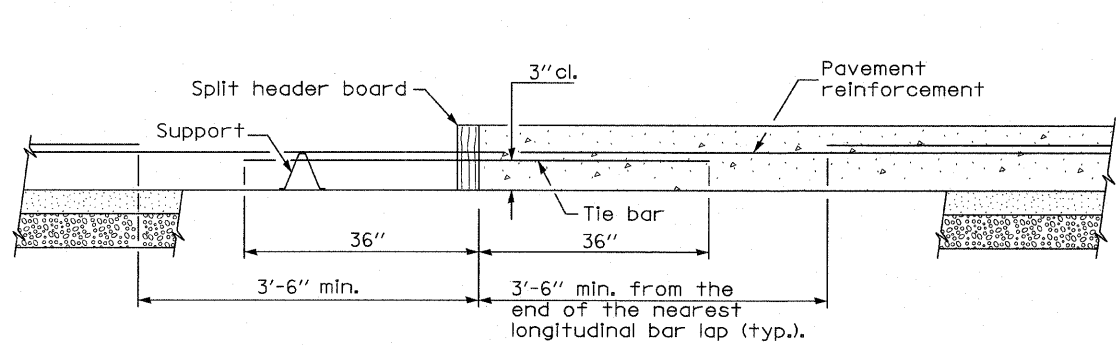


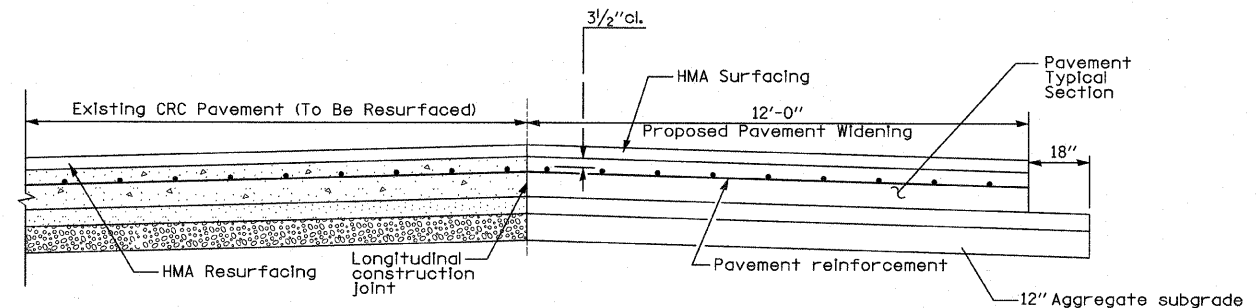
LUG SYSTEM COMPLETE



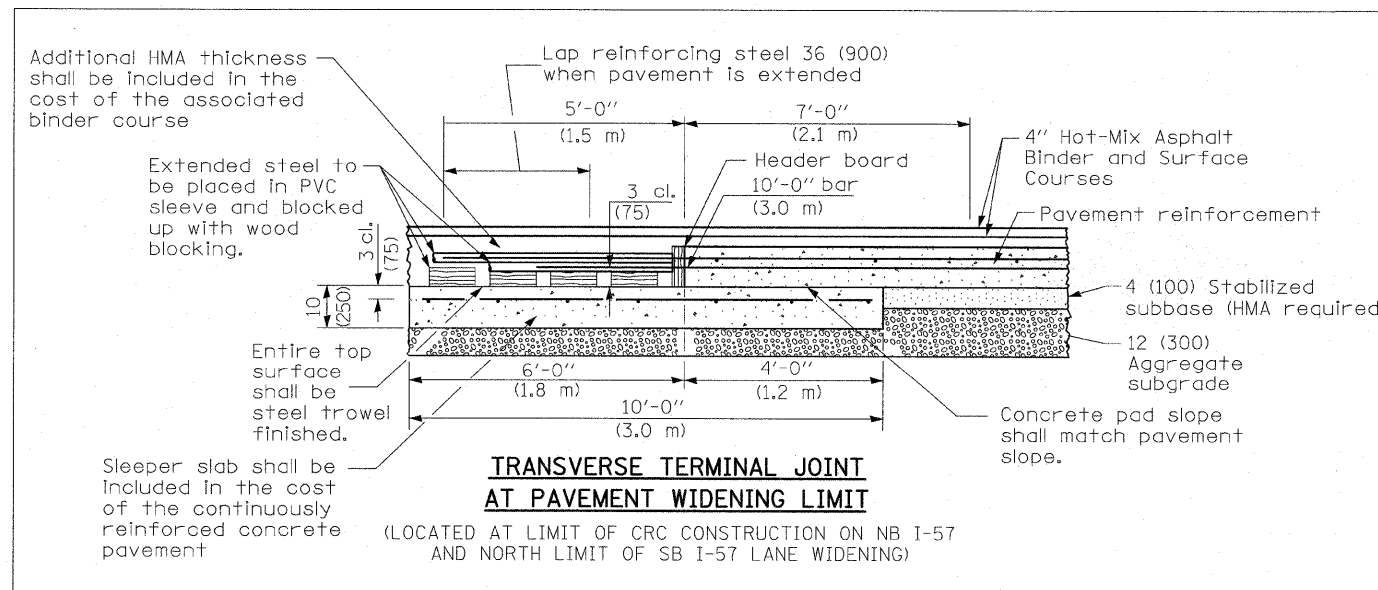
PLAN



TRANSVERSE CONSTRUCTION JOINT



SECTION A-A



TRANSVERSE TERMINAL JOINT AT PAVEMENT WIDENING LIMIT

(LOCATED AT LIMIT OF CRC CONSTRUCTION ON NB I-57 AND NORTH LIMIT OF SB I-57 LANE WIDENING)

GENERAL NOTES

See Standard 421001 for details of pavement reinforcement.
See Standards 420001 and 420401 for joint details not shown.
All dimensions are in inches unless otherwise shown.

*Contractor must verify location of existing lugs prior to construction of proposed lug system.

TYLIN INTERNATIONAL	USER NAME =	DESIGNED - JDU	REVISED -	STATE OF ILLINOIS DEPARTMENT OF TRANSPORTATION	I-57 AT I-294 INTERCHANGE PROJECT CRC PAVEMENT WITH LUG SYSTEM COMPLETE 12' AND TRANSVERSE TERMINAL JOINT AT PAVEMENT WIDENING	F.A.I. RTE.	SECTION	COUNTY	TOTAL SHEETS	SHEET NO.
	PLOT SCALE =	DRAWN - JDU	REVISED -			57	1414.2B	COOK	516	63
	PLOT DATE =	CHECKED - JPM	REVISED -			CONTRACT NO. 60J27				
		DATE - 3/18/2010	REVISED -			FED. ROAD DIST. NO.	ILLINOIS FED. AID PROJECT			
SCALE: NTS SHEET NO. 1 OF 2 SHEETS STA. TO STA.										