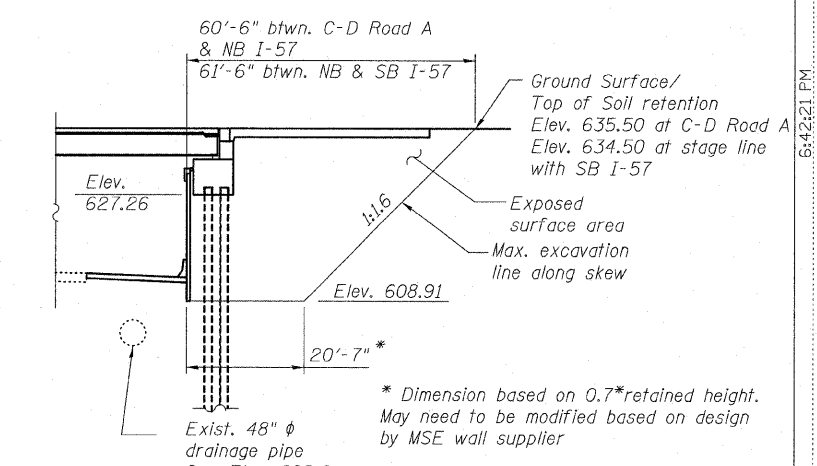
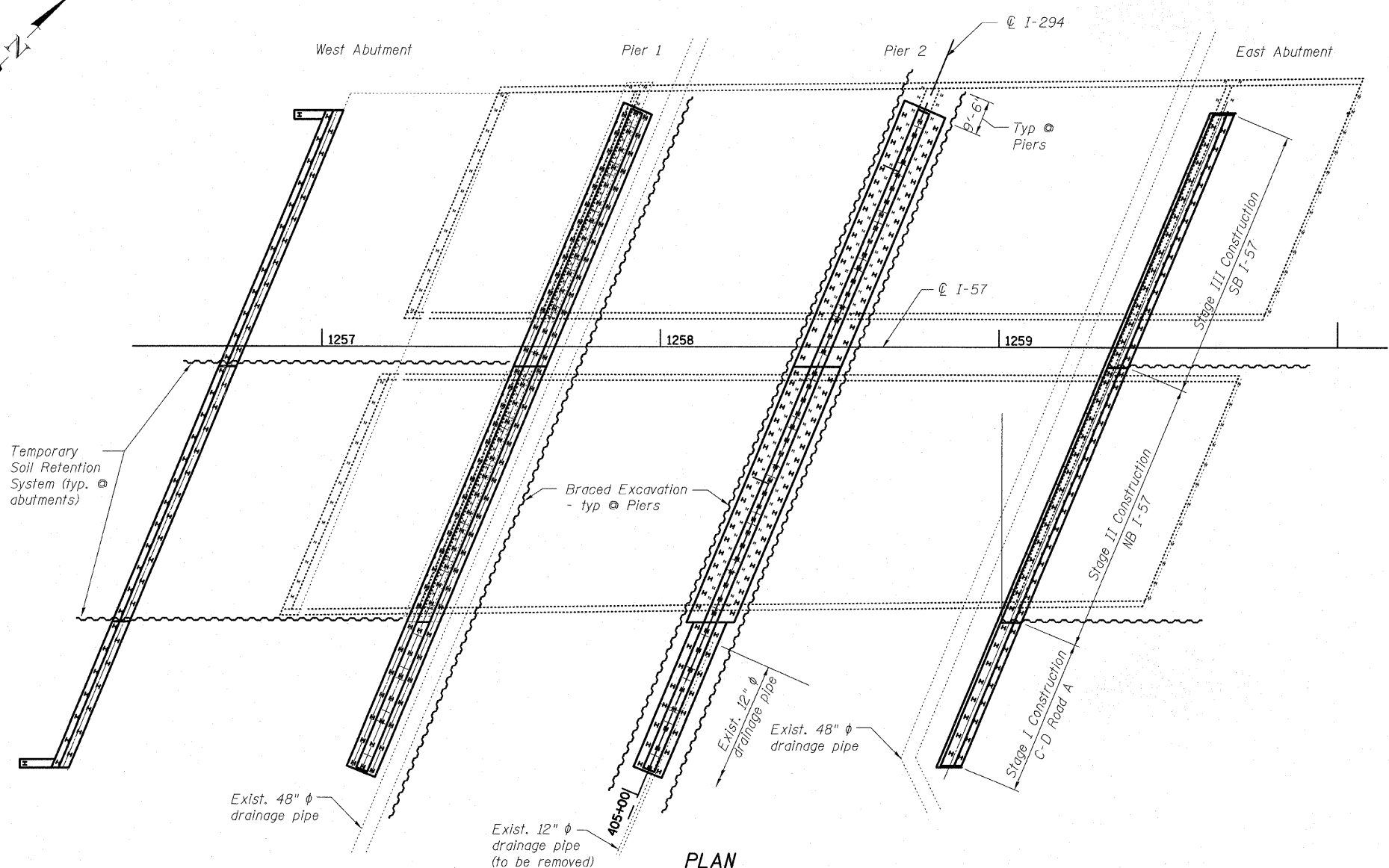
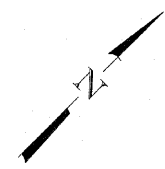


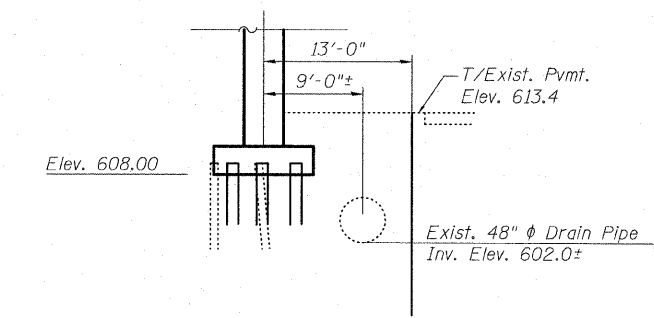
STATE OF ILLINOIS
DEPARTMENT OF TRANSPORTATION



TEMPORARY SOIL RETENTION SYSTEM AT EAST ABUTMENT

A cantilevered sheet piling design does not appear feasible and additional members or other retention systems may be necessary. The Contractor shall submit a temporary soil retention system design including plan details and calculations for review and acceptance by the Engineer.

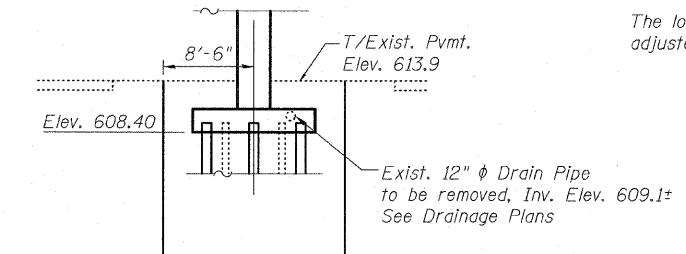
The temporary soil retention system between C-D Road A and NB I-57 shall be installed prior to Stage I Construction. The temporary soil retention system between NB and SB I-57 shall be installed prior to Stage II Construction.



BRACED EXCAVATION ALONG PIER 1

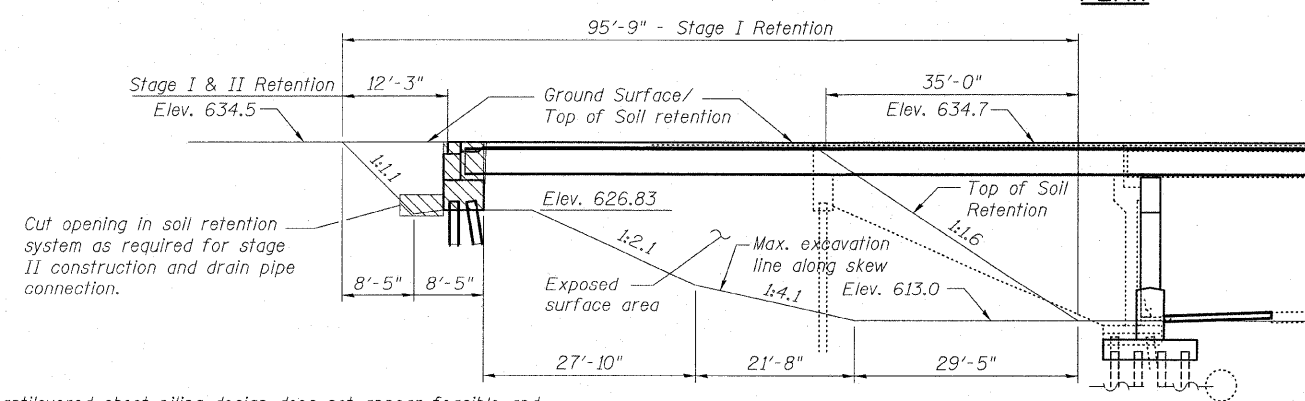
The Contractor shall field verify the location of the 48" ϕ drain pipe prior to the start of work.

The location of the Braced Excavation support may be adjusted as appropriate to clear the drain pipe.



BRACED EXCAVATION ALONG PIER 2

The Contractor shall field verify the location of the 12" ϕ drain pipe prior to the start of work.



TEMPORARY SOIL RETENTION SYSTEM AT WEST ABUTMENT

A cantilevered sheet piling design does not appear feasible and additional members or other retention systems may be necessary. The Contractor shall submit a temporary soil retention system design including plan details and calculations for review and acceptance by the Engineer.

STAGE CONSTRUCTION DETAILS STRUCTURE NO. 016-1251

TYLIN INTERNATIONAL	DESIGNED - SP	REVISIONS		SHEET NO. 4	F.A.I RTE. 57	SECTION 1414.2B	COUNTY COOK	TOTAL SHEETS 516	SHEET NO. 249
	CHECKED - SP,	NAME	DATE						
	DRAWN - SP								
	CHECKED - SP,PDF								
	DATE - 03/18/10								
				68 SHEETS	CONTRACT NO. 60J27				
					FED. ROAD DIST. NO. 1 ILLINOIS FED. AID PROJECT				

P:\602540\57-294\STRUCTURAL\I-57_OVER_1294_0161251-60J27-004-stage_const2.dgn 3/17/2010 6:42:21 PM