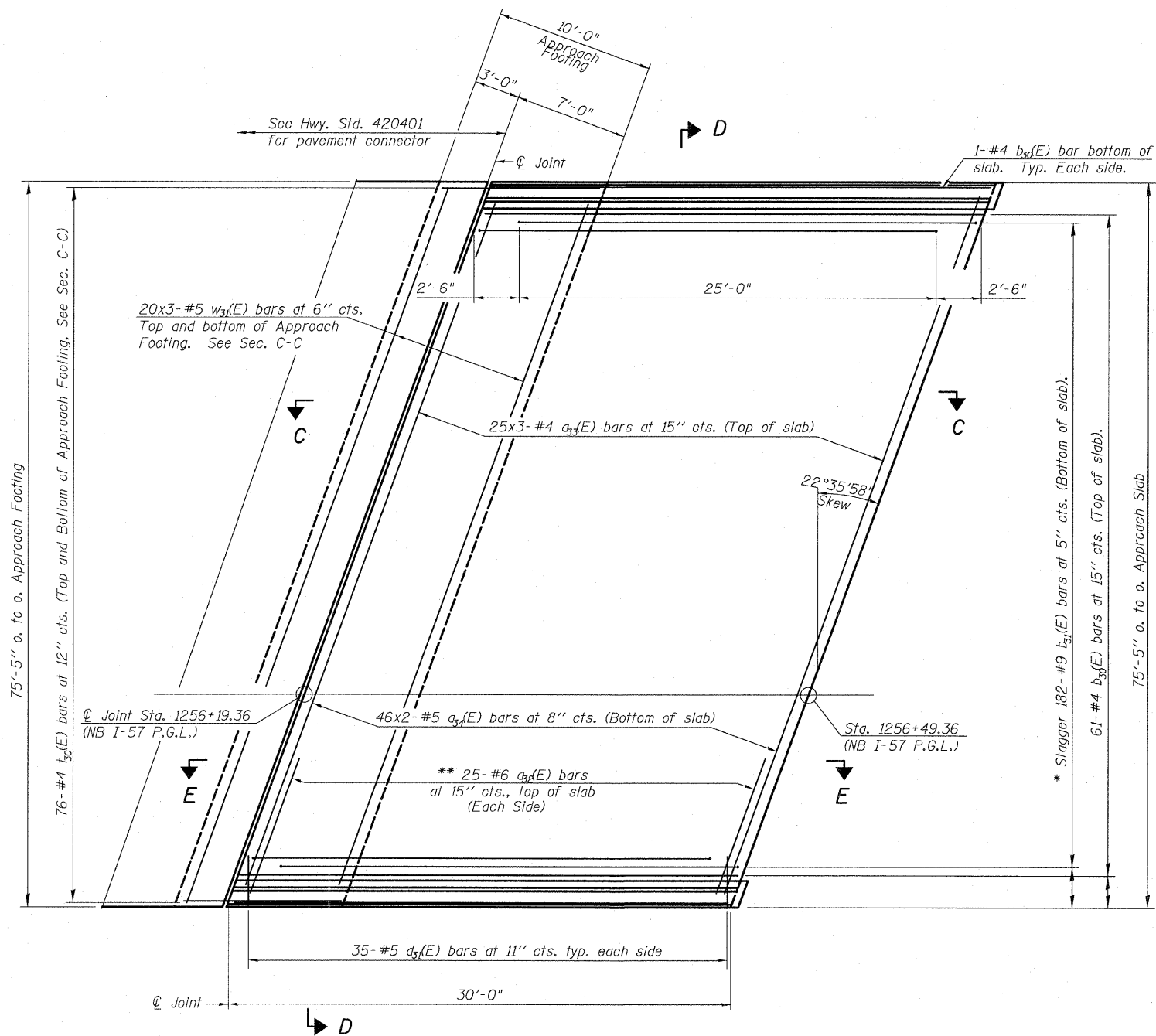


STATE OF ILLINOIS
DEPARTMENT OF TRANSPORTATION

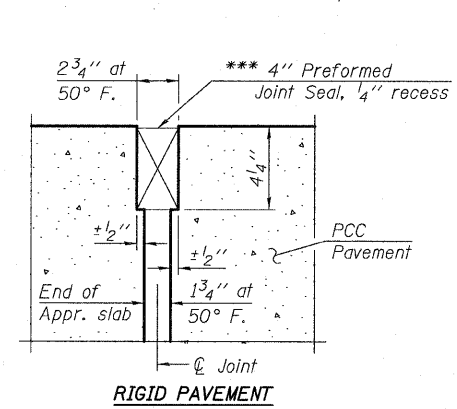
- Notes:
1. See sheet 26 of 68 for Sections C-C & D-D and View E-E.
2. $a_3(E)$ and $a_4(E)$ bar spacings measured along C Rdwy.
3. Bars indicated thus 20x3-#5 etc. indicates 20 lines of bars with three lengths per line



PLAN

- * Tilt #9 $b_1(E)$ bars as required to maintain clearance.
** Space between $a_{33}(E)$ bars, typ. each parapet.

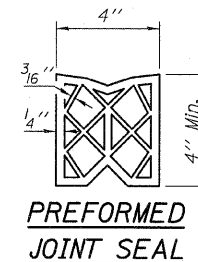
*** Cost included with Concrete Superstructure.



DETAIL A

Minimum Bar Laps

- #4 Bar 2'-11"
#5 Bar 3'-3"



WEST APPROACH SLAB NB I-57 - 1
STRUCTURE NO. 016-1251

TYLIN INTERNATIONAL	DESIGNED - JMA	REVISIONS		SHEET NO. 25 68 SHEETS	F.A.I RTE. 57	SECTION 1414.2B	COUNTY COOK	TOTAL SHEETS 516	SHEET NO. 270
	CHECKED - SP,	NAME	DATE						
	DRAWN - JMA								
	CHECKED - SP,PDF								
	DATE - 03/18/10								
					CONTRACT NO. 60J27				
					FED. ROAD DIST. NO. 1 ILLINOIS FED. AID PROJECT				

P:\602540\67-294\STRUCTURAL\I-57_OVER_1294\0161251-60127-025-W_APPR3.dgn

3/17/2010