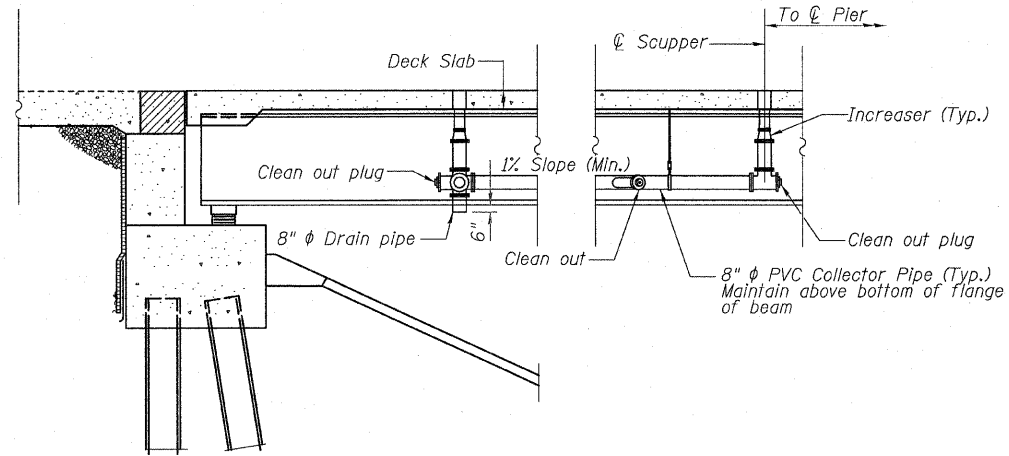
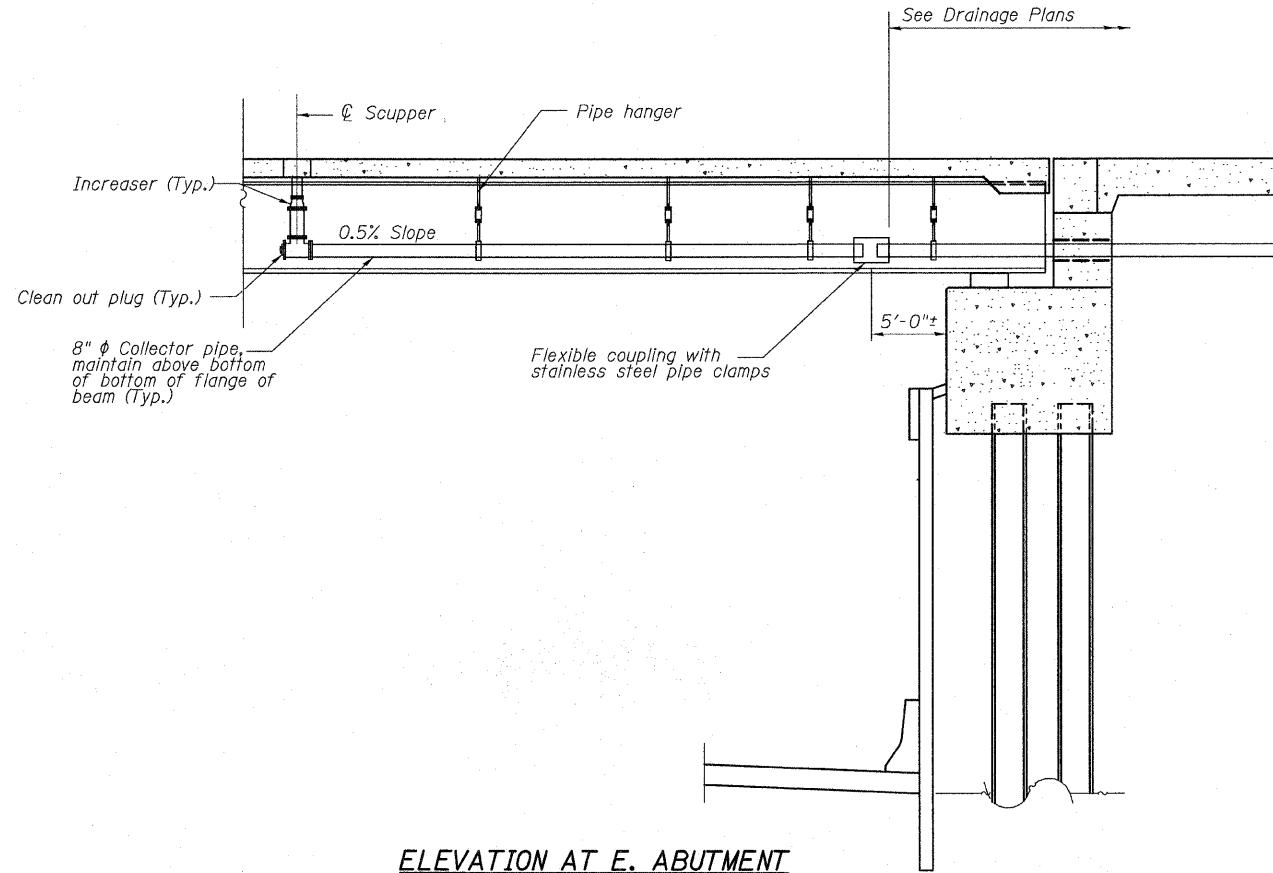


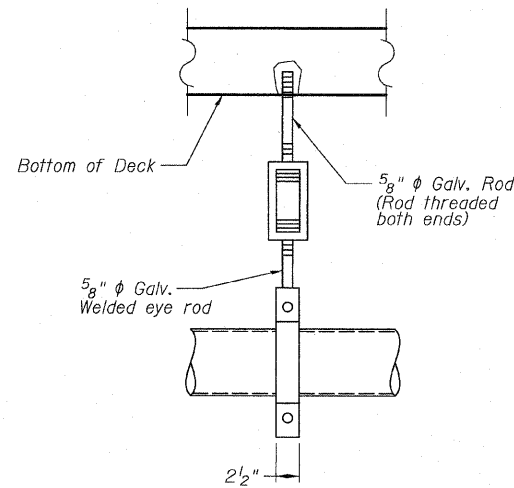
STATE OF ILLINOIS
DEPARTMENT OF TRANSPORTATION



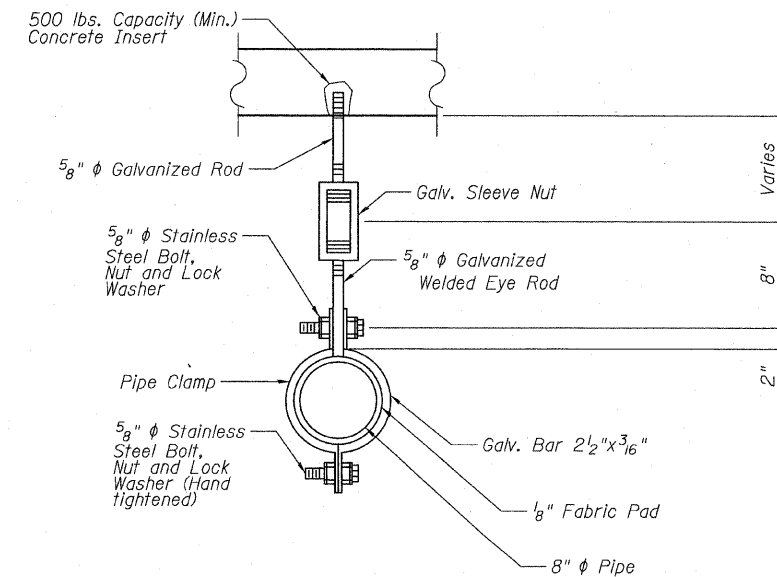
ELEVATION AT W. ABUTMENT



ELEVATION AT E. ABUTMENT



ELEVATION



TYPICAL SECTION

PIPE HANGER DETAIL

DRAINAGE DETAILS
STRUCTURE NO. 016-1251

NOTES:

1. See sheets 18 thru 20 of 68 for location of scuppers.
2. See Special Provisions for additional information.
3. Contractor to provide shop drawings for drainage system.

TYLIN INTERNATIONAL

DESIGNED -	JWX	REVISIONS	
CHECKED -	AD,LS	NAME	DATE
DRAWN -	JWX,EI		
CHECKED -	LS,SP,PDF		
DATE -	03/18/10		

SHEET NO. 36

62 SHEETS

F.A.I. RTE.	SECTION	COUNTY	TOTAL SHEETS	SHEET NO.
57	1414.2B	COOK	516	281
CONTRACT NO. 60J27				
FED. ROAD DIST. NO. 1 ILLINOIS FED. AID PROJECT				

10:16:52 AM

P:\602540\67-294\STRUCTURAL\1-57 OVER 1294\0161251-60J27-036-DRNDT.dwg

3/18/2010