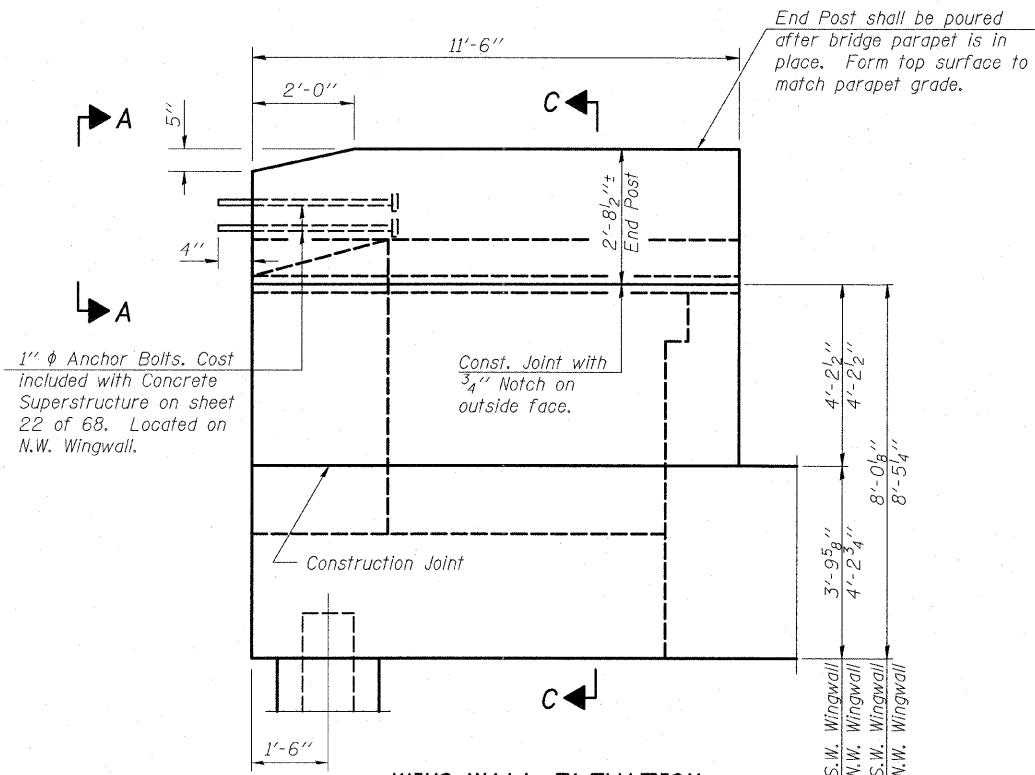
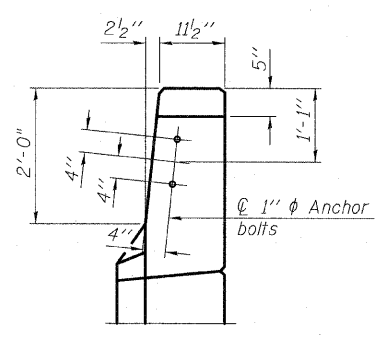


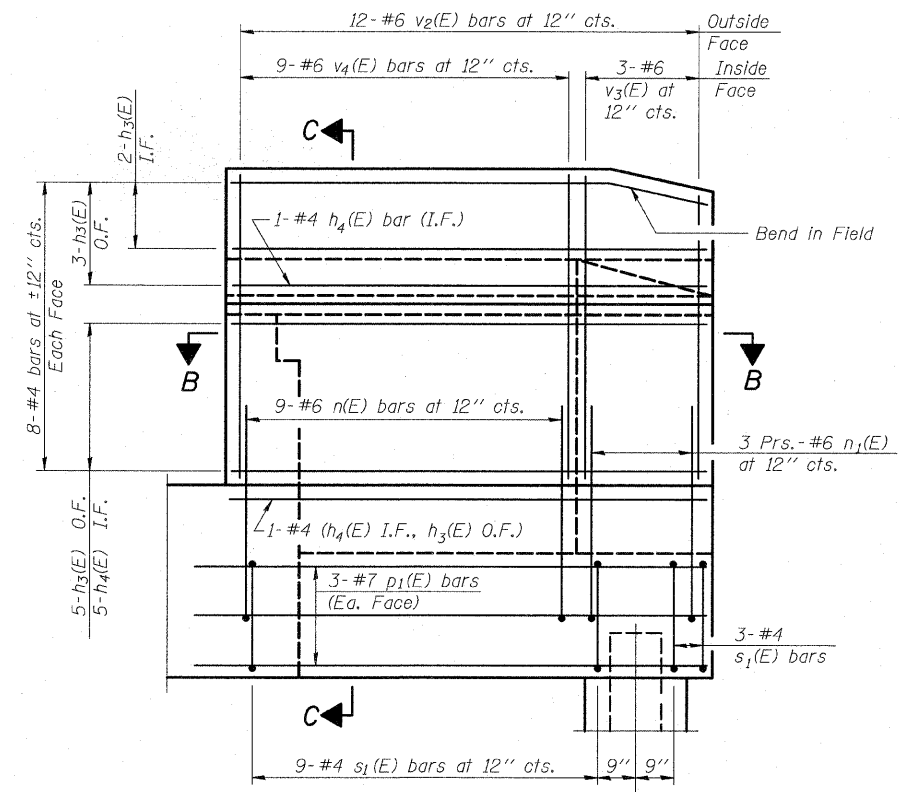
STATE OF ILLINOIS  
DEPARTMENT OF TRANSPORTATION



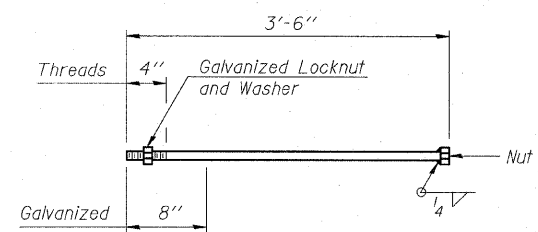
**WING WALL ELEVATION**  
Showing Dimensions



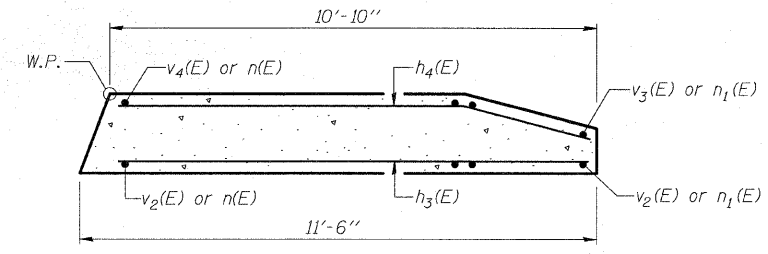
**VIEW A-A**



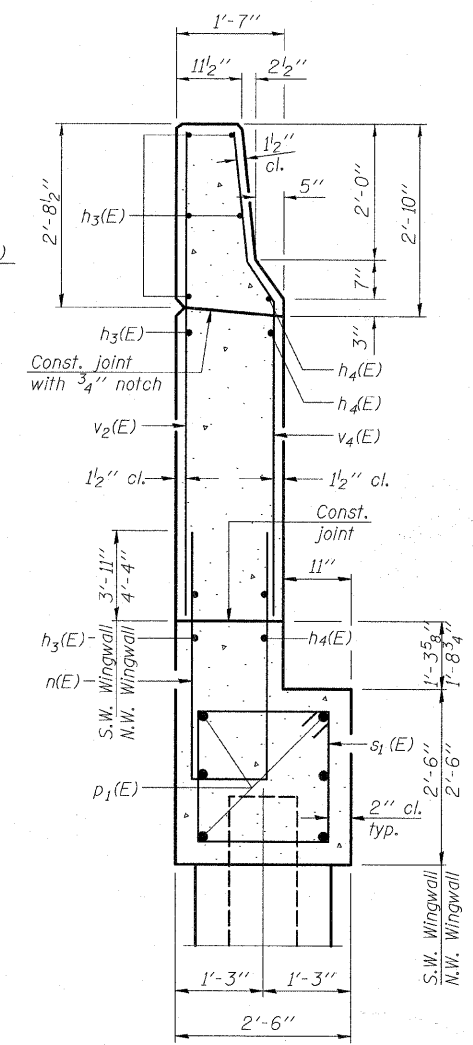
**WING WALL ELEVATION**  
Showing Reinforcement



**1"  $\phi$  ANCHOR BOLT**



**SECTION B-B**



**SECTION C-C**

For notes, see sheet 44 of 68.

**WEST ABUTMENT DETAILS**  
**STRUCTURE NO. 016-1251**

<b>TYLIN INTERNATIONAL</b>	DESIGNED - EKH	REVISIONS		SHEET NO. 45	F.A.I. RTE.	SECTION	COUNTY	TOTAL SHEETS	SHEET NO.						
	CHECKED - SP.	NAME	DATE							57	1414.2B	COOK	516	290	
	DRAWN - EKH									68 SHEETS	CONTRACT NO. 60J27				
	CHECKED - SP,PDF										FED. ROAD DIST. NO. 1 ILLINOIS FED. AID PROJECT				
	DATE - 03/18/10														

F:\60254057-294\STRUCTURAL\1-57\_OVER\_1294\0161251-60J27-045-V-ABUT3.dwg 3/17/2010 7:03:48 PM