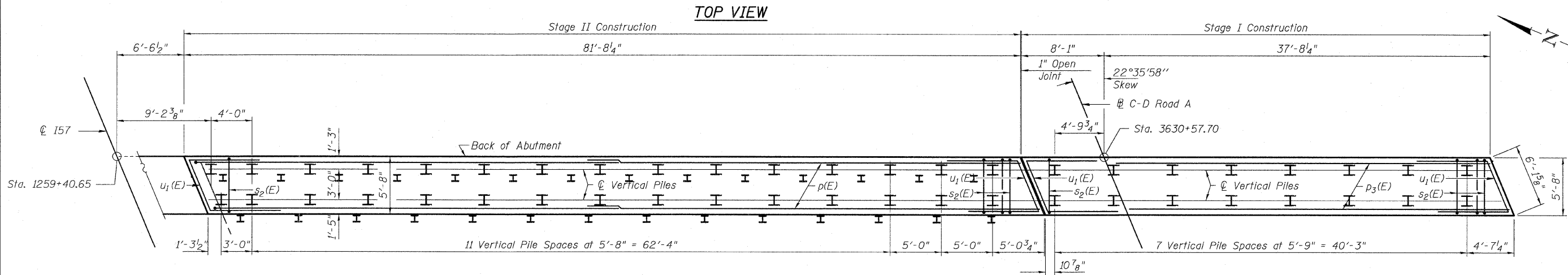
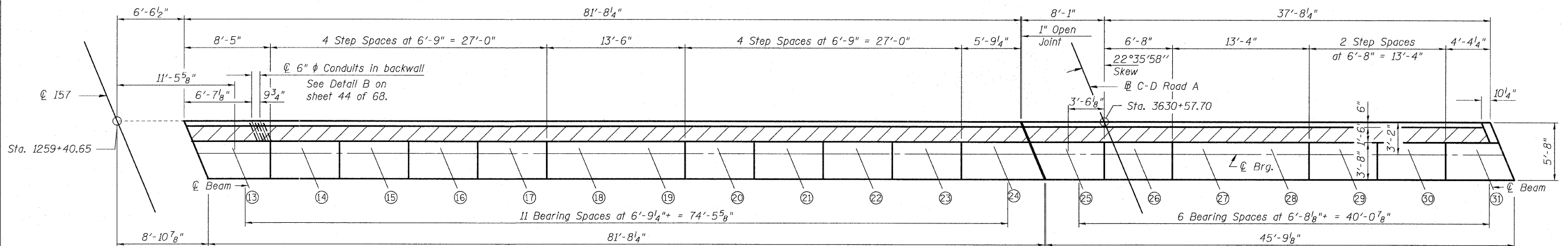
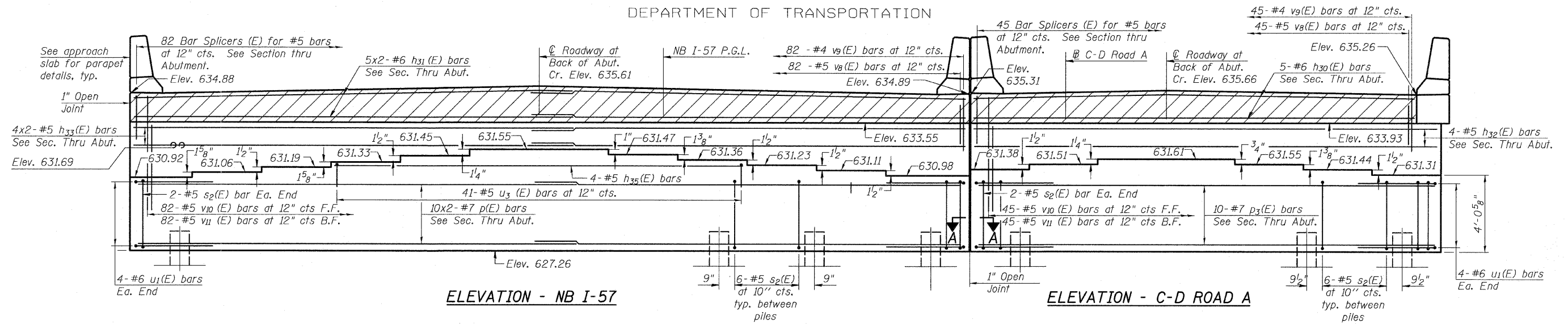


STATE OF ILLINOIS
DEPARTMENT OF TRANSPORTATION



EAST ABUTMENT - 1
STRUCTURE NO. 016-1251

For notes, see sheet 47 of 68.
For section A-A, see sheet 44 of 68.

TYLIN INTERNATIONAL	DESIGNED - EKH	REVISIONS		SHEET NO. 46	F.A.I RTE. 57	SECTION 1414.2B	COUNTY COOK	TOTAL SHEETS 516	SHEET NO. 291
	CHECKED - SP,	NAME	DATE						
	DRAWN - EKH								
	CHECKED - SP,PDF								
	DATE - 03/18/10								
				68 SHEETS	CONTRACT NO. 60J27				
					FED. ROAD DIST. NO. 1 ILLINOIS FED. AID PROJECT				

P:\602540167-294\STRUCTURAL\1-57_OVER_1294\0161251-60J27-046-E_ABUT1.dwg

3/17/2010