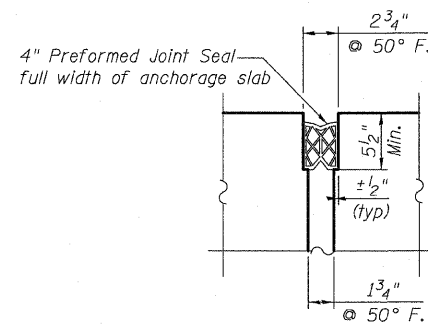
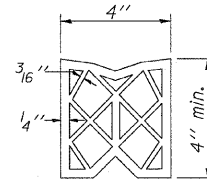


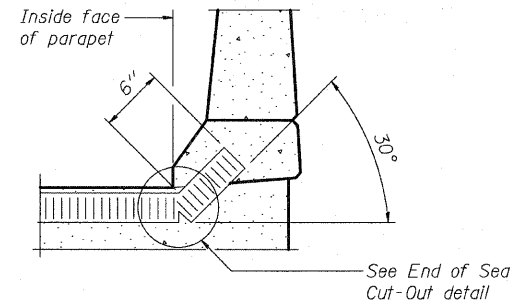
STATE OF ILLINOIS
DEPARTMENT OF TRANSPORTATION



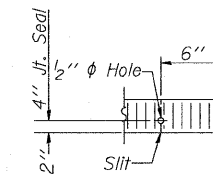
SECTION



PREFORMED JOINT SEAL

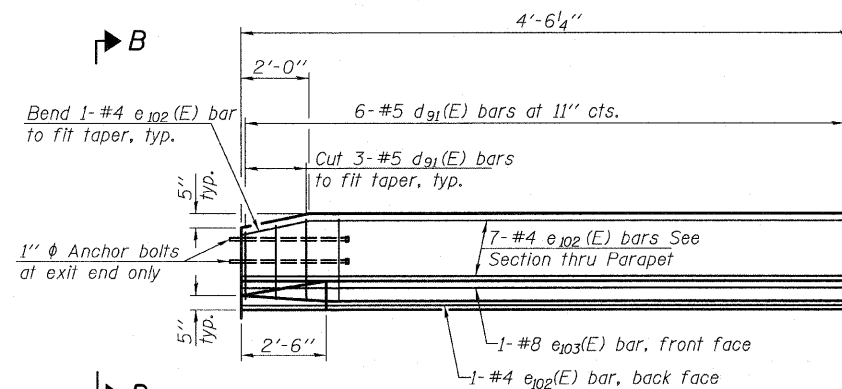


END OF SEAL TREATMENT AT PARAPET

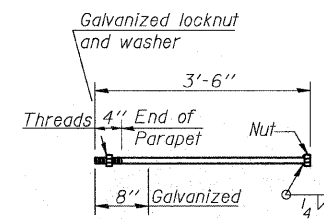


END OF SEAL CUT-OUT

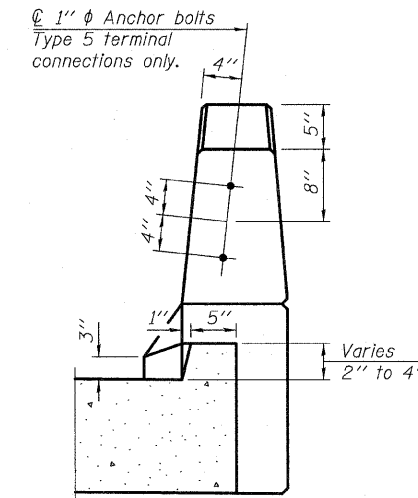
DETAIL - EXPANSION JOINT IN SLAB



INSIDE ELEVATION OF PARAPET
(C-D Road A)
(not to scale)



1" diameter ANCHOR BOLT
(Cost included with
Concrete Superstructure)



VIEW B-B

DETAIL - TYPE 5 TERMINAL CONNECTION

(Type 5 Terminals be installed in future contract)

ANCHORAGE SLAB DETAILS
S.N. 016-1252

TYLIN INTERNATIONAL	DESIGNED - DY	REVISIONS		SHEET NO. 36	F.A.I RTE. 57	SECTION 1414.2B	COUNTY COOK	TOTAL SHEETS 516	SHEET NO. 349
	CHECKED - AD,LS	NAME	DATE						
	DRAWN - DY,EI								
	CHECKED - LS,SP,PDF								
	DATE - 03/18/10								
					62 SHEETS		CONTRACT NO. 60J27		
					FED. ROAD DIST. NO. 1 ILLINOIS FED. AID PROJECT				

P:\60254057-294\STRUCTURAL\1-57 OVER RAMP BX\Final submittal_03-17-2010\Final submittal_03172010\0161251-60J27-036-ANCH-SLAB-DTL.dgn 9:54:31 AM 3/18/2010