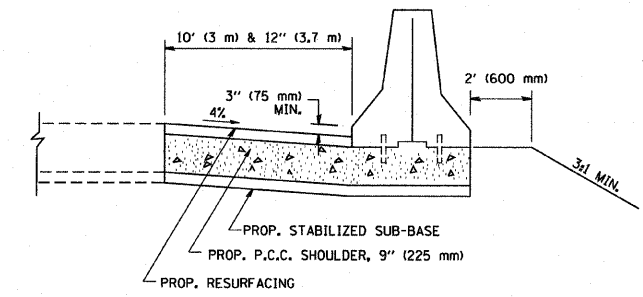
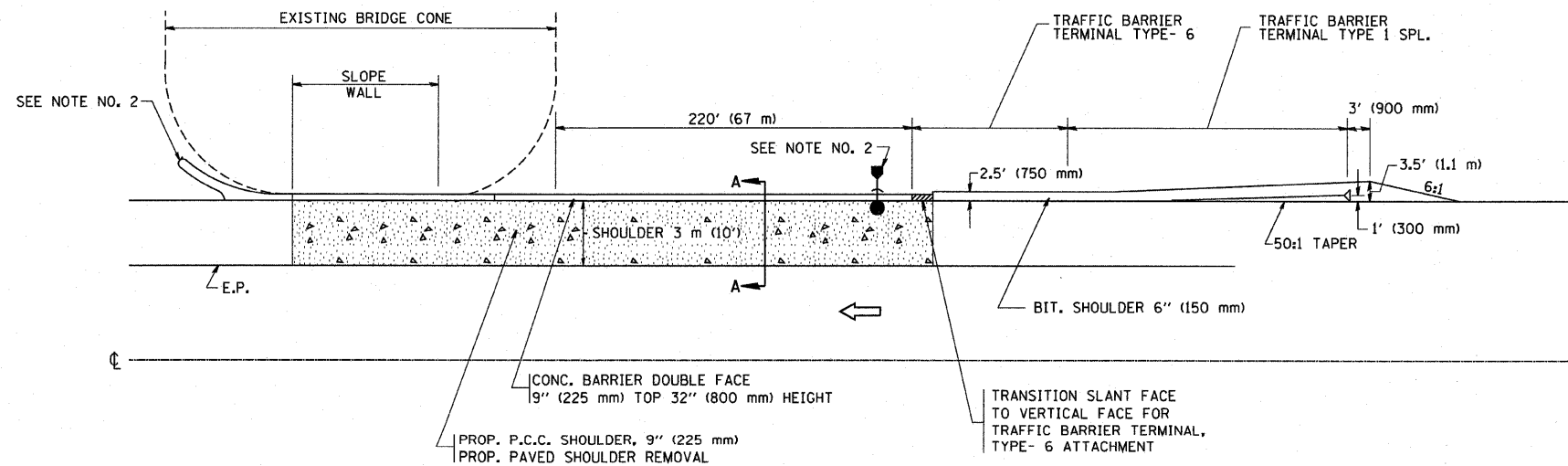


**CONC. BARRIER ADJACENT TO SLOPE WALL WITH PIER (DITCH SECTION)**



**SECTION A-A**



**CONC. BARRIER ADJACENT TO SLOPE WALL WITHOUT PIER (DITCH SECTION)**

**NOTE:**

1. SEE STATE STANDARD 630201 FOR STABILIZATION FOR GUARDRAIL.
- \*2. THE GUTTER OUTLET AND CATCH BASIN LOCATION IS DEPENDENT ON DIRECTION OF FLOW.
3. USE CONC. BARRIER SINGLE FACE IF CLEARANCE BETWEEN PIER AND SHOULDER IS LESS THAN 27" (685 mm).
4. SEE STATE STANDARD 637001 FOR CONCRETE BARRIER.

- \* CATCH BASIN TYPE C, TYPE 24 FRAME AND GRATE
- \* STORM SEWERS, 12" (300 mm)
- \* END SECTIONS, 12" (300 mm)

FILE NAME = W:\distatd\22x34\bd29.dgn	USER NAME = geglianobt	DESIGNED -	REVISED -	<b>STATE OF ILLINOIS DEPARTMENT OF TRANSPORTATION</b>	<b>CONCRETE BARRIER PIER AND SLOPE WALL PROTECTION DETAIL</b>	F.A.# RTE.	SECTION	COUNTY	TOTAL SHEETS	SHEET NO.
PLOT SCALE = 50.0000' / IN.	CHECKED -	REVISED -	87			1414.25	COOK	516	382	
PLOT DATE = 1/4/2008	DATE = 10-18-02	REVISED -	BD600-08 (BD29)			CONTRACT NO. 60327				
						SCALE: NONE	SHEET NO. 1 OF 1 SHEETS	STA.	TO STA.	FED. ROAD DIST. NO. 1   ILLINOIS   FED. AID PROJECT